



In large areas and shopping centres, light should be agreeable to the eye, and enhance the characteristics of the products on display.

Housing: Die-cast aluminium with cooling fins.

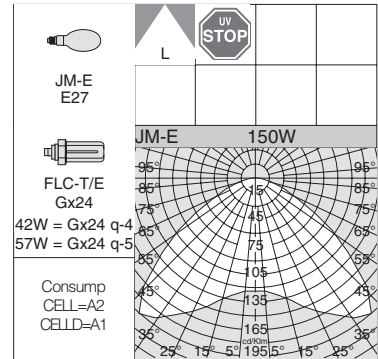
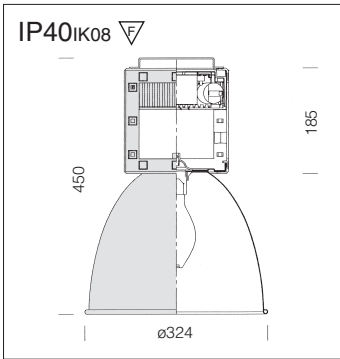
Coating: Fluid-coated with a humidity resistant, UV-stabilised acrylic-resin paint.

Lampholder: Ceramic with silver-plated contacts, or polycarbonate with phosphorous bronze contacts.

Electric gear: 230-240V/50-60Hz power supply with thermal protection. Hard wire, cross section 0.50 sqmm. 2P + T terminal block (maximum allowed lead cross section 2,5 sqmm).

Regulations: Manufactured in accordance with standards EN60598 – CEI 34 –21. Degree of protection in accordance with standards EN60529.

Lamps: Supplied with discharge lamps (protected open fixture use lamp for Compendio G), and compact fluorescent lamps and SPOTLED.



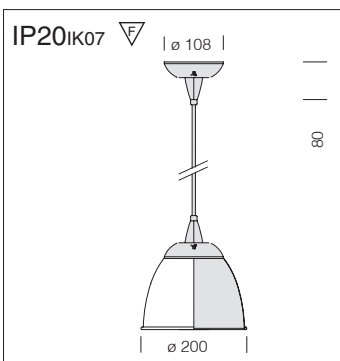
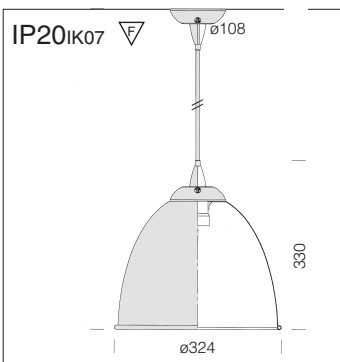
Cable length 5.0m

Diffuser: Metallized inside and painted outside.



Compendio A						
		CELL		CELL-D		Lamps (Ta=25°C)
wattage	colour	weight	code	weight	code	Kelvin - h - ølm - Ra
JM-E 150	m. silver	6.00	22221373-00			3000K - 12900 lm
FLC-T/E 1x42	m. silver	4.00	22221374-00	5.00	22221374-12	3000K - 3200 lm - Ra 1a
FLC-T/E 1x57	m. silver	4.50	22221375-00			3000K - 4300 lm - Ra 1a

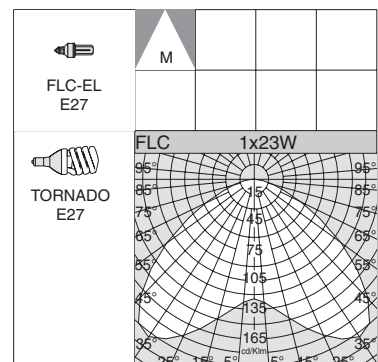
Electronic version is to be used for improved visual comfort.



Cable length 1,4m max.

Diffuser: Metallized inside and painted outside.

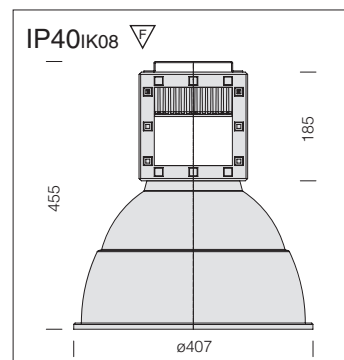
With base.



Compendio S			
		S	
wattage	colour	weight	code
FLC-EL 23	m. silver	2.00	22221376-00
		S+L	
FLC-EL 32	arg. mét.	2.50	22221372-00

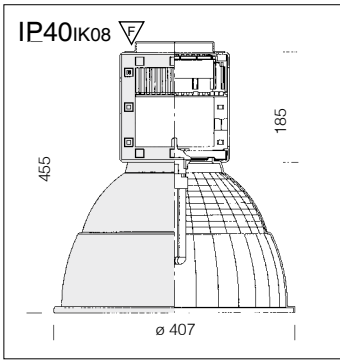
Compendio XS			
		S	
wattage	colour	weight	code
FLC-EL max15	m. silver	1.00	22221371-00





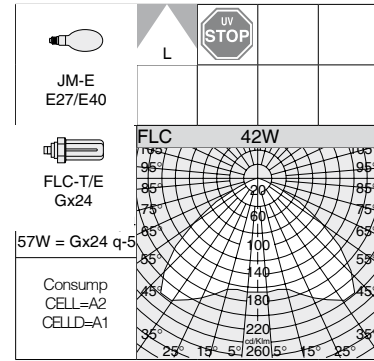
Cable length 5.0m
Diffuser: clear polycarbonate with a silk finish, metallized inside and painted outside (half reflector only).

Compendio G1 - SPOTLED dir/ind					
		CLD CELL		LED (Ta=25°C)	
wattage (500mA)	colour	weight	code	W tot.	K - olm 500mA - degrees
SPOTLED 18W	m. silver	6,00	22221278-00	18	3000 K - 700 lm - 26°



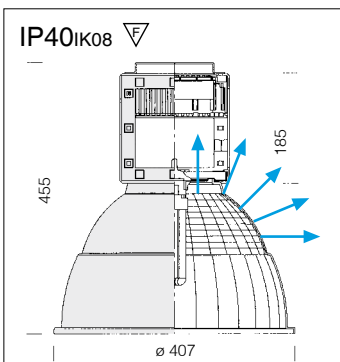
Cable length 5.0m

Diffuser: clear polycarbonate with a silk finish, metallized inside and painted outside.



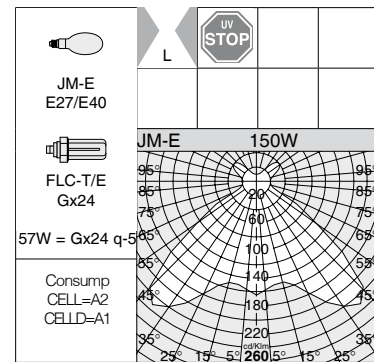
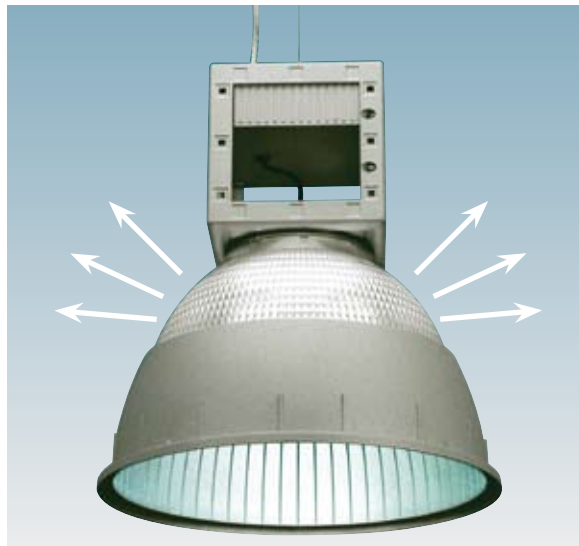
Compendio G						
		CELL		CELL-D		Lamps (Ta=25°C)
wattage	colour	weight	code	weight	code	Kelvin - h - ølm - Ra
JM-E 150	m. silver	6.00	22221271-00			3000K - 12900 lm
FLC-T/E 1x42	m. silver	4.00	22221272-00	5.00	22221272-12	3000K - 3200 lm - Ra 1b
FLC-T/E 1x57	m. silver	4.50	22221273-00			3000K - 4300 lm - Ra 1b

Electronic version is to be used for improved visual comfort.



Cable length 5.0m

Diffuser: clear polycarbonate with a silk finish, metallized inside and painted outside (half reflector only).



Compendio G1 - dir/ind. light						
		CELL		CELL-D		Lamps (Ta=25°C)
wattage	colour	weight	code	weight	code	Kelvin - h - ølm - Ra
JM-E 150	m. silver	6.00	22221275-00			3000K - 12900 lm
FLC-T/E 1x42	m. silver	4.00	22221276-00	5.00	22221276-12	3000K - 3200 lm - Ra 1b
FLC-T/E 1x57	m. silver	4.50	22221277-00			3000K - 4300 lm - Ra 1b

Electronic version is to be used for improved visual comfort.