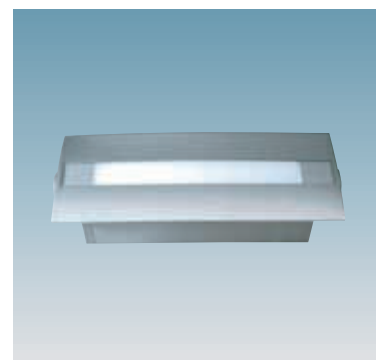
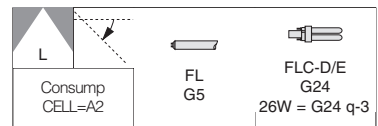
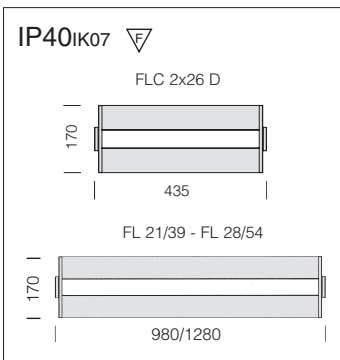


Reflector: Adjustable angle matt opal polycarbonate diffuser.

Emergency version (3 hours) on request.

Cover - T5						
		CELL		CELL-E		Lamps (Ta=25°C)
wattage	colour	weight	code	weight	code	Kelvin - h - ølm - Ra
FL 1x21	silver	3.70	22182370-00	4.80	22182370-09	4000K - 1900 lm - Ra 1b
FLC-D/E 1x26	silver	3.00	22182378-00			4000K - 1800 lm - Ra 1b
FL 1x28	silver	4.80	22182371-00	5.90	22182371-09	4000K - 2600 lm - Ra 1b
FL 1x39	silver	3.70	22182372-00	4.80	22182372-09	4000K - 3100 lm - Ra 1b
FL 1x54	silver	4.90	22182373-00	5.90	22182373-09	4000K - 4450 lm - Ra 1b

Emergency version: run time 60 min.



Reflector: Adjustable angle matt opal polycarbonate diffuser.

Emergency version (3 hours) on request.

Cover - T5 long version - two-lamps						
		CELL		CELL-E		Lamps (Ta=25°C)
wattage	colour	weight	code	weight	code	Kelvin - h - ølm - Ra
FL 2x21	silver	4.00	22182374-00	5.10	22182374-09	4000K - 1900 lm - Ra 1b
FLC-D/E 2x26	silver	2.20	22182379-00	3.30	22182379-09	4000K - 1800 lm - Ra 1b
FL 2x28	silver	5.30	22182375-00	6.40	22182375-09	4000K - 2600 lm - Ra 1b
FL 2x39	silver	4.00	22182376-00	5.10	22182376-09	4000K - 3100 lm - Ra 1b
FL 2x54	silver	4.90	22182377-00	6.00	22182377-09	4000K - 4450 lm - Ra 1b

Emergency version: run time 60 min.

