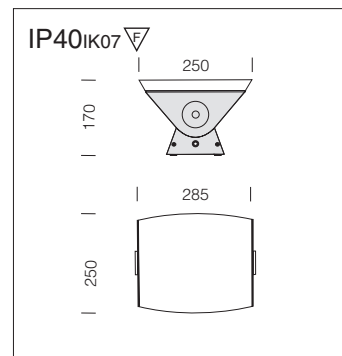




Consump CELL=A2 CNRL=B2		
	L	FLC-D/E G24
		FLC D/E: 26W = G24 q-3 FLC D: 26W = G24 d-3

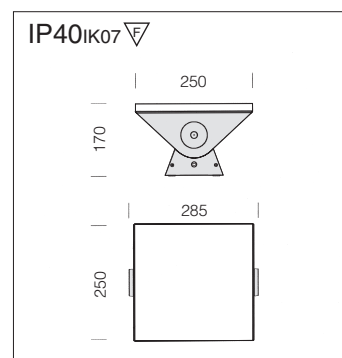


Reflector: Adjustable angle matt opal polycarbonate diffuser.

Cover light 1 - round				
		CELL		Lamps (Ta=25°C)
wattage	colour	weight	code	Kelvin - h - ølm - Ra
FLC-D/E 1x26	white	1.50	22182010-08	3000K - 1800 lm - Ra 1b
FLC-D/E 1x26	silver	1.50	22182070-08	3000K - 1800 lm - Ra 1b

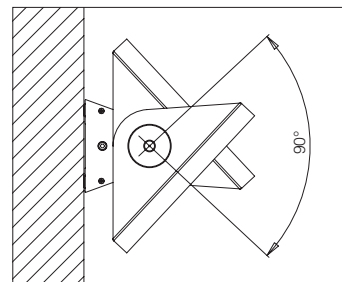


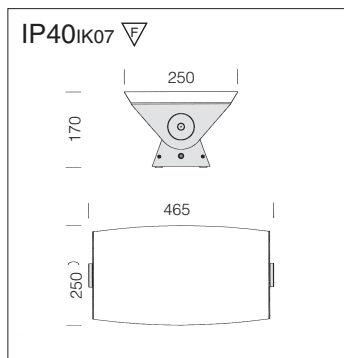
Consump CELL=A2 CNRL=B2		
	L	FLC-D/E G24
		FLC D/E: 26W = G24 q-3 FLC D: 26W = G24 d-3



Reflector: Adjustable angle matt opal polycarbonate diffuser.

Cover light 2 - square				
		CELL		Lamps (Ta=25°C)
wattage	colour	weight	code	Kelvin - h - ølm - Ra
FLC-D/E 1x26	white	1.50	22182110-08	4000K - 1800 lm - Ra 1b
FLC-D/E 1x26	silver	1.50	22182171-08	4000K - 1800 lm - Ra 1b



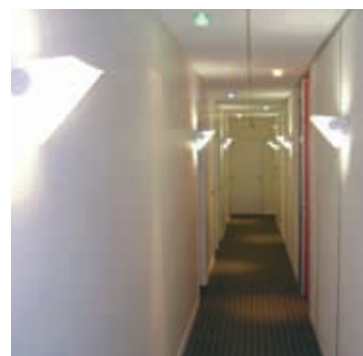


Reflector: Adjustable angle matt opal polycarbonate diffuser.

Emergency version (3 hours) on request.

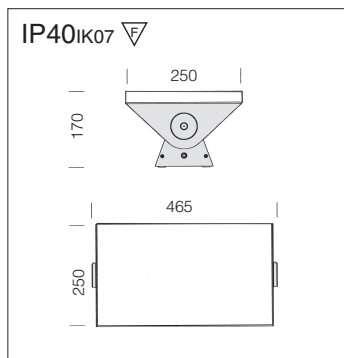


		Consump CELL=A2 CNRL=B2
FLC-D/E G24	L	
FLC D/E: 26W = G24 q-3		
FLC D: 26W = G24 d-3		



Cover light 3 - long round

		CELL		CELL-E		Lamps (Ta=25°C)
wattage	colour	weight	code	weight	code	Kelvin - h - ølm - Ra
FLC-D/E 2x26	silver	1.50	22182272-08	2.10	22182272-09	3000K - 1800 lm - Ra 1b



Reflector: Adjustable angle matt opal polycarbonate diffuser.

Emergency version (3 hours) on request.



		Consump CELL=A2 CNRL=B2
FLC-D/E G24	L	
FLC D/E: 26W = G24 q-3		
FLC D: 26W = G24 d-3		



Cover light 4 - long square

		CELL		CELL-E		Lamps (Ta=25°C)
wattage	colour	weight	code	weight	code	Kelvin - h - ølm - Ra
FLC-D/E 2x26	silver	1.50	22182275-08	2.10	22182275-09	4000K - 1800 lm - Ra 1b