



**Housing:** Die-cast aluminium.

**Coating:** Fluid-coated with a humidity resistant, UV-stabilised acrylic-resin paint.

**Lampholder:** Ceramic with silver-plated contacts, or polycarbonate with phosphorous bronze contacts.

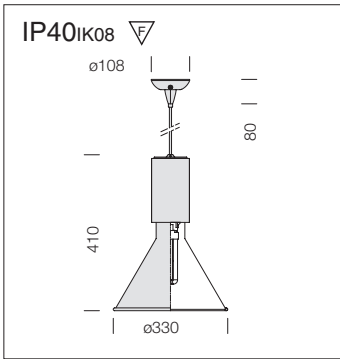
**Electric gear:** 230-240V/50-60Hz power supply with thermal protection. Hard wire, cross section 0.50 sqmm. 2P + T terminal block (maximum allowed lead cross section 2,5 sqmm).

**Electric gear:** JM-E 70 version is supplied with protective lamp for open fixture use.

**Regulations:** Manufactured in accordance with standards EN60598 – CEI 34 –21. Degree of protection in accordance with standards EN60529.

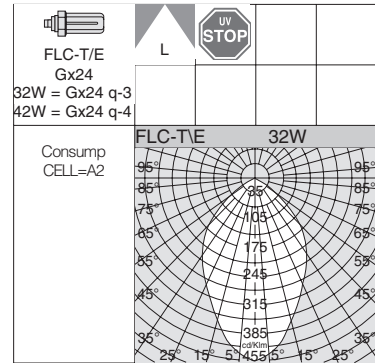
**Other versions:** Coloured versions are available on request.





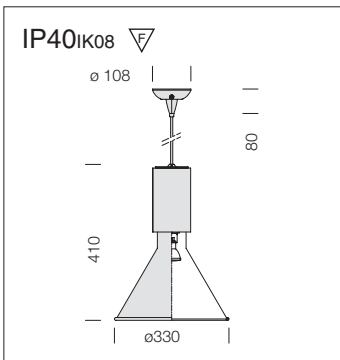
Cable length 5.0m

**Diffuser:** anodised and polished aluminium.



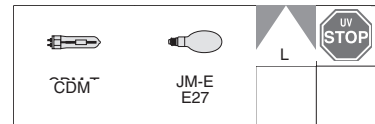
| Bell 1C             |           |        |             |        |             |                         |
|---------------------|-----------|--------|-------------|--------|-------------|-------------------------|
|                     |           | CELL   |             | CELL-E |             | Lamps (Ta=25°C)         |
| wattage             | colour    | weight | code        | weight | code        | Kelvin - h - ølm - Ra   |
| <b>FLC-T/E 1x32</b> | aluminium | 2.90   | 22221674-00 | 4.00   | 22221674-09 | 3000K - 4200 lm - Ra 1b |
| <b>FLC-T/E 1x42</b> | aluminium | 2.90   | 22221676-00 | 4.00   | 22221676-09 | 3000K - 3200 lm - Ra 1b |

| Bell 1C DIMM        |           |                |             |                 |             |                         |
|---------------------|-----------|----------------|-------------|-----------------|-------------|-------------------------|
|                     |           | CELL-D (1-10V) |             | CELLD-E (1-10V) |             | Lamps (Ta=25°C)         |
| wattage             | colour    | weight         | code        | weight          | code        | Kelvin - h - ølm - Ra   |
| <b>FLC-T/E 1x32</b> | aluminium | 3.00           | 22221674-12 | 4.00            | 22221674-94 | 3000K - 4200 lm - Ra 1b |
| <b>FLC-T/E 1x42</b> | aluminium | 3.00           | 22221676-12 | 4.00            | 22221676-94 | 3000K - 3200 lm - Ra 1b |



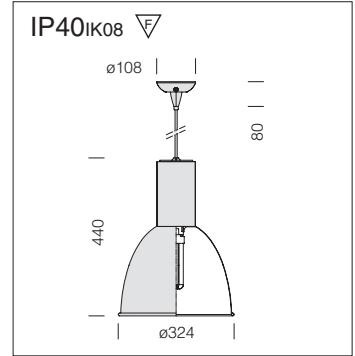
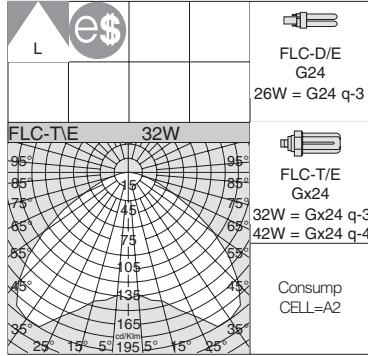
Cable length 5.0m

**Diffuser:** anodised and polished aluminium.



| Bell 2C         |           |        |             |                        |  |  |
|-----------------|-----------|--------|-------------|------------------------|--|--|
|                 |           | CELL   |             | Lamps (Ta=25°C)        |  |  |
| wattage         | colour    | weight | code        | Kelvin - h - ølm - Ra  |  |  |
| <b>CDM-T 35</b> | aluminium | 2.90   | 22221771-00 | 3000K - 4000cd - Ra 1a |  |  |

| Bell 3C        |           |        |             |                       |  |  |
|----------------|-----------|--------|-------------|-----------------------|--|--|
|                |           | CELL   |             | Lamps (Ta=25°C)       |  |  |
| wattage        | colour    | weight | code        | Kelvin - h - ølm - Ra |  |  |
| <b>JM-E 70</b> | aluminium | 2.90   | 22221772-00 | 4100K - 5100 lm - 2a  |  |  |



Cable length 5.0m

**Housing:** Die-cast aluminium with cooling fins.

**Diffuser:** Turned anodised and polished aluminium.

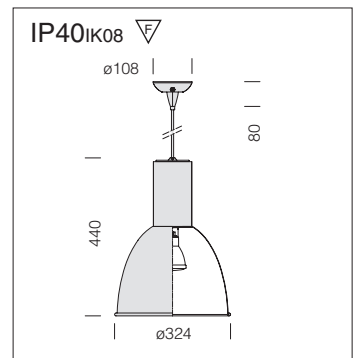
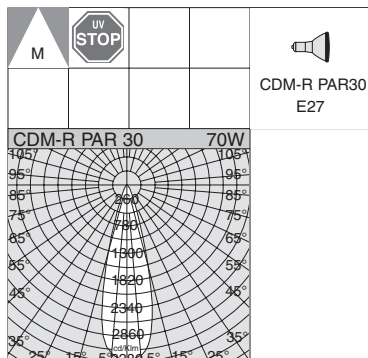
**Coating:** Fluid-coated with a humidity resistant, UV-stabilised acrylic-resin paint.

**Other versions:** coloured versions are available on request.

There is possibility of max personalization thanks to colour variations which BELL articles offer.

| Bell 1       |           |        |             |        |             |                         |
|--------------|-----------|--------|-------------|--------|-------------|-------------------------|
|              |           | CELL   |             | CELL-E |             | Lamps (Ta=25°C)         |
| wattage      | colour    | weight | code        | weight | code        | Kelvin - h - ølm - Ra   |
| FLC-D/E 1x26 | aluminium | 3.10   | 22221472-00 | 4,20   | 22221472-09 | 3000K - 1800 lm - Ra 1a |
| FLC-T/E 1x32 | aluminium | 3.10   | 22221474-00 | 4,20   | 22221474-09 | 3000K - 4200 lm - Ra 1a |
| FLC-T/E 1x42 | aluminium | 3.10   | 22221476-00 | 4,20   | 22221476-09 | 3000K - 3200 lm - Ra 1a |

| Bell 1 DIMM  |           |                |             |                 |             |                         |
|--------------|-----------|----------------|-------------|-----------------|-------------|-------------------------|
|              |           | CELL-D (1-10V) |             | CELLD-E (1-10V) |             | Lamps (Ta=25°C)         |
| wattage      | colour    | weight         | code        | weight          | code        | Kelvin - h - ølm - Ra   |
| FLC-D/E 1x26 | aluminium | 3.20           | 22221472-12 | 4,20            | 22221472-94 | 3000K - 1800 lm - Ra 1a |
| FLC-T/E 1x32 | aluminium | 3.20           | 22221474-12 | 4,20            | 22221474-94 | 3000K - 4200 lm - Ra 1a |
| FLC-T/E 1x42 | aluminium | 3.20           | 22221476-12 | 4,20            | 22221476-94 | 3000K - 3200 lm - Ra 1a |

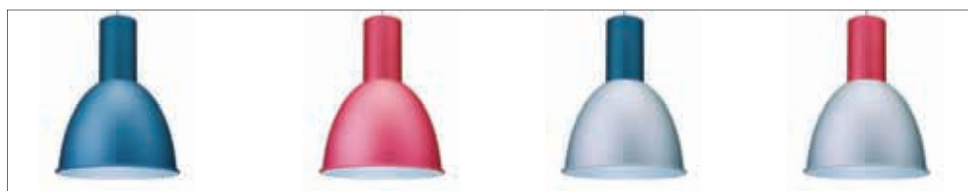


Cable length 5.0m

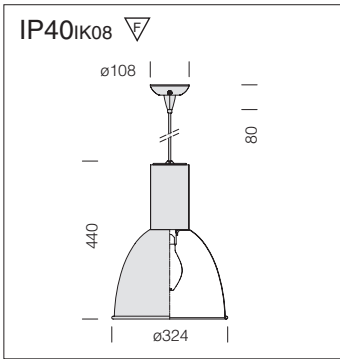
Highly decorative, low-glare lamp if used with version 2, which is coloured on the inside.

| Bell 2         |           |        |             |                        |  |  |
|----------------|-----------|--------|-------------|------------------------|--|--|
|                |           | CELL   |             | Lamps (Ta=25°C)        |  |  |
| wattage        | colour    | weight | code        | Kelvin - h - ølm - Ra  |  |  |
| CDM-R-PAR30 70 | aluminium | 3.40   | 22221571-00 | 3000K - 4000cd - Ra 1a |  |  |

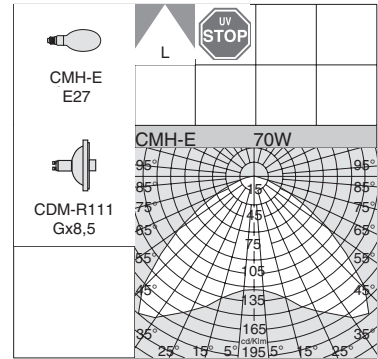
Beam aperture 24°. Narrower beams are available upon request.



Special versions with various colour choices. Prices on request.

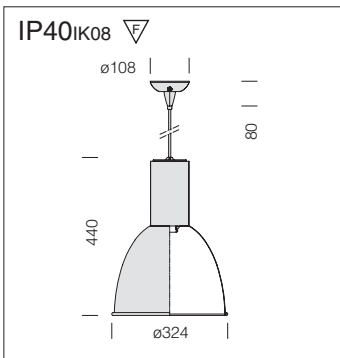


Cable length 5.0m  
Supplied with protective lamp for open fixture use.

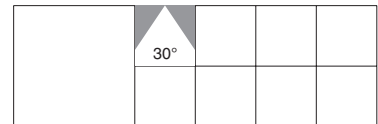


| Bell 3      |           |        |             |                         |
|-------------|-----------|--------|-------------|-------------------------|
|             |           | CELL   |             | Lamps (Ta=25°C)         |
| wattage     | colour    | weight | code        | Kelvin - h - ølm - Ra   |
| CMH-E 70    | aluminium | 3.30   | 22221572-00 | 4100K - 5100 lm - Ra 2a |
| CDM-R111 70 | aluminium | 3.30   | 22221573-00 | 3000K - 15000cd - Ra 1b |

On request: possibility of painting of the inner part of the reflector.



Cable length 5.0m  
Complete with 4 led RGB modules of 4W each, and IR sensor for colour changing control. It is acquired separately, remote control code 22099022-00.



| Bell 3 - POWER LED RGB 230V |           |          |             |        |                   |
|-----------------------------|-----------|----------|-------------|--------|-------------------|
|                             |           | CLD CELL |             | LED    | Lamps (Ta=25°C)   |
| wattage (350 mA)            | colour    | weight   | code        | W tot. | Kelvin - ølm - Ra |
| LED RGB 4x4W                | aluminium | 3.50     | 22221971-00 | 16     | 4x90 lm           |

