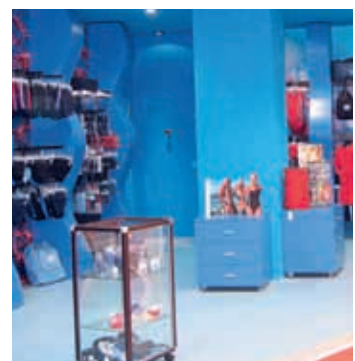
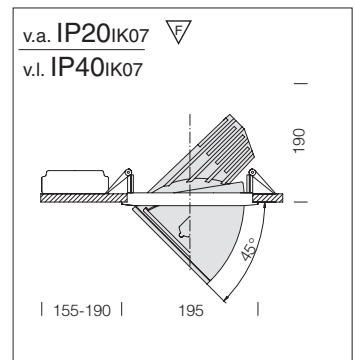
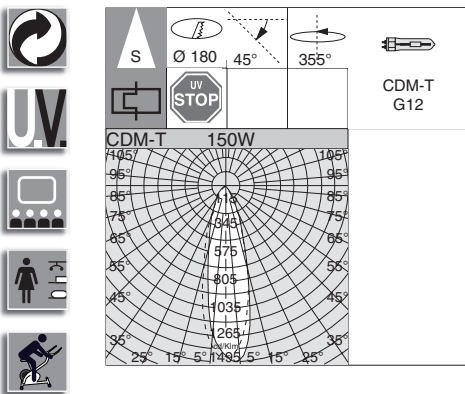
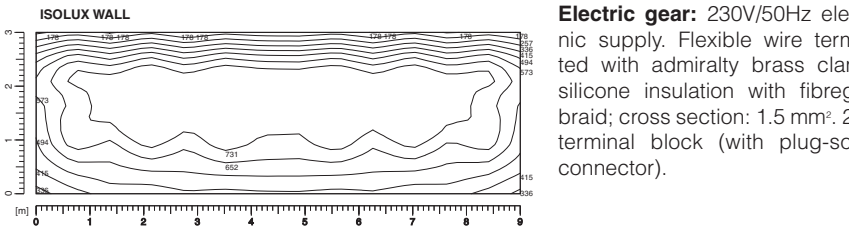
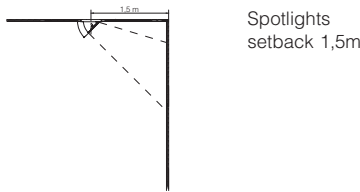


Series of recessed adjustable angle floodlights. Designed to address the growing need for lighting solutions in shopping centres and shop windows, where the luminous flux has to be directed according to the products displayed.

**Housing:** Die-cast aluminium.  
**Reflector:** High-efficiency polished anodised aluminium.  
**Diffuser:** Tempered glass protective shield.

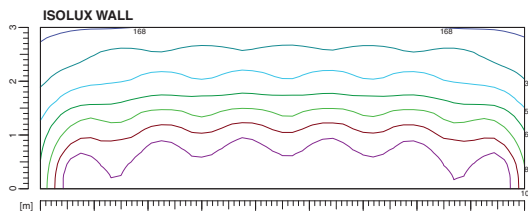
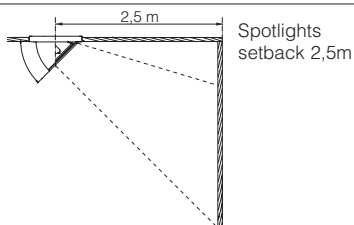
**Electric gear:** 230V/50Hz electronic supply. Flexible wire terminated with admiralty brass clamps, silicone insulation with fibreglass braid; cross section: 1.5 mm<sup>2</sup>. 2P+T terminal block (with plug-socket connector).

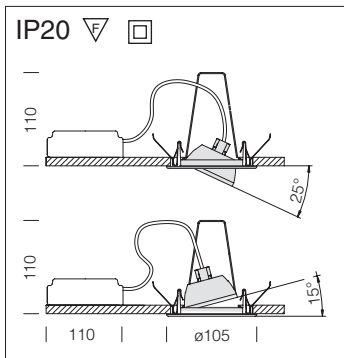
Eta 1				
		CELL		Lamps (Ta=25°C)
wattage	colour	weight	code	Kelvin - ølm - Ra
CDM-TC 35	white	1,00	22176013-00	3000K - 3300 lm - Ra 1b
CDM-TC 70	white	1,20	22176017-00	3000K - 7000 lm - Ra 1b



Eta 2					
		CELL		S+L	Lamps (Ta=25°C)
wattage	colour	weight	code	weight	code
CDM-T 150	white	1,80	22176116-00		
CDM-T 150	white			1,80	22176114-00

Version S+L without box code 22092021-00

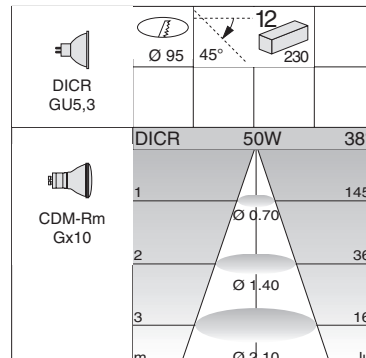




**Housing:** Die-cast zamak, with a steel bracket holding the terminal block. Supplied with springs for recessed mounting.

**Coating:** Power-coated with a UV-resistant polyester epoxy paint.

**Equipment:** With springs for false ceilings (max. 30mm).

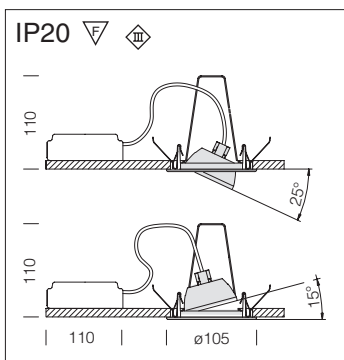


Beta with lamp + glass + DIMM transformer (fig. 1)				
		S+L+T		Lamps (Ta=25°C)
wattage	colour	weight	code	Kelvin - ølm - Ra
DICR 50	white	0,20	22086610-00	3000K - 3000h - 1800cd
DICR 50	m. silver	0,20	22086670-00	

Adjustable spots equipped with lamp with glass and dimmable transformer. Supplied in individual bags, packed in boxes of 5.

CDM-R Mini saves up to 60% more energy than halogen lamps. It offers higher energy yield and excellent colour stability.

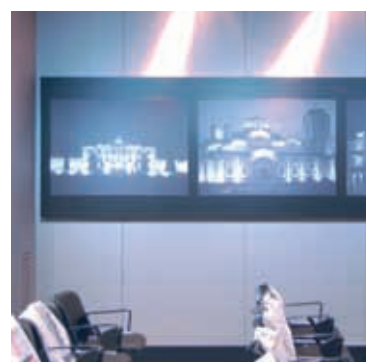
Beta with CDM-R Mini lamp (fig. 2)				
		CELL		Lamps (Ta=25°C)
wattage	colour	weight	code	Kelvin - ølm - Ra
CDM-R Mini 20	white	0,40	22086613-00	3000K - 3300cd - Ra 1b
CDM-R Mini 20	m. silver	0,40	22086673-00	



**Housing:** Die-cast zamak, with a steel bracket holding the terminal block. Supplied with springs for recessed mounting.

**Coating:** Power-coated with a UV-resistant polyester epoxy paint.

**Equipment:** With springs for false ceilings (max. 30mm).



Beta WHITE POWER LED				
		CLD S+L		LED (Ta=25°C)
wattage	colour	weight	code	Kelvin - ølm - Ra
LED white 3x1,2W	white	0,20	22086611-00	6000 K - 300lm - 15°
LED white 3x1,2W	m. silver	0,20	22086671-00	

Completed with dichro-POWER LED, to be used with a power supply 12V-20W dc code 22090838-00 to power max. 5 spotlights.

LED Power supply		
230V/12V 20W	0.10	22090838-00

Supplies up to max 5 spotlights. Connections in parallel.

