



Simple, elegant, strong, the fixtures in the Olaja, Clara and Alicia lines are all characterised by a high degree of flexibility. Their sophisticated design and luminous efficiency create evocative effects in any possible setting, and thanks to the diffused light emitted through their micro-perforated front plate they can be appropriately installed in any architectural context.

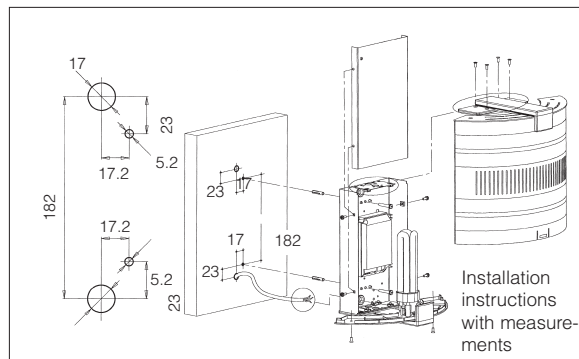
Housing: Micro-perforated pressed sheet steel. Polycarbonate end caps.

Diffuser: Internal plate made of opal polypropylene for high luminous control.

Electric gear: 230V/50Hz power supply with multipower ballast. Hard wire, cross section 0.50 sqmm, and high-temperature resistant (up to 90°C) PVC-HT sheath, in accordance with CEI 20-20 standards. 2P + T terminal block (maximum allowed lead cross section 2 sqmm).

Coating: Fluid-coated with a UV-stabilised acrylic-resin paint resistant to humidity and saline environments, after a phosphate treatment.

Lamps: Supplied with compact fluorescent lamps.



XL

Consump CELL=A2
CNRL=B2

Consump CELLD=A1

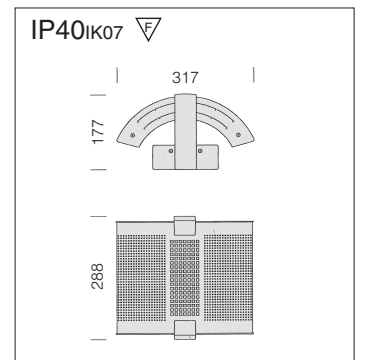
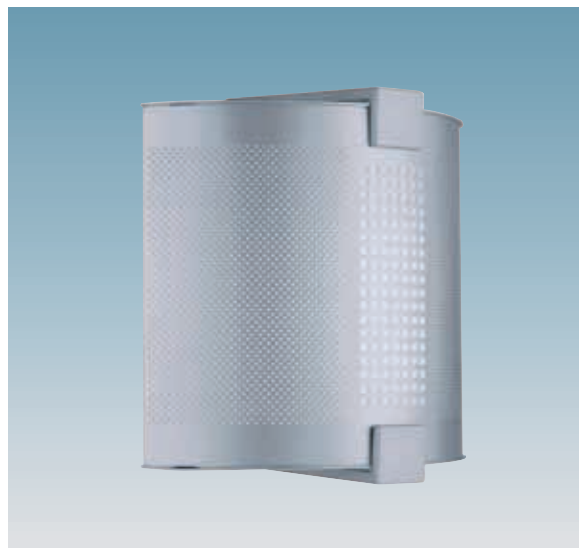
FLC-D/E
G24 q

FLC D/E
26W = G24 q-3
FLC D
26W = G24 d-3

FLC-T/E
Gx24

32W = GX24 q-3
42W = GX24 q-4

1x42



On request: white colour version.

Alicia						
		CNRL		CNRL-E		Lamps (Ta=25°C)
wattage	colour	weight	code	weight	code	Kelvin - h - olm - Ra
FLC-D 1x26	m. silver	2.30	22183671-00			3000K - 1800 lm - Ra 1b
FLC-D/E 1x26	m. silver			3.40	22183671-07	3000K - 1800 lm - Ra 1b
		CELL		CELL-D		Lamps (Ta=25°C)
wattage	colour	weight	code	weight	code	Kelvin - h - olm - Ra
FLC-T/E 1x32	m. silver	1,90	22183672-00	2,00	22183672-12	3000K - 2400 lm - Ra 1b
FLC-T/E 1x42	m. silver	1,90	22183676-00	2,00	22183676-12	3000K - 3200 lm - Ra 1b

A version with 3000K FLC 57T/E (4300 lm) lamp is available on request.