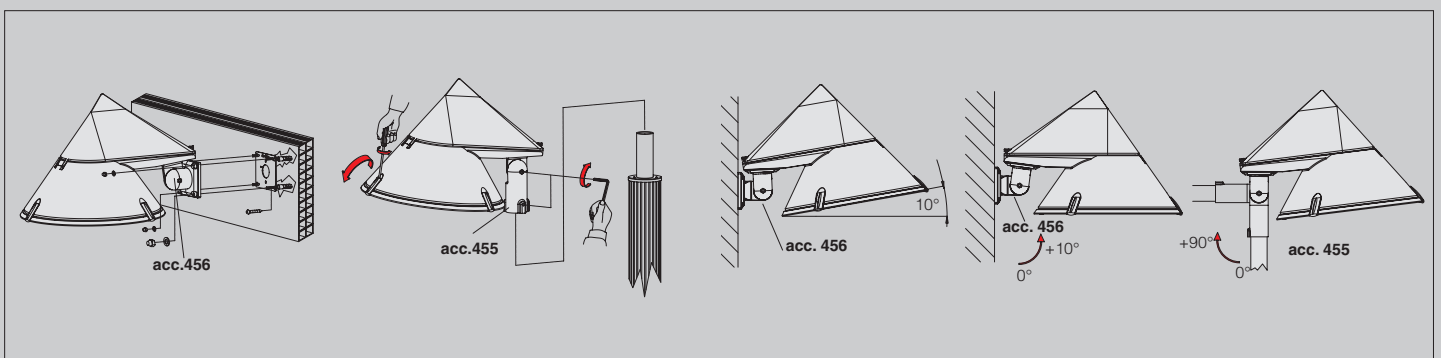
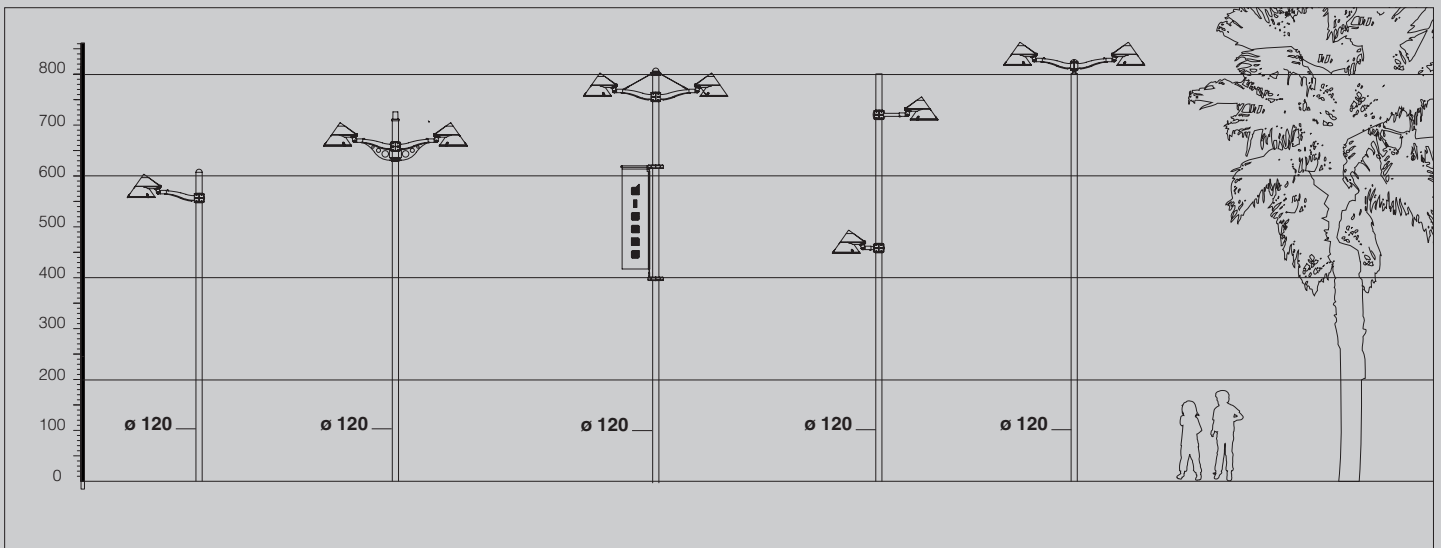


Other colours on request (at extra cost).

The frame opens on the front, and once open it stays attached to the housing for easier lamp replacement in case of maintenance. For the pole or wall installation Acc. 455/456 are used. The electric accessory compartment can be opened using steel retained screws.





Volo is a high-tech lighting fixture with an original shape. Largely used in the most diverse contexts, Volo is yet another Disano product that offers a wide choice of different optic units and mounting solutions. In particular, Volo's asymmetric optics provide excellent lighting for large areas, car parks, and in general, for areas where glare should be avoided. Volo's symmetric optics are perfect for lighting avenues, roads and gardens. The Volo light diffusing version provides, anti-glare light. The range is completed by lighting fixtures specifically designed for bicycle pathways. Maintenance is made easy by separating the housing from the gear box, which opens independently.

**Housing:** Supplied with die-cast aluminium frame.

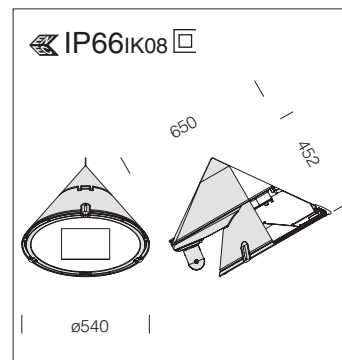
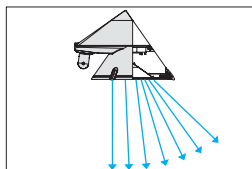
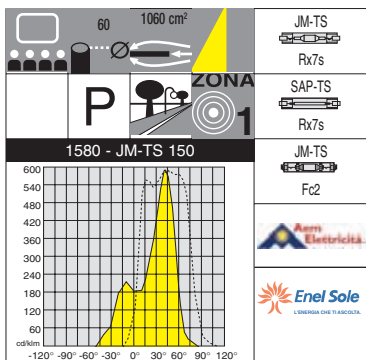
**Coating:** In several stages. First stage: epoxy cationic electrocoating, resistant to corrosive and saline environments. Second stage: UV stabilising priming; final stage: a rough finish with frosted silver or graphite grey paint.

**Electric gear:** 230V-50Hz power supply with heat protection. Silicone wire terminated with admiralty brass quick-connection clamps; fibreglass braid insulation; cross-section: 1 sqmm. 2P terminal block (maximum allowed lead cross section 4 sqmm.)

**Standard supply:** The housing and diffuser open on hinges and remain attached for easy maintenance.

**Equipment:** Removable gear tray. Supplied with knife switch. Fibreglass nylon cable gland, Ø 1/2 gas.

**Volo series has received the prestigious International "Technical Award" during Powertech Electrotech'96 Fair in Birmingham from "The Institute of Electrical Engineers".**



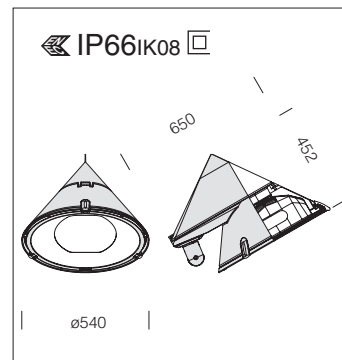
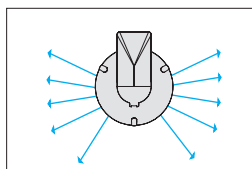
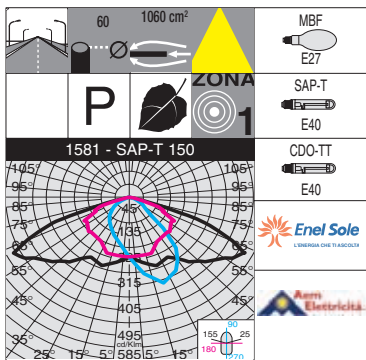
**Optic unit:** LIGHT POLLUTION PREVENTING OPTICAL SYSTEM, in hammered aluminium, polished.

**Diffuser:** Tempered protection glass, 5 mm thick, resistant to thermal shock and impact.

**1580 Volo - asymmetric**

wattage	colour	CNRL		Lamps (Ta=25°C)
		weight	code	Kelvin - ølm - Ra
JM-TS 150	grap. + sil.	11.80	424310-00	4200K - 12000lm - Ra 1b
JM-TS 250	grap. + sil.	12.80	424311-00	4200K - 20000lm - Ra 1b
SAP-TS 150	grap. + sil.	11.90	424312-00	2000K - 15000lm - Ra 4
CDM-TS 150	grap. + sil.	11.90	424313-00	4200K - 14200lm - Ra 1a

Suitable for lighting large areas, parking lots, vertical surfaces, areas where total absence of glare or indirect lighting are required. Always use with acc. 455 for pole mounting or 456 for wall mounting. Other colours can be ordered on request.



**Optics:** LIGHT POLLUTION PREVENTING OPTICAL SYSTEM. In aluminium 99,85 anodically oxidized and polished.

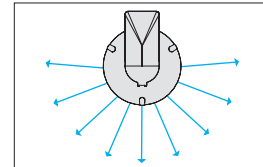
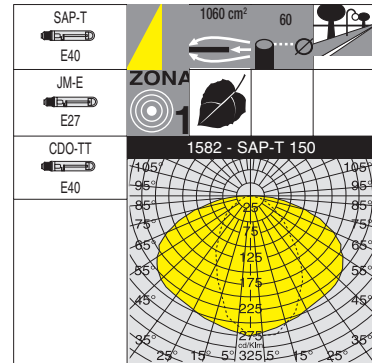
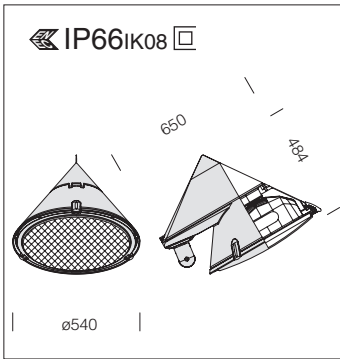
**Diffuser:** Tempered protection glass, 5 mm thick, resistant to thermal shock and impact.

**1581 Volo - street lighting**

wattage	colour	CNRL		Lamps (Ta=25°C)
		weight	code	Kelvin - ølm - Ra
SAP-T 100	grap. + sil.	10.90	424410-00	2000K - 9000lm - Ra 4
SAP-T 150	grap. + sil.	11.80	424411-00	2000K - 15000lm - Ra 4
SAP-T 250	grap. + sil.	11.90	424412-00	2000K - 28000lm - Ra 4
CDO-TT 150	grap. + sil.	11.80	424413-00	2800K - 13500lm - Ra 1a

Suitable for lighting streets, gardens, avenues etc. Always use with acc. 455 for pole mounting or 456 for wall mounting. Other colours can be ordered on request. On request: version CDO-TT lamp and electronic ballast.





**Optics:** LIGHT POLLUTION PREVENTING OPTICAL SYSTEM. In aluminium 99,85 anodically oxidized and polished.

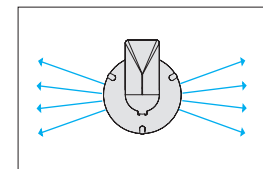
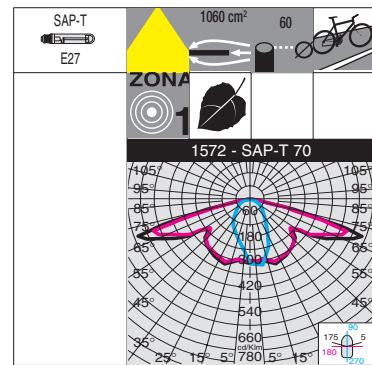
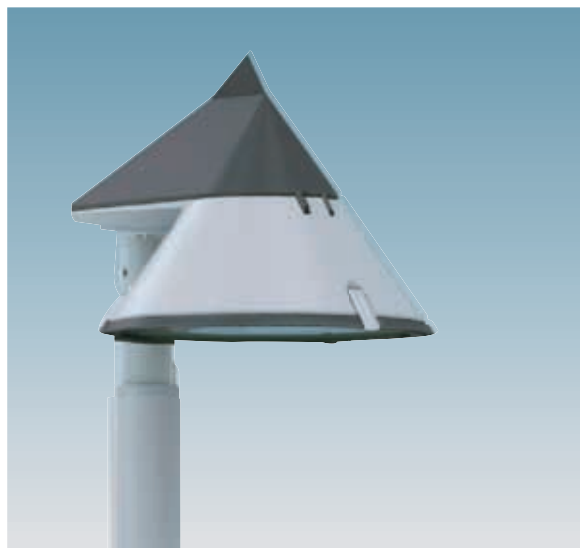
**Diffuser:** anti-glare pressed prismatic refractor.



**1582 Volo - wide beam**

		CNRL		Non-polluting luminous versions		Lamps (Ta=25°C)	
wattage	colour	weight	code	weight	code	Kelvin - ølm - Ra	
SAP-T 100	grap. + sil.	11.50	424510-00	11.50	424510-0016	2000K - 9000lm - Ra 4	
SAP-T 150	grap. + sil.	12.50	424511-00	12.50	424511-0016	2000K - 15000lm - Ra 4	
JM-E 100	grap. + sil.	11.50	424512-00	11.50	424512-0016	3200K - 9000lm - Ra 1a	
CDO-TT 150	grap. + sil.	12.50	424513-00	12.50	424513-0016	2800K - 13500lm - Ra 1a	
JM-T 150	grap. + sil.	11.50	424514-00	11.50	424514-0016	4000K - 14000lm - Ra 1a	

Ideal in areas where total absence of glare and diffused lighting are required. Always use with acc. 455 for pole mounting or 456 for wall mounting. Other colours can be ordered on request.



**Optics for bicycle pathways:** LIGHT POLLUTION PREVENTING OPTICAL SYSTEM, in high-gloss aluminium 99,90.

**Diffuser:** Tempered protection glass, 5 mm thick, resistant to thermal shock and impact.



**1572 Volo - for bicycle pathways**

		CNRL		Lamps (Ta=25°C)	
wattage	colour	weight	code	Kelvin - ølm - Ra	
SAP-T 70	grap. + sil.	11.50	424320-00	2000K - 6000lm - Ra 4	

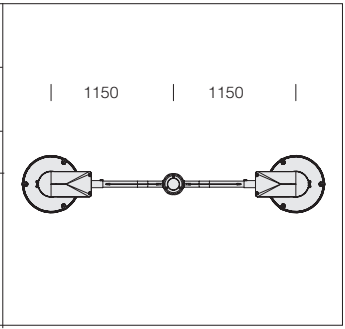
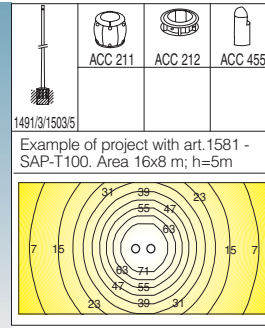
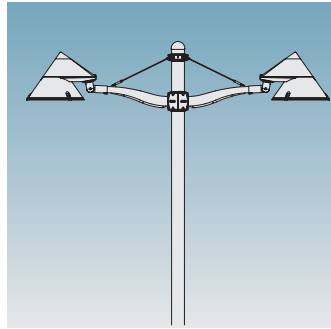
Always use with acc. 455 for pole mounting or 456 for wall mounting. Other colours can be ordered on request.

**Lighting results: 1572 Volo SAP-T 70**

Disp.	Lm	S m	H m	L m	D	I	Em	Ug= Emin Emed
Uni.	6500	0	5	2,5	30	0°	18,0	0,31

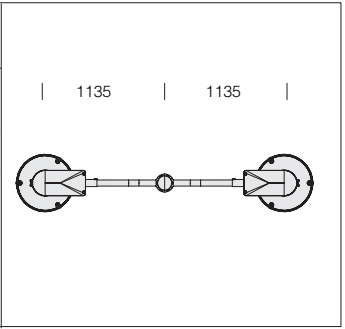
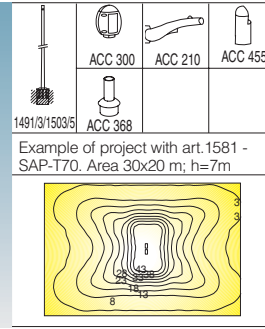
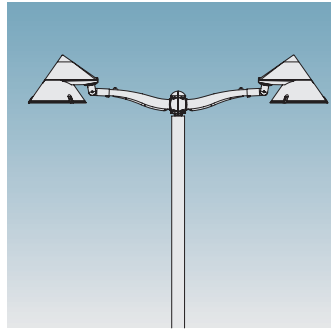
**ES. ac1 - 2 Volo**

Components:	
2 Volo art. (choose one among art. 1580/81/82/72)	
1 pole to be chosen between acc. 1491/93/1503/1505*	
1 Sector acc. 211	426952/53
1 ring acc. 212	426954/55
1 attachment acc. 455	991400/01
* pole height can be specified as desired	



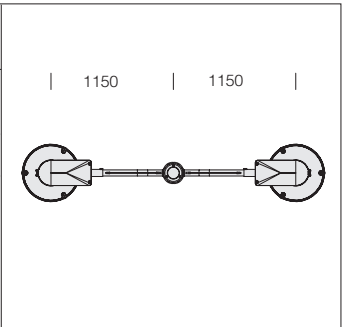
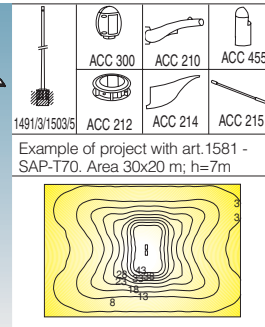
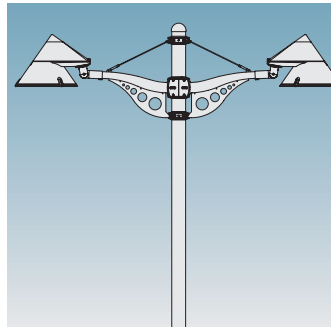
**ES. ac2 - 2 Volo**

Components:	
2 Volo art. (choose one among art. 1580/81/82/72)	
1 pole to be chosen between acc. 1491/93/1503/1505*	
1 oliva acc. 300	426970/71
1 acc. 368	427002/03
2 Sector arms acc. 210	426950/51
2 connect. acc. 455	991400/01
* pole height can be specified as desired	

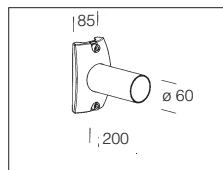


**ES. ac2 - 2 Volo**

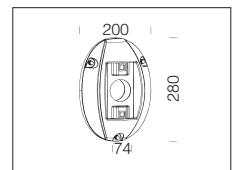
Components:	
2 Volo art. (choose one among art. 1580/81/82/72)	
1 pole to be chosen between acc. 1491/93/1503/1505*	
1 Sector acc. 211	426952/53
2 Sector arms acc. 210	426950/51
2 connect acc. 455	991400/01
1 ring acc. 212	426954/55
2 connect acc. 214	426958/59
2 tie-rod acc. 215	426960
* pole height can be specified as desired	



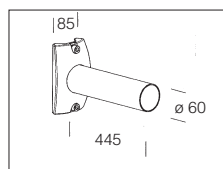
<b>acc. 327 wall arm</b>	
s. silver	426942-00
graphite	426943-00
In die-cast alum. To be used with acc. 302 for the wall installation.	



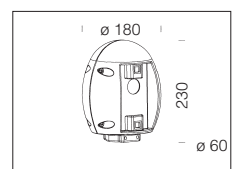
<b>acc. 302 wall mounting</b>	
s. silver	426974-00
graphite	426975-00
Made of aluminium To be installed with acc.210/327/328 on the wall arm.	



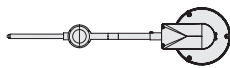
<b>acc. 328 wall arm</b>	
s. silver	426944-00
graphite	426945-00
In die-cast alum. To be used with acc. 302 for the wall installation.	





<b>acc. 300 Oliva connector</b>	
s. silver	426970-00
graphite	426971-00
In alum. For pole installations ø60 of arms acc. 210 o 301.	





| 680
| 1150



  
ACC 211

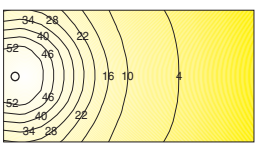
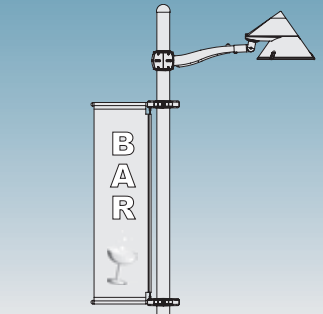
  
ACC 210

  
ACC 213

  
ACC 455

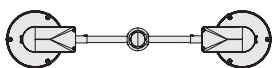
1491/3/1503/5


Example of project with art. 1582 - SAP-T 100. Area 10x7 m; h=5m






<b>ES. ac5 - 1 Volo</b>	
Components:	
1 Volo art. (choose one among art. 1580/81/82/72)	
1 pole to be chosen between acc. 1491/93/1503/1505*	
1 Sector acc. 211	426952/53
1 Sector arm acc. 210	426950/51
1 attachment acc. 213	426956/57
1 attachment acc. 455	991400/01
* pole height can be specified as desired	


| 970
| 985




  
ACC 328

  
ACC 300

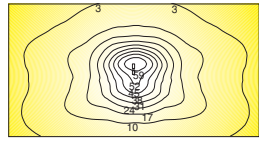
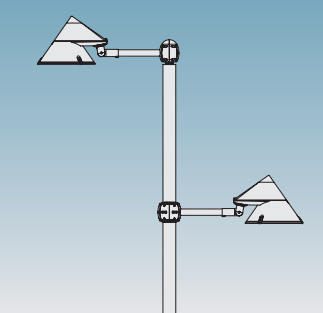
  
ACC 211

  
ACC 455

  
ACC 368

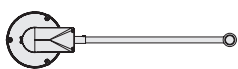
1491/3/1503/5


Example of project with art. 1581/1572 SAP-T70/100. Area 40x20 m; h=8/6m





<b>ES. ac3 - 2 Volo</b>	
Components:	
2 Volo art. (choose one among art. 1580/81/82/72)	
1 pole to be chosen between acc. 1491/93/1503/1505*	
1 Oliva connector acc. 300	426970/71
1 acc. 368	427002/03
2 arms acc. 328	426944/45
1 Sector acc. 211	426952/53
2 acc. 455	991400/01
* pole height can be specified as desired	

| 1870

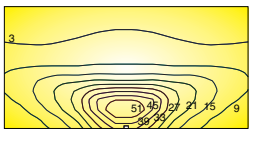
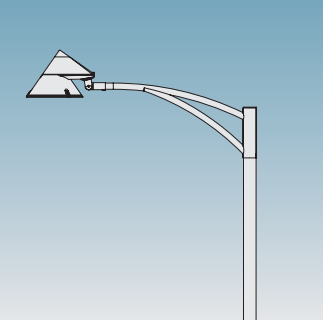


  
ACC 400

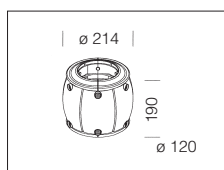
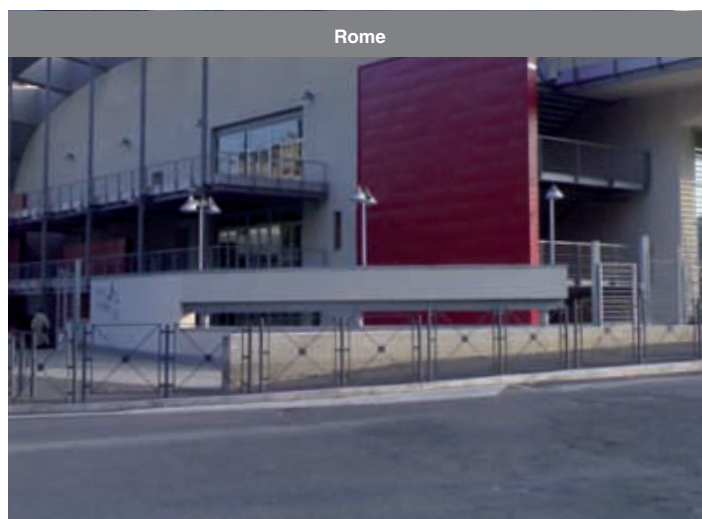
  
ACC 455

1475/1476

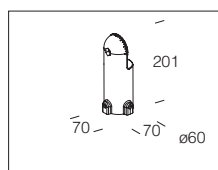
Example of project with art. 1581 - HCI-TT 150. Area 15x30 m; h=8m

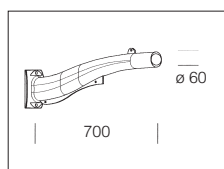
<b>ES. ac6 - 1 Volo</b>	
Components:	
1 Volo art. (choose one among art. 1580)	
1 pole to be chosen between acc. 1475/1476*	
1 connect. acc. 455	991400/01
1 arm acc. 400	991422/23
* pole height can be specified as desired	



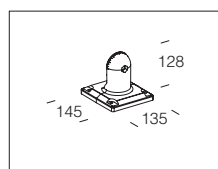
<b>acc. 211 Sector connector</b>	
s. silver	426952-00
graphite	426953-00
In alum. To be used with acc. 210 for the pole installation ø120.	



<b>acc. 455 small pole connect.</b>	
graphite	991400-00
s. silver	991401-00
To be used to install art. Volo on Ø60 pole. Adjustable connection.	



<b>acc. 210 Sector arm</b>	
s. silver	426950-00
graphite	426951-00
In alum. To be used with acc. 211 for the pole installation.	



<b>acc. 456 small wall connection</b>	
graphite	991402-00
s. silver	991403-00
To be used to install art. Volo on a wall. With anti-slip rack. Adjustable connection.	