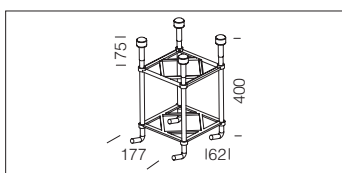


Steel pole \varnothing 102, silver-coloured. With die-cast aluminium inspection window (186x45mm), complete with 2 protection fuse holders, 2 fuses, 10A, removable 4-pole terminal block. With hole for insertion of power supply cable. Power adaptor \varnothing 60 mm. For the version with base, 4 log bolts to be sunk into the ground, bolts and lids have to be purchased.

Use is recommended with accessories 465/467 and articles Agadir, Monza and Metropolis.

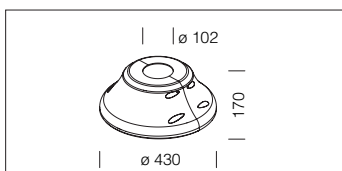
NOTE: The possibility to attach an assembly to the pole is subject to a wind pressure resistance assessment in the areas regulated by CNR-UNI standard 10032-67, according to load assumptions in UNI UNI 40/6 standard. An accurate and suitable protection or insulation of the surfaces involved is recommended to avoid any direct contact with the new masonry or concrete screed.



acc. 299 log bolts

991396-00

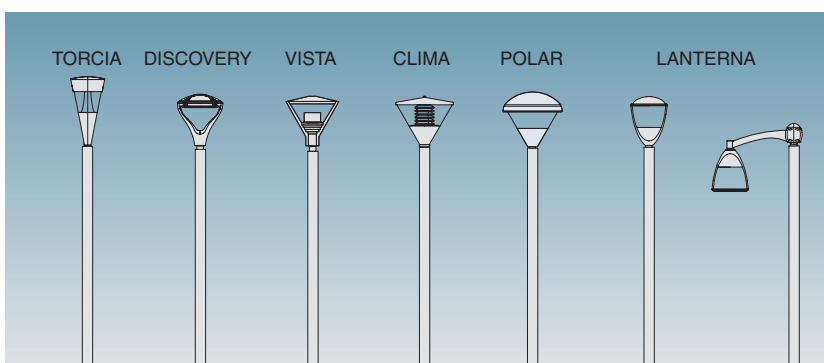
Log bolts are to be always used with the pole 1494.

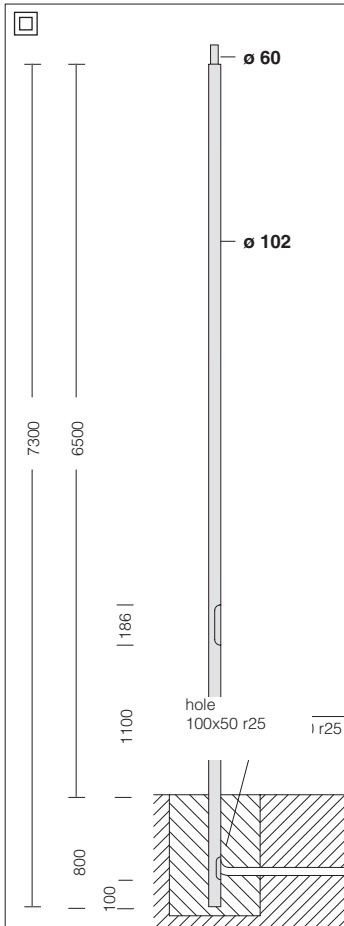


acc. 222 base pole cover

s. silver 991399-00

To be used as base pole cover acc. 1492/1494.





ON REQUEST
Possibility of supplying poles with the following colour paint finishes:
RAL 3003, 5011, 7026, 9011, 8015, 5002 7024, 7016, 9006, 7037, 6004, 8019, 6011, 7022, 1015, 9010.

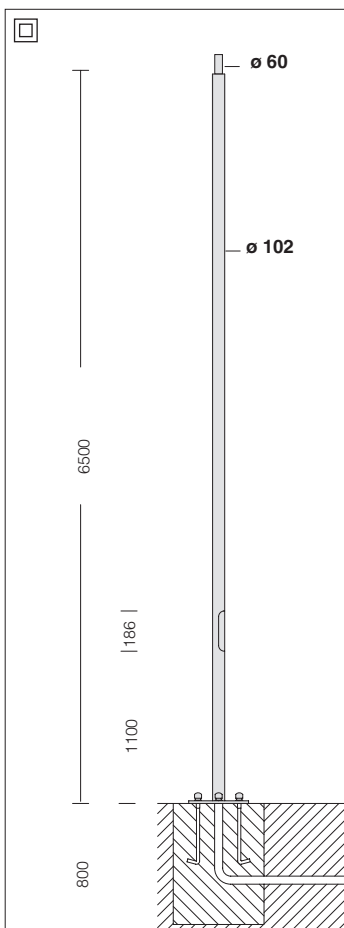
Inspection door with easily removable terminal board for quick connection.

Concrete base dimensions (subject to soil variations)



acc. 1492 steel pole to be buried

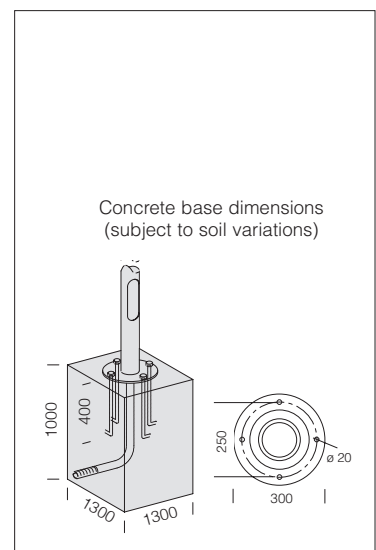
colour	code								
silver	425061-00	7300	6500	800	1100	186	45	Ø 102	Ø 60



ON REQUEST
Possibility of supplying poles with the following colour paint finishes:
RAL 3003, 5011, 7026, 9011, 8015, 5002 7024, 7016, 9006, 7037, 6004, 8019, 6011, 7022, 1015, 9010.

Inspection door with easily removable terminal board for quick connection.

For correct installation of pole and base, the ceiling cap should be fitted as shown in the assembly drawing featured opposite.



acc. 1494 steel pole with base

colour	code							
silver	425071-00	6500	1100	186	45	Ø 102	Ø 60	Ø 300 hole Ø 20

Log bolts are to be bought separately acc. 299.

