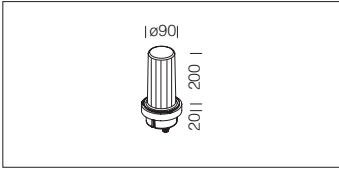
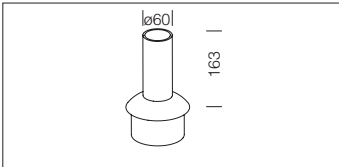


Hot-dip galvanised steel poles. Equipped with inspection window (186x45mm), removable 4-pole terminal block, max. cross-section 16 sqmm. Supplied with 2 16A safety fuses. With hole for insertion of power supply cable; with holes at different heights according to use. For the version with base, 4 log bolts to be sunk into the ground, bolts and lids have to be purchased. Standard insulation class II. When using Insulation Class I fixtures, appropriate grounding connections should be included in the system.



acc. 450 LED head CTL

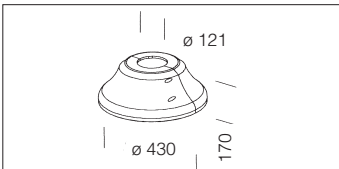
LED whi	991395-00
LED blue	991395-71
To be installed on pole to give an aesthetic finish.	



368 mast-top-pole connec.

s. silver	427002-00	€ 75,00
graphite	427003-00	€ 75,00

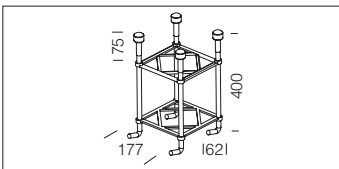
In galvanized steel. To be used as a mast-top-pole connection on poles acc. 1491/1493 \varnothing 120.



acc. 222 base pole cover

s. silver	991378-00
graphite	991381-00

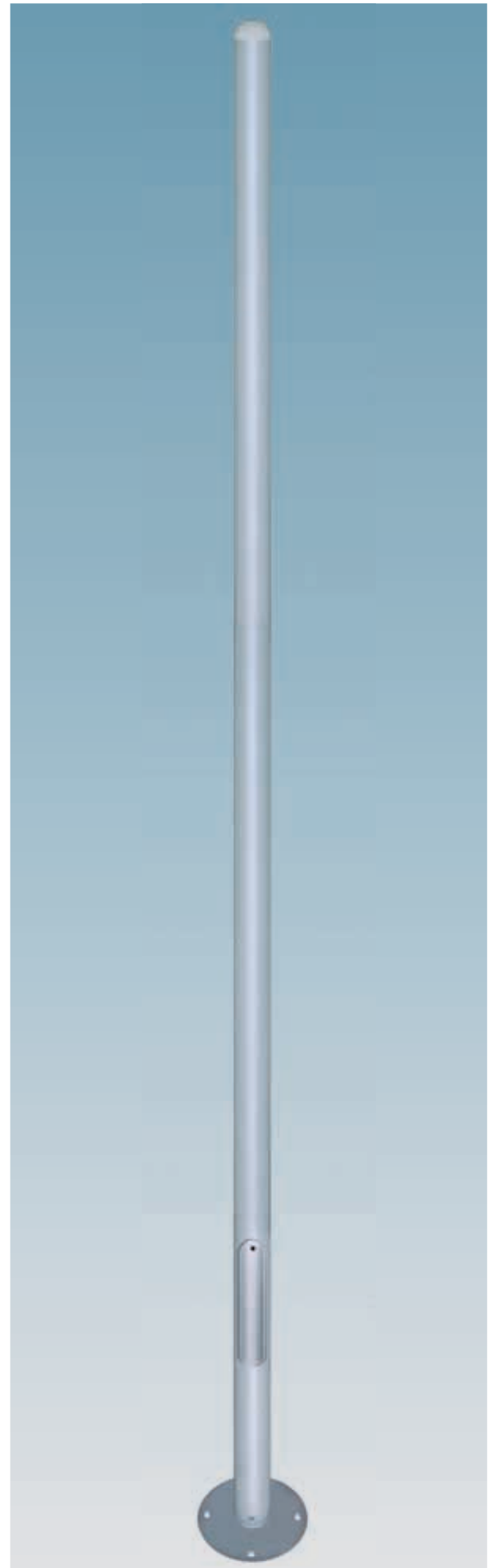
In die-cast aluminium. To be used as a base pole cover acc. 1493.

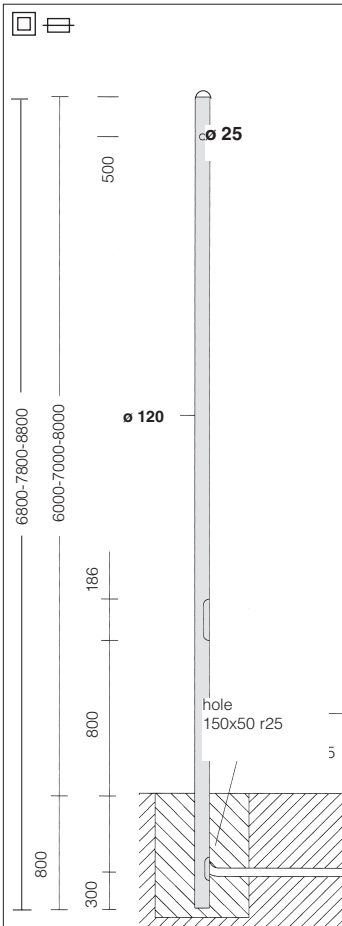


acc. 299 log bolts

	991396-00
Log bolts are to be always used with the pole 1493.	

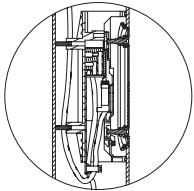
NOTE: The possibility to attach an assembly to the pole is subject to a wind pressure resistance assessment in the areas regulated by CNR-UNI standard 10032-67, according to load assumptions in UNI standard 40/6.



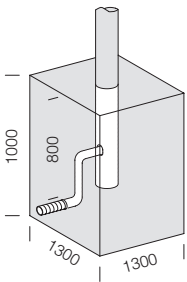


ON REQUEST
Possibility of supplying poles with the following colour paint finishes:
RAL 3003, 5011, 7026, 9011, 8015, 5002 7024, 7016, 7037, 6004, 8019, 6011, 7022, 1015, 9010.

Inspection door with easily removable terminal board for quick connection.



Concrete base dimensions (subject to soil variations)

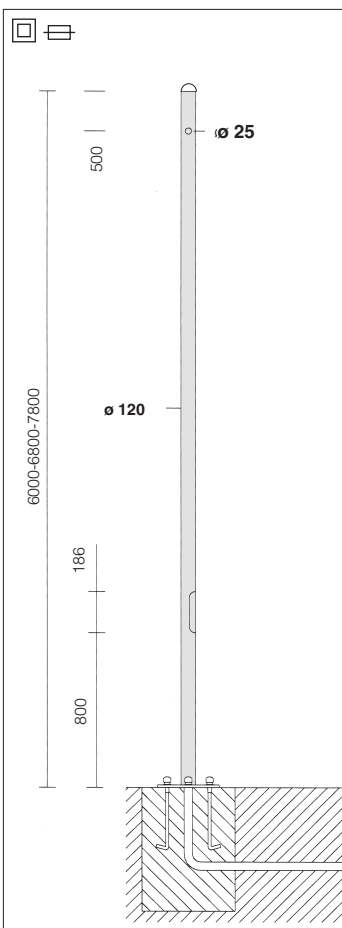




acc. 1491 steel pole to be buried

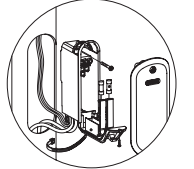
colour	code							
silver	426177-00	6800	6000	800	800	186	45	Ø 120
silver	426178-00	7800	7000					
silver	426179-00	8800	8000	800	800	186	45	Ø 120
graphite	426149-00	6800	6000					
graphite	426153-00	7800	7000					
graphite	426159-00	8800	8000					

Supplied with end cap and holes to let the cables through.

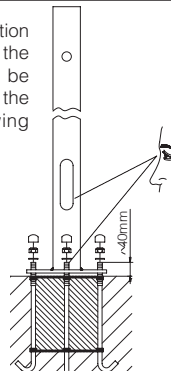


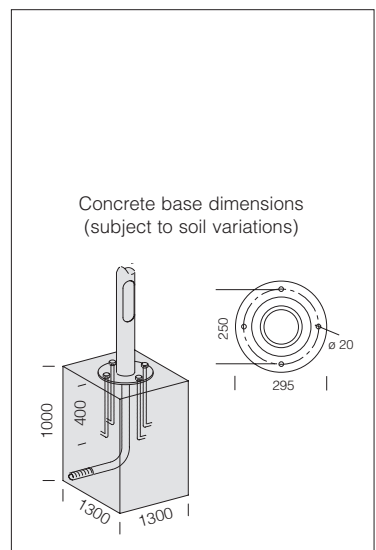
ON REQUEST
Possibility of supplying poles with the following colour paint finishes:
RAL 3003, 5011, 7026, 9011, 8015, 5002 7024, 7016, 7037, 6004, 8019, 6011, 7022, 1015, 9010.

Inspection door with easily removable terminal board for quick connection.



For correct installation of pole and base, the ceiling cap should be fitted as shown in the assembly drawing featured opposite.





acc. 1493 steel pole with base

colour	code							
silver	426197-00	6000	800	186	45	Ø 120	Ø 300 hole Ø 20	
silver	426198-00	6800						
silver	426199-00	7800						
graphite	426187-00	6000						
graphite	426188-00	6800						
graphite	426189-00	7800						

Supplied with end cap and holes to let the cables through. **Log bolts are to be bought separately acc. 299.**

