

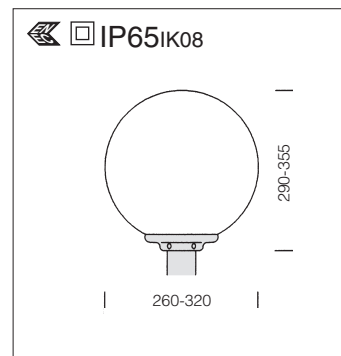


Opal (OP)



Smooth cognac (CL)

Clear (TR)



Housing: in fibreglass UV-stabilised nylon.

Diffuser: vandal resistant, V2 self-extinguishing, UV-stabilised polycarbonate.

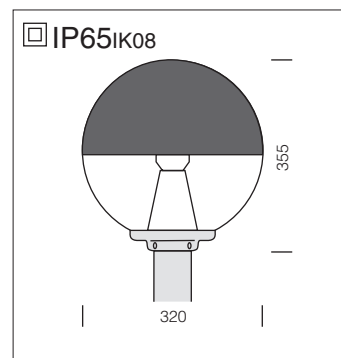
			1350 Sferico		
			S	Finish	
wattage	diameter	colour	code		
Max 40	ø 260	TR	426700-00		TR = Clear OP = Opal CL = Smooth Cognac
Max 40	ø 260	OP	426701-00		
Max 40	ø 260	CL	426702-00		
Max 60	ø 320	TR	426704-00		
Max 60	ø 320	OP	426705-00		
Max 60	ø 320	CL	426706-00		

For poles: see chapter under "Fibreglass poles".



Smooth silver

Black



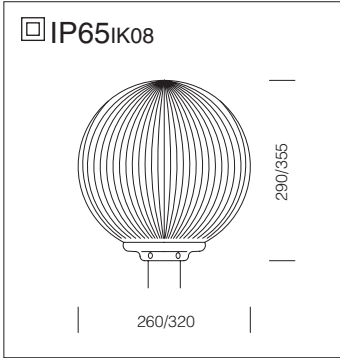
Housing: in fibreglass UV-stabilised nylon.

Diffuser: vandal resistant, V2 self-extinguishing, UV-stabilised polycarbonate; smooth.

Coating: polyurethane resin liquid/spray coating.

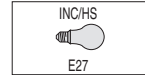
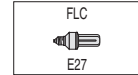
			1355 Sferico - painted		
			S	Light pollution preventing system	
wattage	diameter	colour	code		
FLC 23 EL	ø 320	black	426716-00		On request with sub-code -0016: internal version with painted black.
FLC 23 EL	ø 320	smooth sil.	426717-00		

For poles: see chapter under "Fibreglass poles".



Housing: in fibreglass UV-stabilised nylon.

Diffuser: in clear methacrylate, grooved inside and smooth outside, dust-proof.



Scored clear

Scored opal

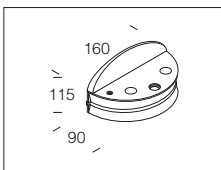
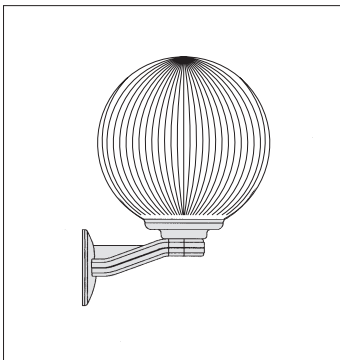


1356 Globe - clear scored					
			S	Finish	
wattage	diameter	colour	code		In clear methacrylate, grooved inside and smooth outside, dust-proof.
Max 60	ø 260	clear	426720-00		
Max 60	ø 320	clear	426721-00		

For poles: see chapter under "Fibreglass poles".

1357 Globe - opal scored					
			S	Finish	
wattage	diameter	colour	code		In clear methacrylate, grooved inside and smooth outside, dust-proof.
Max 60	ø 260	Opal	426730-00		
Max 60	ø 320	Opal	426731-00		

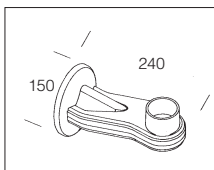
For poles: see chapter under "Fibreglass poles".



acc. 1372 - wall mounting unit

black	433100-00
-------	-----------

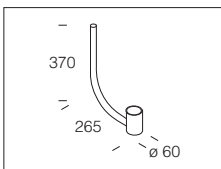
In aluminium, painted by epoxy cationic electrocoating. For wall mounting of arms acc. 1370.



acc. 1377 - nylon arm

black	991605-00
-------	-----------

In fibreglass nylon. For wall mounting Globes 1350/6/7.



acc. 1370 - arm

black	441210-00
-------	-----------

Tropicalised cationic-electrocoated steel. Use in combination with base acc. 1372.