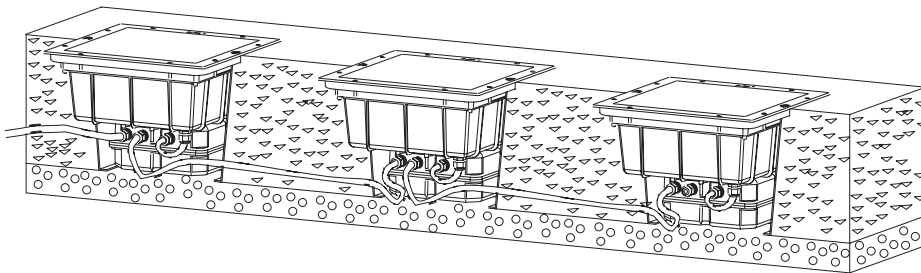
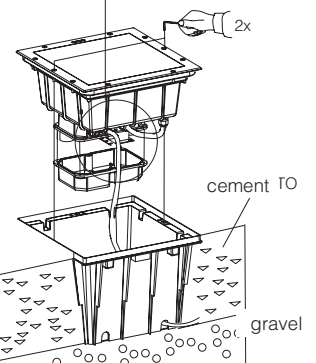
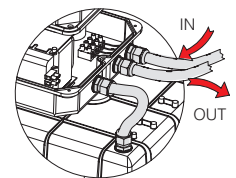




The brickwork must be able to bear a load of 2000 kg without strain.
Continuous line available. Can be installed with any type of flooring.



Supplied with gear box.





Simulation with art. 1810 (SAP-TS)

Simulation with art. 1811



Simulation with art. 1810

Simulation with art. 1813

RESIDENTIAL AMENITIES



We created small casings for MiniQuadro lamps, for outdoor and indoor applications. **They are flexible for lighting public spaces, nightclubs, bars, restaurants, hotels, temporary exhibitions and shopping centres.**

Also available in a smaller version for private, residential applications, such as gardens, porticos and terraces.

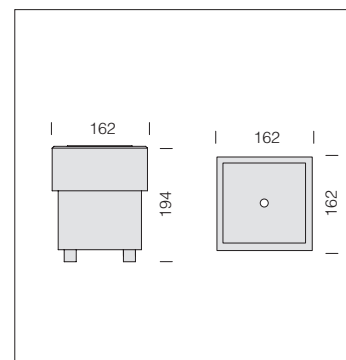
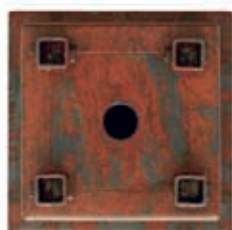
The name "Nomad Lamp" defines and highlights the particular nature of the product, i.e., flexibility and total freedom of use. **Adjustable and movable.**

Use together with art. 1820/21.

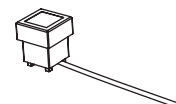
(a) (b) (c)



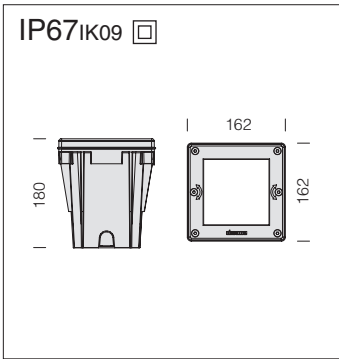
The finishes designed for the entire range are:
 (a) Corten Steel;
 (b) Natural black waxed plate;
 (c) Water oxidized plate;
 Special coatings upon request



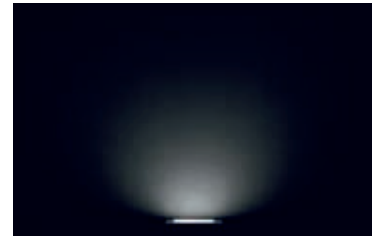
Available upon request, wire and socket for quick connection.



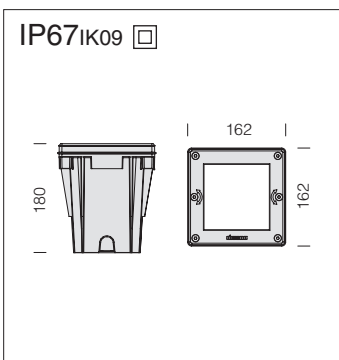
1824 Mini Nomade		
versions	weight	code
corten Steel	3.50	991500-00
natural black waxed plate	3.50	991501-00
water oxidized plate	3.50	991502-00



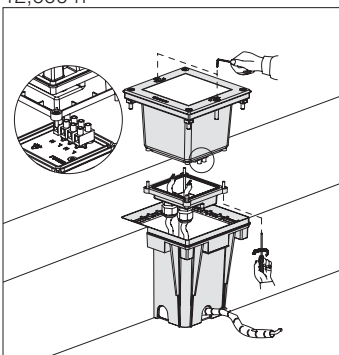
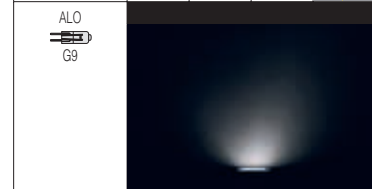
Housing: made of nylon.
Frame: in AISI 304 stainless steel.
Outer casing: nylon outer casing.
Reflector: wide beam, in frosted aluminium.
Diffuser: tempered glass, 12mm thick, resistant to thermal shock, and mechanical stress up to 4000 Kg
Electric gear: 220-240V/50-60Hz power supply. Nylon gear box with terminal block 4P 4 mm². Provision for in-out wire, 1/2 nylon cable gland.
Equipment: silicone rubber basket.



1820 Miniquadro - wide beam									
		CELL		temperature and load					
wattage	colour	weight	code	T. max on glass		Kg max load	walked*	trafficable*	
				ta 25°C	ta 15°C				
FLC 2x5 S/E	stainless steel	1.80	530400-00	60°C	50°C	2000	OK	OK	
FLC 5 S/E = 4000K - 250lm - Ra 1b. On request: steel AISI 316L frame.									



Reflector: asymmetric, in frosted aluminium.
 Lamp CDM-TM runs on a quarter of the energy consumed by standard lamps. Its average life has more than tripled. Particularly suitable for use as accent lighting, useful life: 12,000 h



1821 Miniquadro - asymmetric									
		CNRL		S		temperature and load			
wattage	colour	weight	code	weight	code	T. max on glass		walked*	trafficable*
						ta 25°C	ta 15°C		
CDM-TM 20 mini	stainless steel	1.80	530410-00			90°C	80°C	OK	OK
ALO 25	stainless steel			1.40	530411-00	100°C	90°C	OK	
CDM-TM 20 = 3000K - 1650lm - Ra 1b. Max load = Kg 2000Kg. On request: steel AISI 316L frame.									



We created small casings for Quadro lamps, for outdoor and indoor applications. **They are flexible for lighting public spaces, nightclubs, bars, restaurants, hotels, temporary exhibitions and shopping centres.**

Also available in a smaller version for private, residential applications, such as gardens, porticos and terraces.

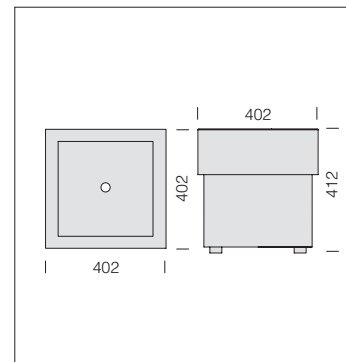
The name "Nomad Lamp" defines and highlights the particular nature of the product, i.e., flexibility and total freedom of use. **Adjustable and movable.**

Use together with art. 1810/11/12/13/18.

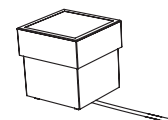
(a) (b) (c)



The finishes designed for the entire range are:
 (a) Corten Steel;
 (b) Natural black waxed plate;
 (c) Water oxidized plate;
 Special coatings upon request



Available upon request, wire and socket for quick connection.



1825 Mini Nomade		
versions	weight	code
corten Steel	3.50	991510-00
natural black waxed plate	3.50	991511-00
water oxidized plate	3.50	991512-00

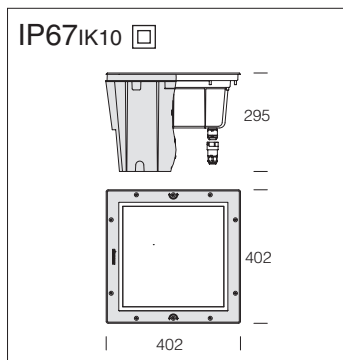
Housing: die-cast aluminium with silver powder coating.

Frame: in AISI 304 stainless steel.

Outer casing: nylon outer casing and terminal block. Separate electric gear supplied to reduce thermal shock on the components and to simplify the installation process.

Diffuser: tempered glass, 5mm thick, resistant to thermal shock. External tempered glass, 15mm thick, resistant to thermal shock and mechanical stress up to 2000 Kg

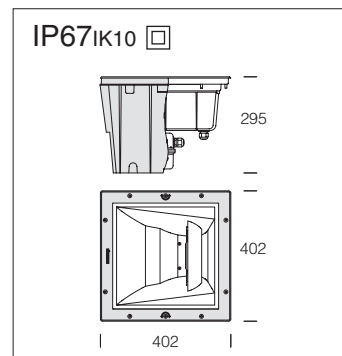
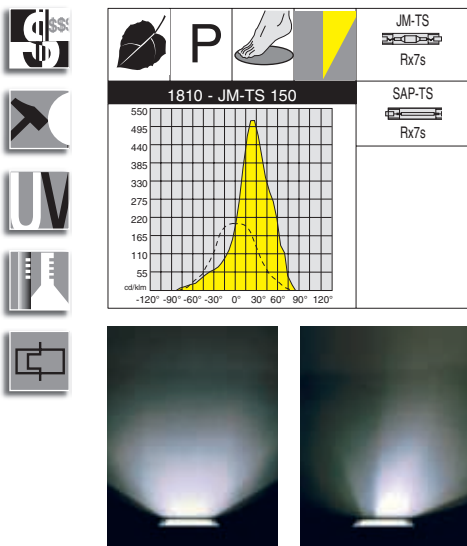
Electric gear: 230V/50Hz power supply. Nylon gear box with 4 sq mm 4P terminal block. Provision for in-out wire, 1/2 inch nylon cable glands and double insulation wire, 1 sq mm cross section.



FLC.../L
2G11

1818 Quadro - energy saving									
		CNRL		temperature and load				Lamps (Ta=25°C)	
wattage	colour	weight	code	T. max on glass		Kg max load	walked*	traffica-ble*	Kelvin - ølm - Ra
				ta 25°C	ta 15°C				
FLC 2x18L	stainless steel	11.00	530980-00	50°	40°	3000	OK	OK	4000K - 1200lm - Ra 1b

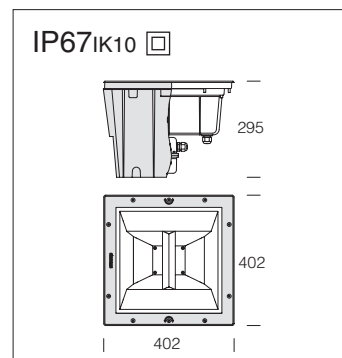
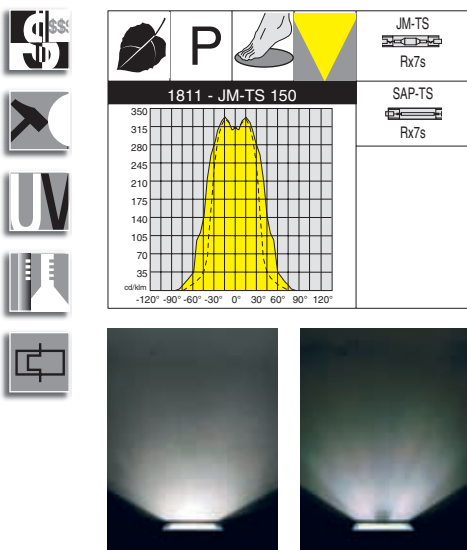
On request: steel AISI 316L frame.



Reflector: asymmetric, in frosted aluminium, anodically oxidized and polished. Anti-glare louvre designed to reduce glass temperature.

1810 Quadro - asymmetric

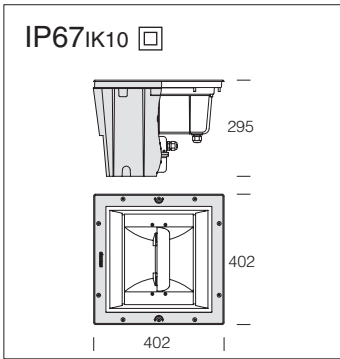
wattage	colour	CNRL		temperature and load				Lamps (Ta=25°C)	
		weight	code	T. max on glass		Kg max load	walked*	trafficable*	Kelvin - ølm - lm/W - Ra
				ta 25°C	ta 15°C				
JM-TS 70	stainless steel	15.00	530900-00	65°C	55°C	3000	OK	OK	4200K - 5700lm - Ra 1b
JM-TS 150	stainless steel	16.00	530901-00	80°C	70°C	3000	OK	OK	4200K - 12000lm - Ra 1b
SAP-TS 70	stainless steel	15.00	530902-00	65°C	55°C	3000	OK	OK	2000K - 6800lm - Ra 4
SAP-TS 150	stainless steel	16.00	530903-00	80°C	70°C	3000	OK	OK	2000K - 15000lm - Ra 4



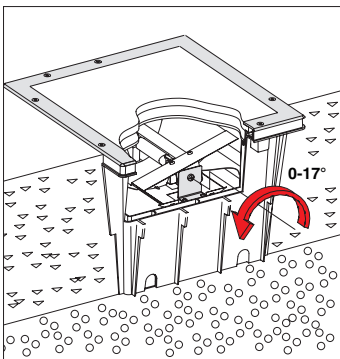
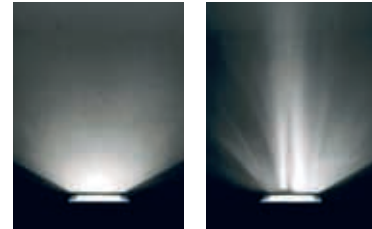
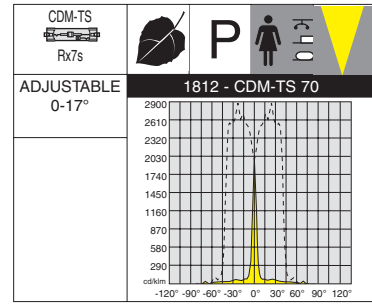
Reflector: symmetric, in hammered aluminium, anodically oxidized and polished. Anti-glare louvre designed to reduce glass temperature.

1811 Quadro - wide beam

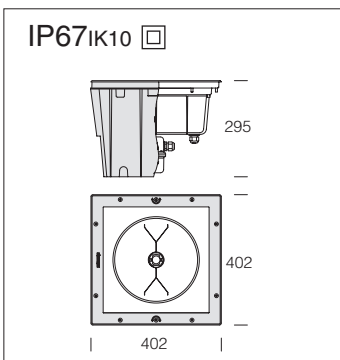
wattage	colour	CNRL		temperature and load				Lamps (Ta=25°C)	
		weight	code	T. max on glass		Kg max load	walked*	trafficable*	Kelvin - ølm - lm/W - Ra
				ta 25°C	ta 15°C				
JM-TS 70	stainless steel	15.00	530910-00	60°C	50°C	3000	OK	OK	4200K - 5700lm - Ra 1b
JM-TS 150	stainless steel	16.00	530911-00	75°C	65°C	3000	OK	OK	4200K - 12000lm - Ra 1b
SAP-TS 70	stainless steel	15.00	530912-00	60°C	50°C	3000	OK	OK	2000K - 6800lm - Ra 4
SAP-TS 150	stainless steel	16.00	530913-00	75°C	65°C	3000	OK	OK	2000K - 15000lm - Ra 4



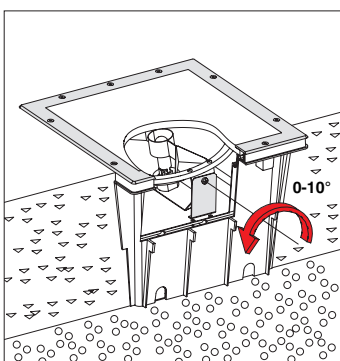
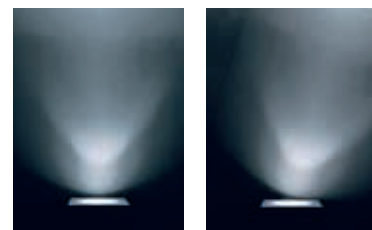
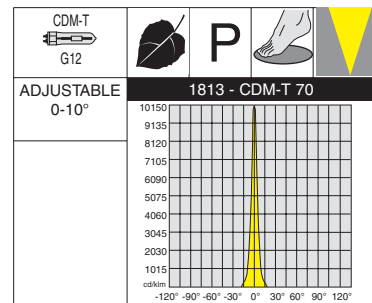
Reflector: symmetric, in specular aluminium, anodically oxidized and polished. Anti-glare louvre designed to reduce glass temperature.



1812 Quadro - narrow beam/adjustable								
		CNRL		temperature and load				
wattage	colour	weight	code	T. max on glass		Kg max load	walked*	trafficable*
				ta 25°C	ta 15°C			
CDM-TS 70	stainless steel	15.00	530920-00	70°C	60°C	3000	OK	OK
Adjustability 0-17° CDM-TS 70: 4000K - 5700lm - Ra 1b								



Reflector: symmetric, in frosted aluminium, anodically oxidized and polished. Anti-glare louvre designed to reduce glass temperature.



1813 Quadro - narrow beam/adjustable								
		CNRL		temperature and load				
wattage	colour	weight	code	T. max on glass		Kg max load	walked*	trafficable*
				ta 25°C	ta 15°C			
CDM-T 70	stainless steel	15.00	530930-00	100°C	90°C	3000	OK	
Adjustability 0-10° CDM-TS 70: 4000K - 5700lm - Ra 1b								