

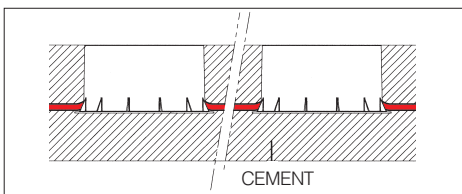
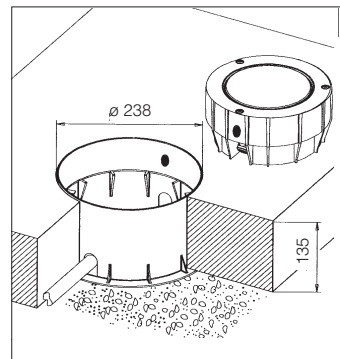


Housing: Fibreglass nylon.
Frame: AISI 316L stainless steel.
Diffuser: Smooth, clear tempered glass protection, thickness 12 mm, resistant to thermal shock, impact, and load.
Electric gear: 230V power supply. Double insulation wire 1 sqmm. 2P terminal block (maximum allowed lead cross-section 4 sqmm.); fitted for continuous line connection.
Standard supply: Standard supply includes recessed mounting box and power cable.
Equipment: silicone rubber gasket. Removable gear tray for easy maintenance.



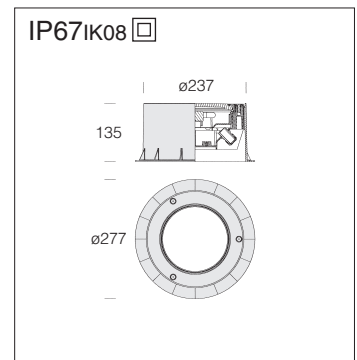
External enclosure for the recessed fixture.

The housing is designed to allow supply cable insertion in two points for continuous line mounting. The wall structure should support a load of 2000kg without strain.



As the bottom is open to allow for draining, a gravel bed should be prepared at the time of installation.

LED LED and powered version.

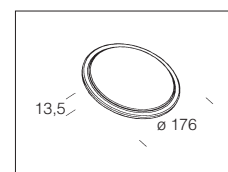


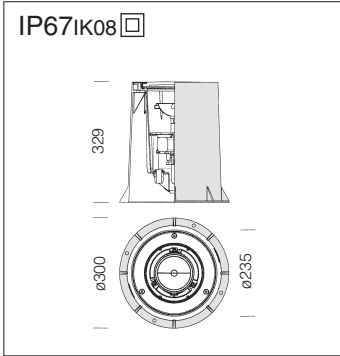
1642 Minifloor - fixed								
		CNRL		temperature and load				
wattage	colour	weight	code	T. max on glass		Kg max load	walked	trafficable
				ta 25°C	ta 15°C			
FLC 2x7S	s. steel	2.50	530740-00	55°C	45°C	1000	OK	

Supplied with lamps 7W-4000K energy saving.

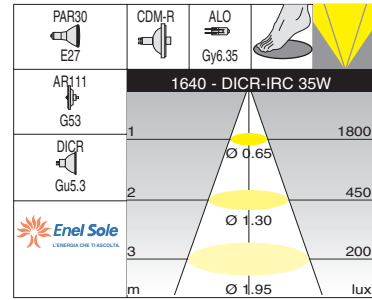
acc. 169 - coloured glass	
red	990105-00
blue	990106-00
green	990107-00

Coloured tempered glass to replace the standard glass in art. 1642.





Frame: AISI 316L stainless steel.
Diffuser: smooth, clear tempered glass protection.

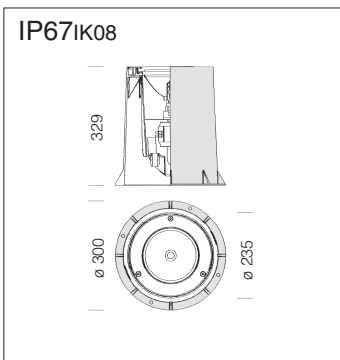


The outer casing is designed to accept the power supply pipe (hole Ø 40) in 2 places. The masonry must be able to support a load of 2000 kg without strain. As the bottom is open to allow for draining, a gravel bed should be prepared at the time of installation. The electric gear is inside the luminaire.

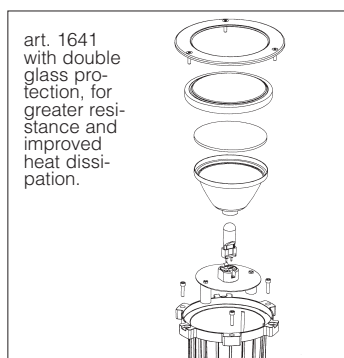
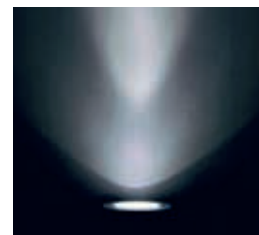
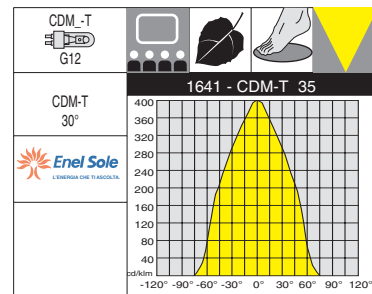


		1640 Minifloor - adjustable				temperature and load						
wattage	colour	S		CTL		CNRL		T. max on glass		max kg load	walked	trafficable
		weight	code	weight	code	weight	code	ta 25°C	ta 15°C			
PAR 30/75W	stainless steel	4.50	530720-00					85°C	75°C	2000	OK	
AR 111/50W	stainless steel			5.50	530721-00			100°C	90°C	2000	OK	
ALO 50	stainless steel			5.50	530722-00			75°C	65°C	2000	OK	OK
DICR 35 - IRC	stainless steel			5.50	530723-00			70°C	60°C	2000	OK	OK
CDM-R 111 35	stainless steel					5.50	530733-00	110°C	100°C	2000		

The CTL version is complete with ballast.
 CDM-R 111 35: 3000K - 8500cd - 24°



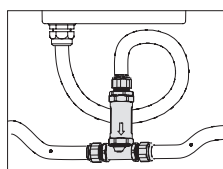
Diffuser: Double protection includes one smooth, clear tempered glass, thickness: 5 mm, and one pressed glass, thickness 12 mm, clear, resistant to thermal shock, impact, and load.



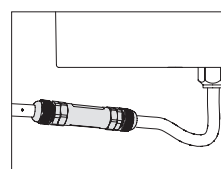
art. 1641 with double glass protection, for greater resistance and improved heat dissipation.

		1641 Minifloor - fixed				temperature and load		Lamps (Ta=25°C)	
wattage	colour	CNRL		T. max on glass		Kg max load	Kelvin - ølm - Ra		
		weight	code	ta 25°C	ta 15°C				
CDM-T 35	stainless steel	5.80	530732-00	110°C	100°C	2000	3000K - 3400lm - Ra 1b		

Frame: AISI 316L stainless steel. **Reflector:** anodised and polished aluminium.



acc. 399 - Conn. for continuous line
 993837-00
 Connector for solid line to be used with acc 369 for continuous lines.



acc. 369 - Connector
 998038-00
 To be used for continuous lines and to achieve waterproof connection.