

Housing: fibreglass nylon with stainless steel AISI 316L frame.

Diffuser: tempered glass, resistant to impact and thermal shock.

Reflector: symmetric and asymmetric version.

Electric gear: 12V-50Hz power supply with external transformer acc.179.

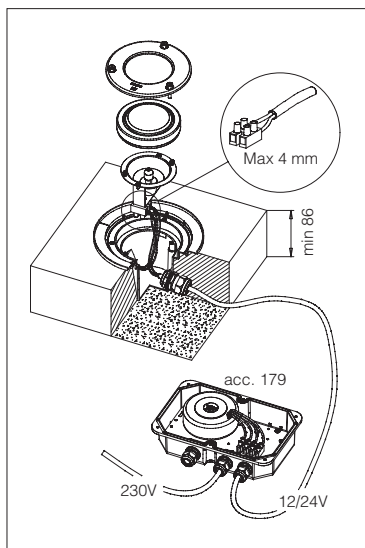
Equipment: silicone rubber.

		S+L		temperature and load				
wattage	colour	weight	code	T. max on glass		max kg load	can be trodden on*	trafficable*
				ta 25°C	ta 15°C			
ALO 20	s. steel	0.40	530750-00	95°C	85°C	2000	OK	

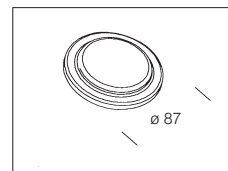
ALO 20 (12V) low tension=320lm

		S+L		temperature and load				
wattage	colour	weight	code	T. max on glass		max kg load	can be trodden on*	trafficable*
				ta 25°C	ta 15°C			
DICR 20 ALU	s. steel	0.40	530760-00	100°C	90°C	2000	OK	
ALO 20	s. steel	0.40	530761-00	95°C	85°C	2000	OK	

ALO 20 (12V) low tension=320lm - DICR 20 ALU 36°=700 cd

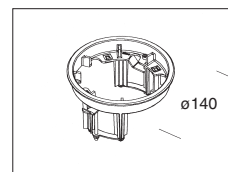
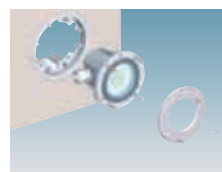


acc. 201 - coloured glass	
red	990108-00
blue	990109-00
green	990110-00



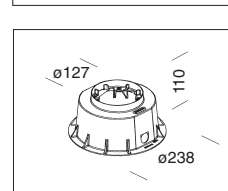
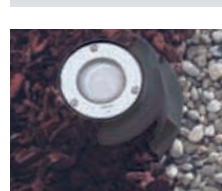
acc. 314 - frame	
	993926-00

To install Microfloor into walls



acc. 313 - outer shell	
	993925-00

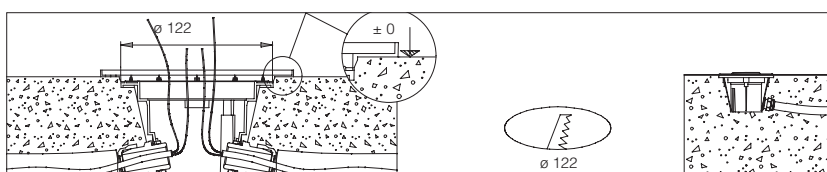
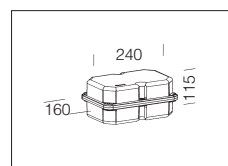
To install Microfloor into the ground.

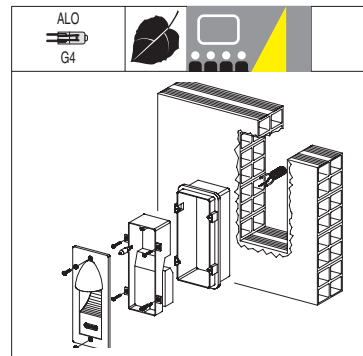
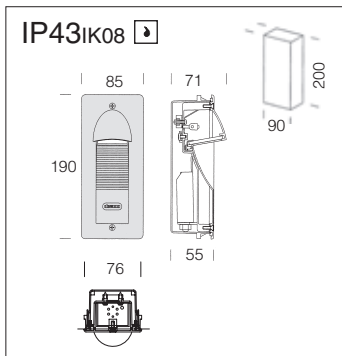


		acc 179 - electric gear CC-IP677	
		CT	
wattage	colour	weight	code
60 W	black	2.00	997661-00
105 W	black	2.00	997662-00

transformer for **max 3 fixtures**
transformer for **max 5 fixtures**

Nylon watertight box. Containing the electro-mechanical transformer and terminal block.





Housing/frame: in die-cast aluminium.

Diffuser: in tempered glass, thermal shock and impact resistant.

Coating: in several stages. First stage: epoxy cationic electrocoating, resistant to corrosive and saline environments. Second stage: UV-stabiliser priming, and final stage: rough finish with metallic silver acrylic coating(it has passed the UNI ISO 9227 1000 hr test).

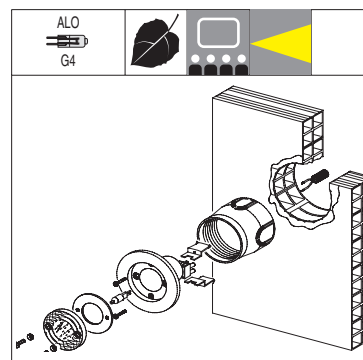
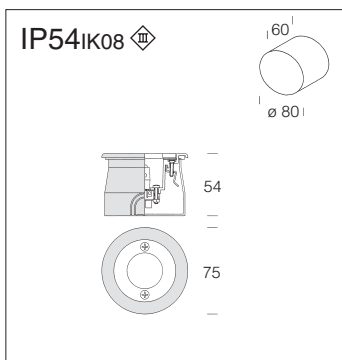
Electric gear: 12V/50Hz power supply with transformer.

Equipment: silicone rubber.

1619 Mini - rectangular wall version

		CTL		Lamps
wattage	colour	weight	code	
ALO 20	m. silver	0.50	530673-00	ALO 20 low tension (12 V) - 320Cd

Version includes built-in transformer.



Housing/frame: in die-cast aluminium.

Diffuser: in tempered glass, thermal shock and impact resistant.

Coating: in several stages. First stage: epoxy cationic electrocoating, resistant to corrosive and saline environments. Second stage: UV-stabiliser priming, and final stage: rough finish with metallic silver acrylic coating(it has passed the UNI ISO 9227 1000 hr test).

Electric gear: 12V/50Hz power supply with transformer.

Equipment: silicone rubber and EPDM gasket.

1618 Mini - wall version

		S+L		Lamps
wattage	colour	weight	code	
ALO 10	m. silver	0.10	530670-00	ALO 10 low tension (12 V) - 320Cd - 110lm
ALO 20	m. silver	0.10	530671-00	ALO 20 low tension (12 V) - 320Cd - 110lm

Separate transformer required.