

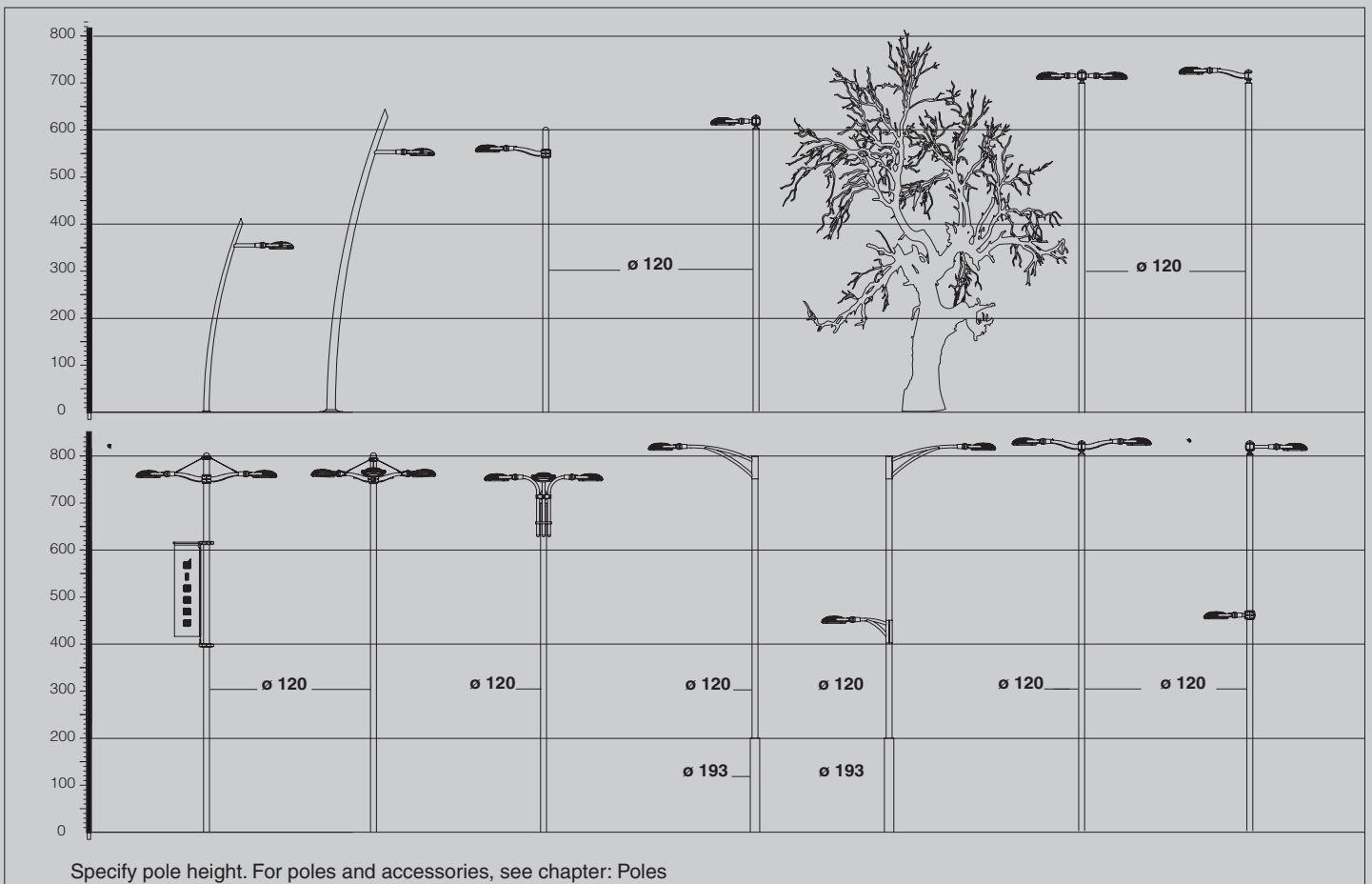


Standard supply includes two knife switches (one inside and one on the connector) for quick installation and easy maintenance.



Hinge opening for easier maintenance. Removable gear tray.

On request:
coloured versions (for additional cost).



Specify pole height. For poles and accessories, see chapter: Poles

metropolis

STUDIO DAL LAGO
ARCHITETTI ADALBERTO DAL LAGO - ALFREDO RUMOR



The skeleton of a hedgehog, the spiral shape of a snail. Natural creations we have been used to since childhood that are still able to amaze us. Signs laden with meaning that great design chooses to evoke through objects created to redesign the urban landscape.

Aldalberto Dal Lago

Studio Dal Lago and associates has offices in Milan and New York. The company deals with architecture and design. Next to numerous industrial design projects, the firm has also designed several lighting fixtures.

Nowadays, street lighting requires accurate planning to obtain accurate light distribution and good aesthetic results.

Metropolis is the creation of a master of industrial design. This directional lighting fixture is a visually striking, solid luminaire that can be accessorized with a choice of different optic units.

Housing/Cover: In die-cast aluminium with adjustment bracket and connection for installation on Ø60 poles. With aluminium latches and safety device against accidental opening.

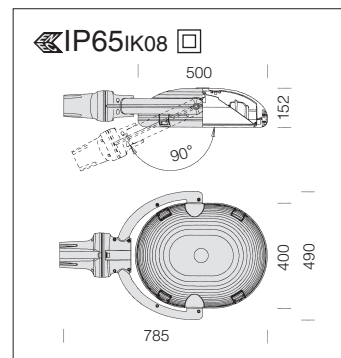
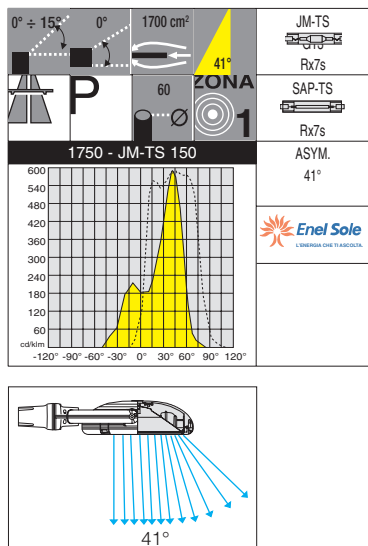
Diffuser: Tempered glass 5mm thick, resistant to impact and thermal shock (UNI7142 tests, British standard 3193).

Coating: In several stages: epoxy cationic electrocoating; second coat of rough finish stage with frosted silver or graphite acrylic paint.

Electric gear: 230V/50Hz power supply: Wire terminated with quick-connect admiralty brass clamps. Silicone double insulation, cross section 1 sqmm. 2P terminal block (maximum allowed lead cross-section: 2.5mm sqmm).

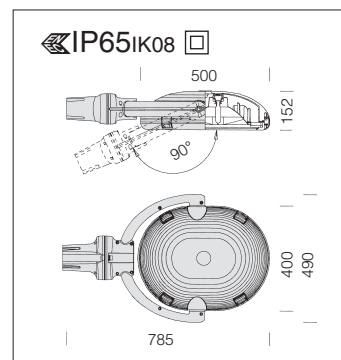
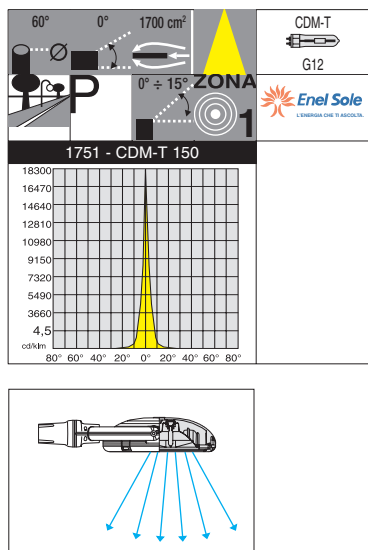
Standard supply: Electric gear on a removable tray with quick connectors for line and lampholder connection. Standard supply includes Ø 60 pole adapter.

Equipment: During maintenance the cover stays attached by means of a steel hinge. Environment-friendly gasket. Rotation bracket with protractor scale for housing adjustment. Standard supply includes two knife switches, one for quick pole installation and one for maintenance.



Optic unit: LIGHT POLLUTION PREVENTING OPTICAL SYSTEM. In hammered 99.85 aluminium, oxidized, 3 μ thick, polished.

1750 Metropolis - asymmetric				
		CNRL		Lamps (Ta=25°C)
wattage	colour	weight	code	Kelvin - ølm - lm/W
JM-TS 150	s. silver	13.70	422821-00	4200K - 12000lm - Ra 1b
SAP-TS 150	s. silver	14.00	422822-00	2000K - 15000lm - Ra 4
JM-TS 150	graphite	13.70	422824-00	4200K - 12000lm - Ra 1b
SAP-TS 150	graphite	14.00	422825-00	2000K - 15000lm - Ra 4

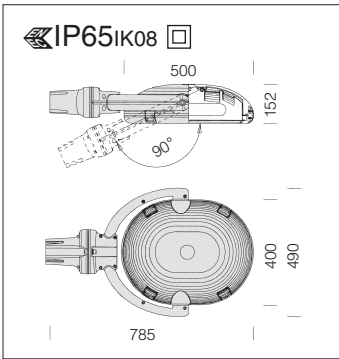


Optic unit: LIGHT POLLUTION PREVENTING OPTICAL SYSTEM. In turned 99.85 aluminium, oxidized, 3 μ thick, polished.

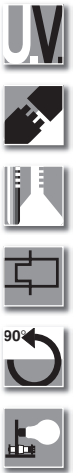
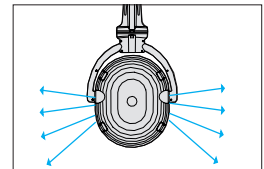
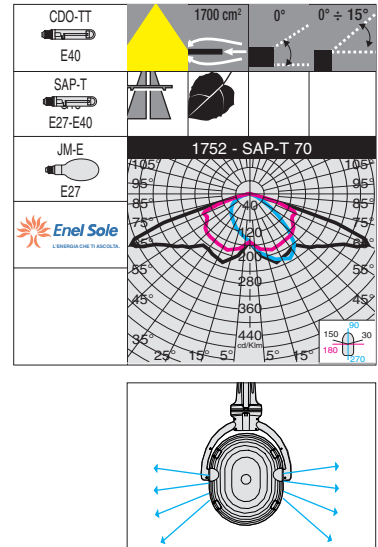
1751 Metropolis - narrow beam				
		CNRL		Lamps (Ta=25°C)
wattage	colour	weight	code	Kelvin - ølm - Ra
CDM-T 150	s. silver	13.30	422923-00	3000K - 14000lm - Ra 1b
CDM-T 150	graphite	13.30	422927-00	3000K - 14000lm - Ra 1b

Suitable for enhancing details (such as monuments).

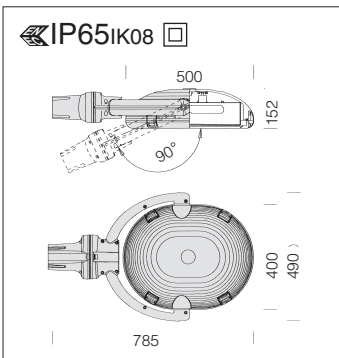




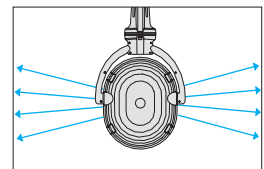
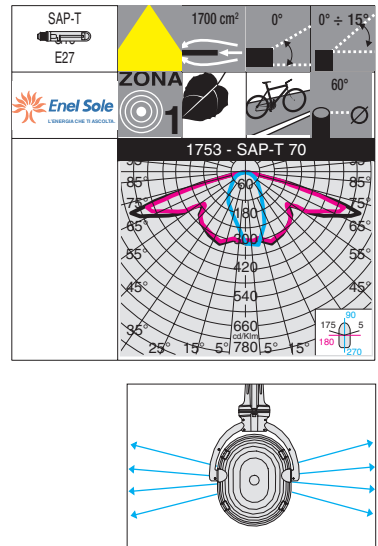
Optic unit: LIGHT POLLUTION PREVENTING OPTICAL SYSTEM. In hammered 99.85 aluminium, oxidized, 3 μ thick, polished with flux recovery.



1752 Metropolis - wide beam				
wattage	colour	CNRL		Lamps (Ta=25°C)
		weight	code	Kelvin - ølm - lm/W - Ra
SAP-T 70	s. silver	14.00	423020-00	2000K - 6000lm - Ra 4
SAP-T 150	s. silver	14.00	423021-00	2000K - 15000lm - Ra 4
SAP-T 250	s. silver	14.00	423028-00	2000K - 28000lm - Ra 4
JM-E 150	s. silver	14.00	423022-00	4000K - 14000lm - Ra 1b
CDO-TT 150	s. silver	14.00	423023-00	2800K - 13500lm - Ra 1b
SAP-T 70	graphite	14.00	423024-00	2000K - 6000lm - Ra 4
SAP-T 150	graphite	14.00	423025-00	2000K - 15000lm - Ra 4
SAP-T 250	graphite	14.00	423029-00	2000K - 28000lm - Ra 4
JM-E 150	graphite	14.00	423026-00	4000K - 14000lm - Ra 1b
CDO-TT 150	graphite	14.00	423027-00	2800K - 13500lm - Ra 1b



Optic unit: LIGHT POLLUTION PREVENTING OPTICAL SYSTEM. In high-gloss 99.85 aluminium, oxidized, 3 μ thick, polished.



1753 Metropolis - bicycle pathways				
wattage	colour	CNRL		Lamps (Ta=25°C)
		weight	code	Kelvin - ølm - lm/W
SAP-T 70	s. silver	14.00	423120-00	2000K - 6000lm - Ra 4
SAP-T 70	graphite	14.00	423122-00	2000K - 6000lm - Ra 4