



Housing/Frame: made of die-cast aluminium.

Diffuser: tempered glass, resistant to impact and thermal shock.

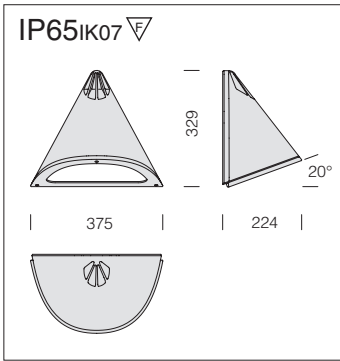
Coating: in several stages. First stage: epoxy cationic electrocoating, resistant to corrosive and saline environments. Second stage: UV stabilising priming; final stage: with frosted silver or graphite grey paint.

Standard features: silicone rubber gasket. Rubber cable gland. Captive screws.

Equipment: supplied with plate.

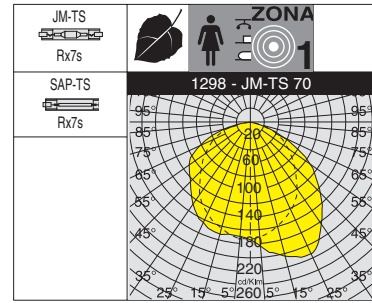
Direct/indirect lighting fixtures recommended for residential areas, shopping centres.



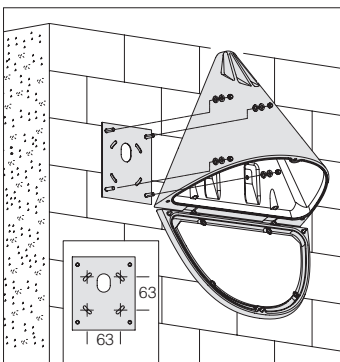


Reflector: anodically oxidised aluminium 99.85.

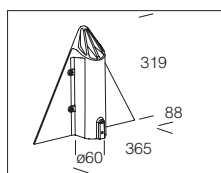
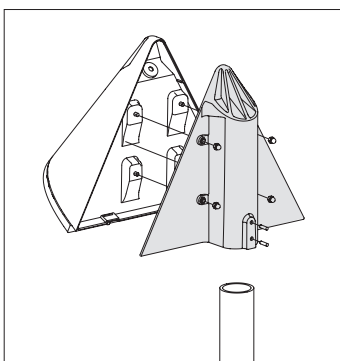
Possibility for indirect lighting



1298 Meridiana 1						
		CNRL		CELL		Lamps (Ta=25°C)
wattage	colour	weight	code	weight	code	Kelvin - ølm - Ra
FLC 2x26 D	s. silver	4.00	423091-00			4000K - 1800lm - Ra 1b
FLC 2x26 D/E	s. silver			4.00	423091-08	4000K - 1800lm - Ra 1b
JM-TS 70	s. silver	4.50	423080-00			4200K - 5700lm - Ra 1b
JM-TS 150	s. silver	4.50	423081-00			4200K - 12000lm - Ra 1b
SAP-TS 70	s. silver	4.50	423082-00			2000K - 6800lm - Ra 1b
SAP-TS 150	s. silver	4.50	423083-00			2000K - 15000lm - Ra 4
FLC 2x26 D	graphite	4.00	423093-00			4000K - 1800lm - Ra 1b
FLC 2x26 D/E	graphite			4.00	423093-08	4000K - 1800lm - Ra 1b
JM-TS 70	graphite	4.50	423084-00			4200K - 5700lm - Ra 1b
JM-TS 150	graphite	4.50	423085-00			4200K - 12000lm - Ra 1b
SAP-TS 70	graphite	4.50	423086-00			2000K - 6800lm - Ra 1b
SAP-TS 150	graphite	4.50	423087-00			2000K - 15000lm - Ra 4



Supplied with plate for wall installation.



acc. 96 Pole connection Ø 60	
s. silver	991217-00
graphite	991218-00

In die-cast aluminium. To be used for fixing Meridiana on pole Ø 60.

