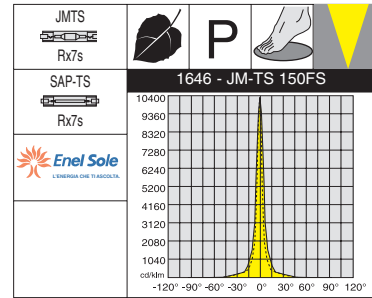


Reflector: narrow beam light diffusing, made of aluminium, anodically oxidized and polished, supplied with shutter to reduce glare and glass temperature.



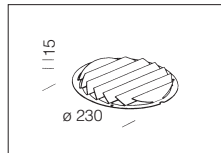
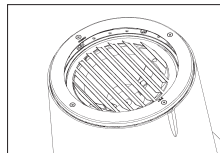
beam angle
transv. 2x5,5°
long. 2x3,5°



1646 Maxifloor - narrow beam

wattage	colour	CNRL		temperature and load				Lamps (Ta=25°C)	
		weight	code	T. max on glass		Kg max load	walked*	trafficable*	Kelvin - ølm - Ra
				ta 25°C	ta 15°C				
JM-TS 150	graphite	11.00	530832-00	100°C	90°C	2000	OK	OK	4200K - 1200lm - Ra 1b
SAP-TS 70	graphite	11.00	530833-00	80°C	70°C	2000	OK	OK	2000K - 6800lm - Ra 4

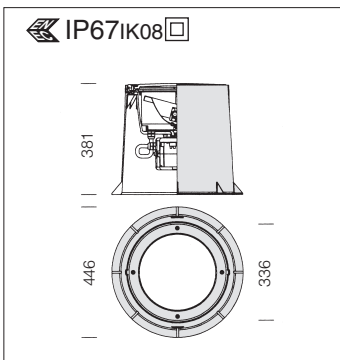
On request: lamps SAP-TS 150 version.



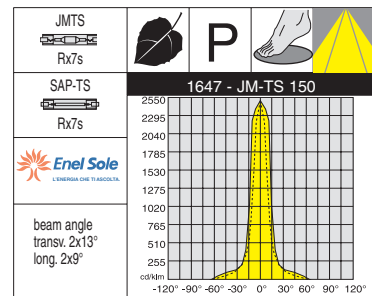
acc. 170 - anti-glare louvre

991355-00

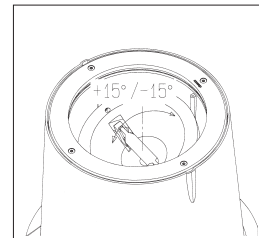
In aluminium. It allows to make luminous beam asymmetric of art. 1647.



Reflector: wide beam, made of aluminium, anodically oxidized and polished, supplied with shutter to reduce glare and glass temperature.



Adjustable optics:
± 15°



1647 Maxifloor - with adjustable reflector

wattage	colour	CNRL		CNRL - coloured lamps		temperature and load				
		weight	code	weight	code	T. max on glass		Kg max load	walked*	trafficable*
						ta 25°C	ta 15°C			
SAP-TS 70	graphite	11.00	530843-00			80°C	70°C	2000	OK	OK
JM-TS 150	graphite	11.00	530842-00			100°C	90°C	2000	OK	OK
JM-TS 150	blue lamp			11.00	530842-96	100°C	90°C	2000	OK	OK
JM-TS 150	green lamp			11.00	530842-97	100°C	90°C	2000	OK	OK
JM-TS 150	magenta lamp			11.00	530842-98	100°C	90°C	2000	OK	OK

Adjustable reflector (± 15°).

JM-TS 150 4200K - 1200lm Ra 1b, SAP-TS 70: 2000K - 6800lm - Ra 4