





In the history of design there are traditional shapes that cannot possibly be suppressed.

Characteristic lampposts with glass lanterns are pictured in all the old photographs of every town and city, they are present in personal memories and part of the urban décor itself.

The opportunity presented by new technologies to renovate urban lighting to improve light efficiency and save energy, can be united with the desire to preserve the endless charm of old lampposts.

Lucerna is not a mere redesigned version of the traditional lamppost, but a new project where great care has been taken over the reshaping of a traditional pattern down to the most minute detail.

The lantern comes in two versions, respectively with a square and a circular section, paired with redesigned poles in matching styles that are decorated with distinctive floral motifs at the base or around the connector joining the pole to the lamp. Lucerna is also a complete urban lighting system suitable for application on single poles, in the double or "cluster" version for squares, as well as for wall or ceiling installation, such as for instance, under porticos, where lampposts cannot be fitted.

Therefore, the system lends itself to numerous applications in large and diversified areas, like historic centres, where townscape continuity should be preserved.

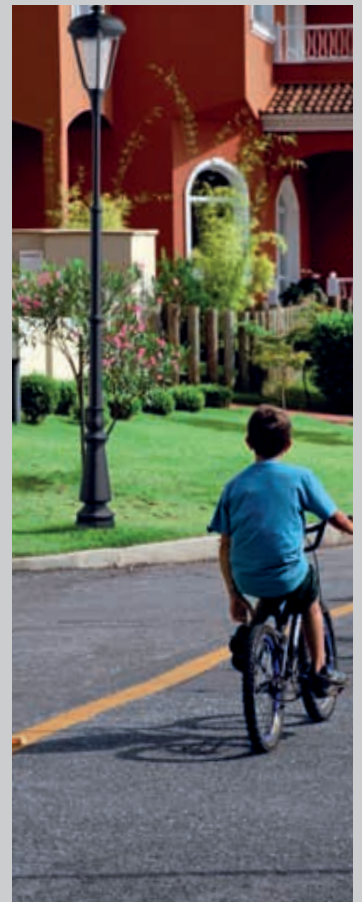
Even the most traditional lamppost can still do its job, paired with the application of new technologies.





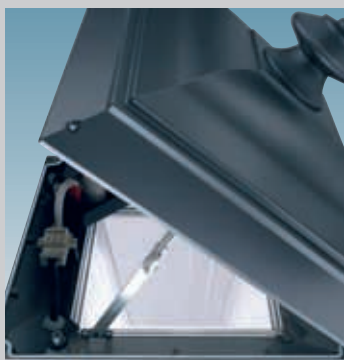
Sodium lamps or white light versions.

Progress has triggered the need for more and better quality light in urban areas. White light improves environmental appearance and reduces the risk of accidents, it brings images into sharp focus and improves safety and enhances enhancing the environment.





Supplied with socket-pin connector for quick power connection.



Safety brackets which prevent accidental closure of the lid.



Electric gear on a removable tray for quick and safe maintenance. Supplied with knife switch, which enables to cut off the power supply automatically in case of maintenance.



**Technical Specifications:**

Housing, lid, spokes, and connection for die-cast aluminium pressed poles.

Diffuser:

See product.

Floodlight:

See product.

Coating:

In different stages. Grey epoxy cationic electrocoating, resistant to corrosive and saline environments. UV stabilized priming using anthracite grey acrylic resin.

Electric Gear:

Versions with electromechanical ballast. 230V/50hz power supply with thermal protection.

Version with electronic ballast: 220-240V/50Hz power supply.

Flexible cable terminated with admiralty brass clamps, double silicone insulation. 2P terminal block with maximum allowed lead cross section of 2.5 mm².

Equipment:

Nylon wiring plate, 30% fibre glass, removable, tool-free, for quick maintenance. Standard knife switch, which enables to cut off the power supply automatically in case of maintenance. Stainless steel screws. Steel slide-away hinge, 25/10 thickness, with safety brackets which prevent accidental closure of the lid.

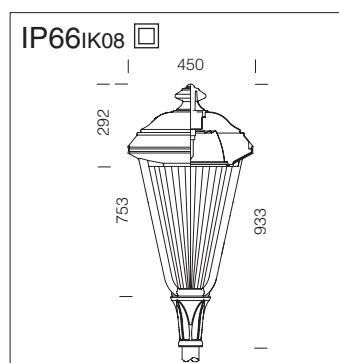
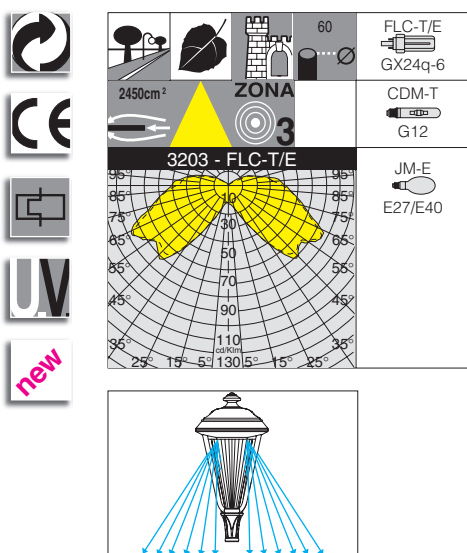
On request: Dual power option

Anti-light Pollution:

All the versions comply with current laws or regulations.

Protection Level: IP 66 IK08

Insulation Class: II



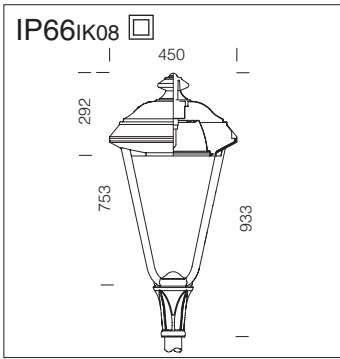
Anti- Light Pollution Floodlight: In 99.85 turned aluminium, anodically oxidized and polished.

Diffuser: In shatterproof and self-extinguishing V2 polycarbonate, UV-stabilized, frosted inside for improved glare control.

3203 Lucerna Q 3

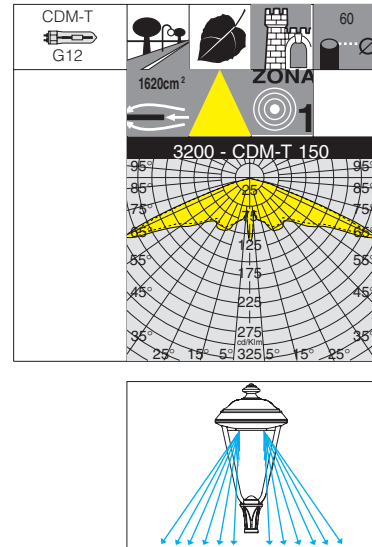
		CNRL		CELL		Lamps (Ta=25°C)
wattage	colour	weight	code	weight	code	Kelvin - ølm
FLC-T/E 70	anthracite			10.45	326934-00	3000 K - 5200 lm
CDM-T 70	anthracite	12.65	326930-00			3000 K - 6600 lm
CDM-T 150	anthracite	13.60	326931-00			3000 K - 14000 lm
JM-E 70	anthracite	12.65	326932-00			3200 K - 6400 lm
JM-E 150	anthracite	13.60	326933-00			3200 K - 13300 lm

JM version: frosted lamp
 CDM-T lamp = white light



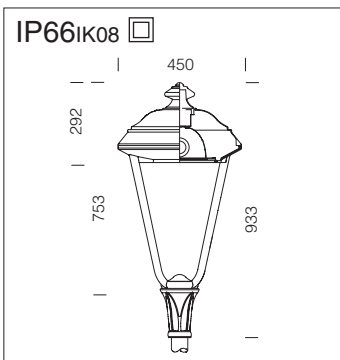
Floodlight: in 99.85 turned aluminium, anodically oxidized and polished.

Diffuser: Tempered glass, 5 mm thick, withstands thermal shock and impacts.



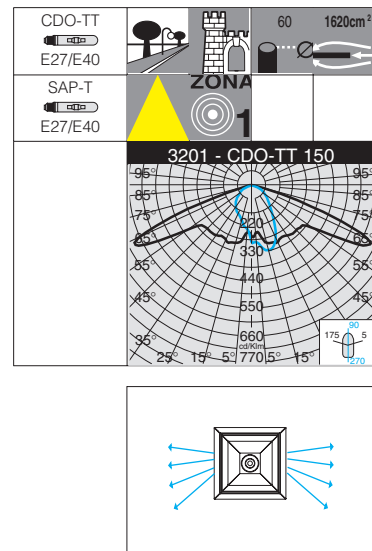
3200 Lucerna Q 1				
		CNRL		Lamps (Ta=25°C)
wattage	colour	weight	code	Kelvin - ølm
CDM-T 70	anthracite	12.45	326900-00	3000 K - 6600 lm
CDM-T 150	anthracite	13.40	326901-00	3000 K - 14000 lm

CDM-T lamp = white light



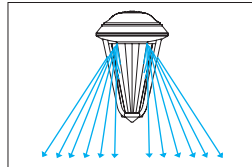
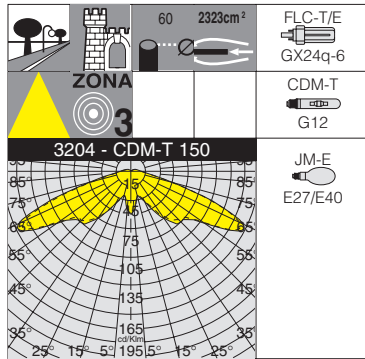
Floodlight: in 99.85 aluminium, anodically oxidized and polished.

Diffuser: Tempered glass, 5 mm thick, withstands thermal shock and impacts.



3201 Lucerna Q 2				
		CNRL		Lamps (Ta=25°C)
wattage	colour	weight	code	Kelvin - ølm
CDO-TT 70	anthracite	12.55	326910-00	2800 K - 6300 lm
SAP-T 70	anthracite	12.55	326913-00	2000 K - 5800 lm
CDO-TT 100	anthracite	12.70	326911-00	2800 K - 8800 lm
SAP-T 100	anthracite	12.70	326914-00	2000 K - 10700 lm
CDO-TT 150	anthracite	13.50	326912-00	2800 K - 13500 lm
SAP-T 150	anthracite	13.50	326915-00	2000 K - 15000 lm

CDO-TT lamp = white light



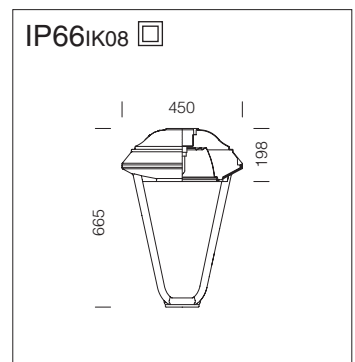
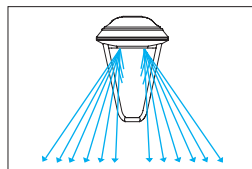
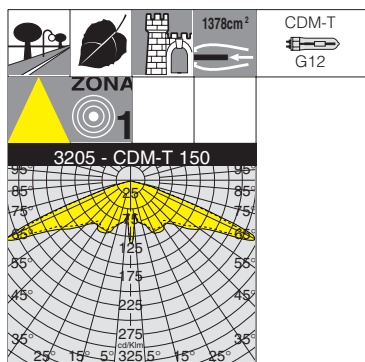
Anti- Light Pollution

Floodlight: In 99.85 turned aluminium, anodically oxidized and polished.

Diffuser: In shatterproof and self-extinguishing V2 polycarbonate, UV-stabilized, frosted inside for improved glare control.

3204 Lucerna Q 4 - suspended						
		CNRL		CELL		Lamps (Ta=25°C)
wattage	colour	weight	code	weight	code	Kelvin - ølm
FLC-T/E 70	anthracite			8.80	326944-00	3000 K - 5200 lm
CDM-T 70	anthracite	10.65	326940-00			3000 K - 6600 lm
CDM-T 150	anthracite	11.60	326941-00			3000 K - 14000 lm
JM-E 70	anthracite	10.65	326942-00			3200 K - 6400 lm
JM-E 150	anthracite	11.60	326943-00			3200 K - 13300 lm

JM version: frosted lamp. CDM-T lamp = white light. Version for installation on "Liberty" poles or for suspension applications using accessory 329.



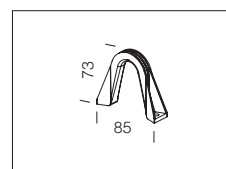
Floodlight: in 99.85 turned aluminium, anodically oxidized and polished.

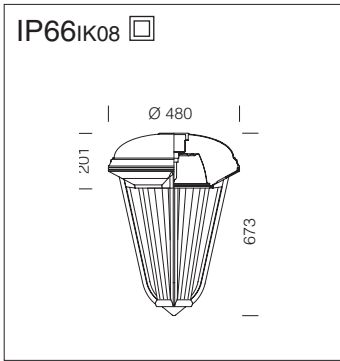
Diffuser: Tempered glass, 5 mm thick, withstands thermal shock and impacts.

3205 Lucerna Q 5 - suspended					
		CNRL		Lamps (Ta=25°C)	
wattage	colour	weight	code		Kelvin - ølm
CDM-T 70	anthracite	10.65	326945-00		3000 K - 6600 lm
CDM-T 150	anthracite	11.60	326946-00		3000 K - 14000 lm

CDM-T lamp = white light.

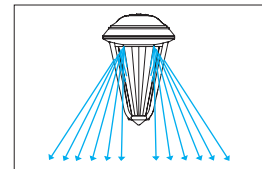
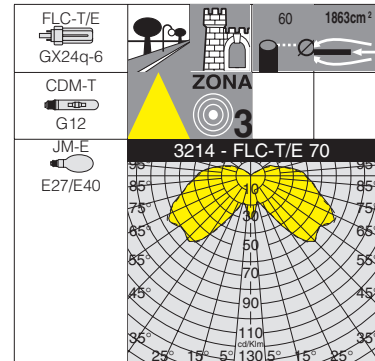
acc. 329 suspension unit	
anthracite	998003-00
In die-cast aluminium. Supplied separately for suspension applications.	





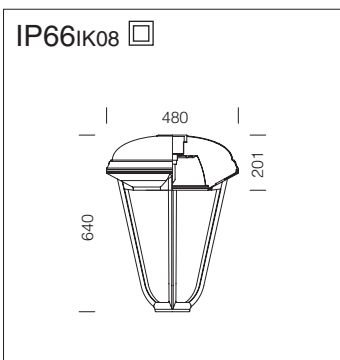
Anti- Light Pollution Floodlight: In 99.85 turned aluminium, anodically oxidized and polished.

Diffuser: In shatterproof and self-extinguishing V2 polycarbonate, UV-stabilized, frosted inside for improved glare control.



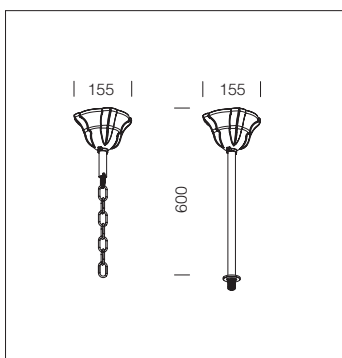
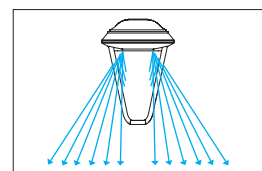
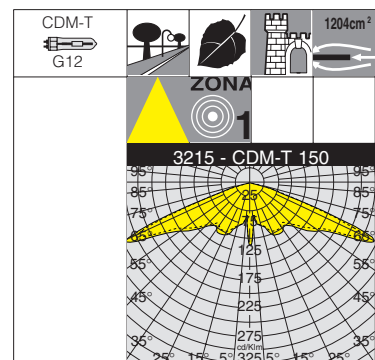
3214 Lucerna R 4 - suspended						
		CNRL		CELL		Lamps (Ta=25°C)
wattage	colour	weight	code	weight	code	Kelvin - ølm
FLC-T/E 70	anthracite			7.60	326994-00	3000 K - 5200 lm
CDM-T 70	anthracite	9.45	326990-00			3000 K - 6600 lm
CDM-T 150	anthracite	10.40	326991-00			3000 K - 14000 lm
JM-E 70	anthracite	9.45	326992-00			3200 K - 6400 lm
JM-E 150	anthracite	10.40	326993-00			3200 K - 13300 lm

JM version: frosted lamp. CDM-T lamp = white light. Version for installation on "Liberty" poles or for suspension applications using accessory 329.



Floodlight: in 99.85 turned aluminium, anodically oxidized and polished.

Diffuser: Tempered glass, 5 mm thick, withstands thermal shock and impacts.



3215 Lucerna R 5 - suspended						
		CNRL		Lamps (Ta=25°C)		
wattage	colour	weight	code	Kelvin - ølm		
CDM-T 70	anthracite	9.45	326995-00	3000 K - 6600 lm		
CDM-T 150	anthracite	10.40	326996-00	3000 K - 14000 lm		

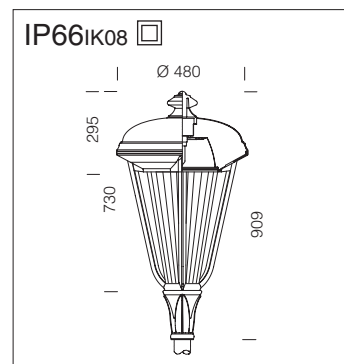
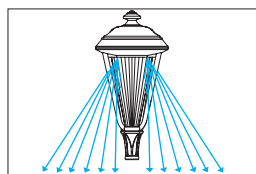
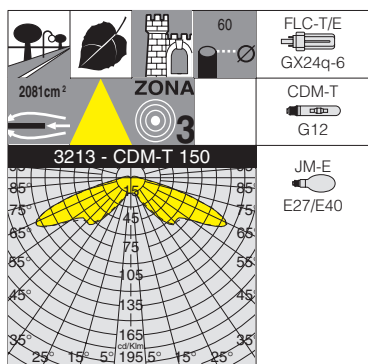
CDM-T lamp = white light.

acc. 518 chain connection	
anthracite	991284-00

Supplied with suspension chain. To be used with acc. 329.

acc. 519 rod connection	
anthracite	991285-00

Supplied with suspension rod.



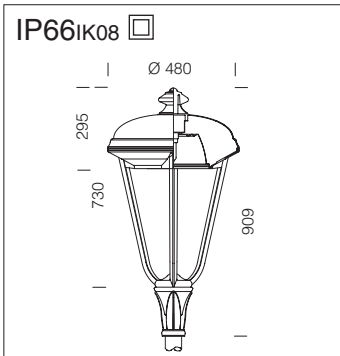
Anti- Light Pollution Floodlight: In 99.85 turned aluminium, anodically oxidized and polished.

Diffuser: In shatterproof and self-extinguishing V2 polycarbonate, UV-stabilized, frosted inside for improved glare control.

3213 Lucerna R 3

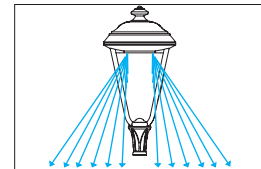
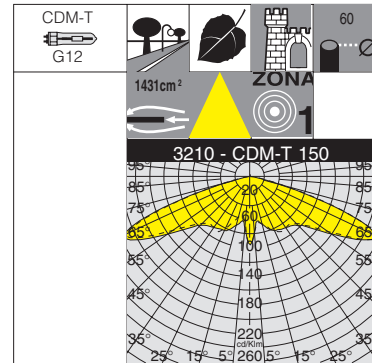
		CNRL		CELL		Lamps (Ta=25°C)
wattage	colour	weight	code	weight	code	Kelvin - olm
FLC-T/E 70	anthracite			9.25	326984-00	3000 K - 5200 lm
CDM-T 70	anthracite	11.45	326980-00			3000 K - 6600 lm
CDM-T 150	anthracite	12.40	326981-00			3000 K - 14000 lm
JM-E 70	anthracite	11.45	326982-00			3200 K - 6400 lm
JM-E 150	anthracite	12.40	326983-00			3200 K - 13300 lm

JM version: frosted lamp.
CDM-T lamp = white light



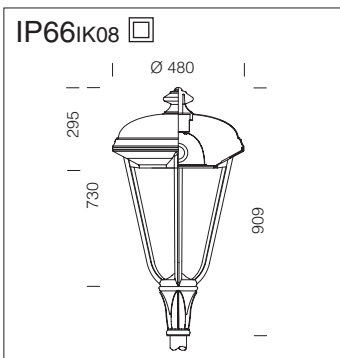
Floodlight: in 99.85 turned aluminium, anodically oxidized and polished.

Diffuser: Tempered glass, 5 mm thick, withstands thermal shock and impacts.



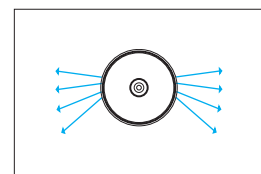
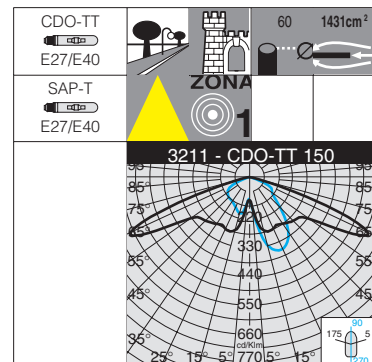
3210 Lucerna R 1				
		CNRL		Lamps (Ta=25°C)
wattage	colour	weight	code	Kelvin - ølm
CDM-T 70	anthracite	11.25	326950-00	3000 K - 6600 lm
CDM-T 150	anthracite	12.20	326951-00	3000 K - 14000 lm

CDM-T lamp = white light



Floodlight: in 99.85 aluminium, anodically oxidized and polished.

Diffuser: Tempered glass, 5 mm thick, withstands thermal shock and impacts.



3211 Lucerna R 2				
		CNRL		Lamps (Ta=25°C)
wattage	colour	weight	code	Kelvin - ølm
CDO-TT 70	anthracite	11.35	326960-00	2800 K - 6300 lm
SAP-T 70	anthracite	11.35	326963-00	2000 K - 5800 lm
CDO-TT 100	anthracite	11.50	326961-00	2800 K - 8800 lm
SAP-T 100	anthracite	11.50	326964-00	2000 K - 10700 lm
CDO-TT 150	anthracite	12.30	326962-00	2800 K - 13500 lm
SAP-T 150	anthracite	12.30	326965-00	2000 K - 15000 lm

CDM-T lamp = white light

