

Housing/frame: In die-cast aluminium.

Reflector: In high-grade 99.85 aluminium.

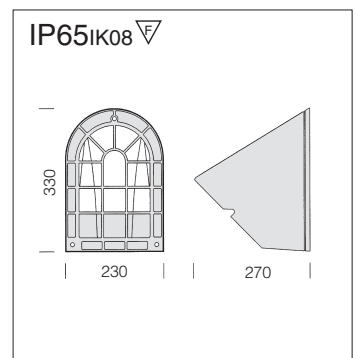
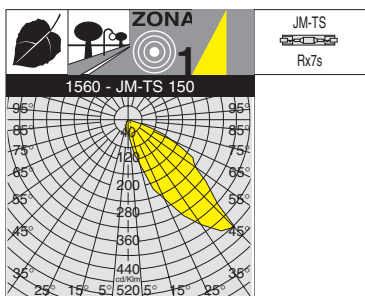
Diffuser: tempered glass, resistant to impact and thermal shock.

Coating: In several stages. First stage: epoxy cationic electrocoating, resistant to corrosive and saline environments. Second stage: UV-stabilising primer; final stage rough finish with graphite acrylic coating.

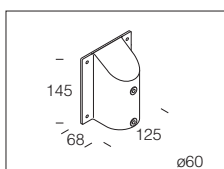
Electric gear: 230V/50Hz supply with thermal protection.

Standard supply: When open, the front frame stays attached to the housing, for easy maintenance.

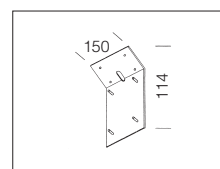
1560 Lord - with grid				
		CNRL		Lamps (Ta=25°C)
wattage	colour	weight	code	Kelvin - ølm - Ra
FLC 2x18L	white	4.80	421101-00	4000K - 1200lm - Ra 1b
FLC 2x18L	graphite	4.80	421103-00	
SAP-T 70	white	5.50	421121-00	2000K - 6000lm - Ra 4
SAP-T 70	graphite	5.50	421123-00	
JM-TS 70	white	5.60	421151-00	4000K - 5700lm - Ra 2b
JM-TS 70	graphite	5.60	421153-00	



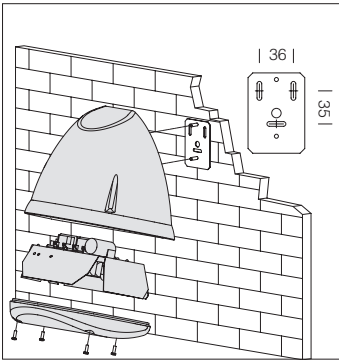
1560 Lord asymmetric - with grid				
		CNRL		Lamps (Ta=25°C)
wattage	colour	weight	code	Kelvin - ølm - Ra
JM-TS 150	white	6.60	421161-00	4200K - 12000lm - Ra 2b
JM-TS 150	graphite	6.60	421163-00	



ACC. 89 pole attachment Ø 60
 graphite 991214-00
 Die-cast aluminium painted by cationic electrocoating. Adapter for attachment on Ø 60 pole.



ACC. 85 plate angled at 45°
 graphite 991210-00
 Made of steel. To install art. Wall mounted Lord with the front glass parallel to the ground.

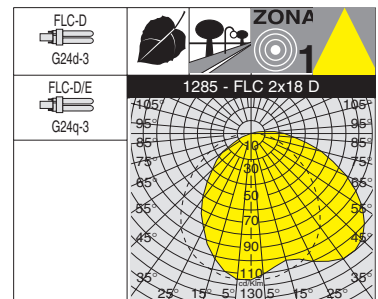
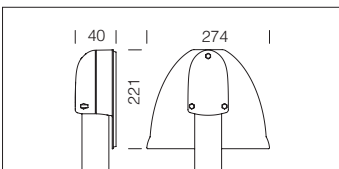
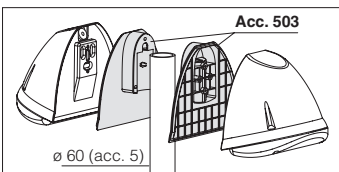
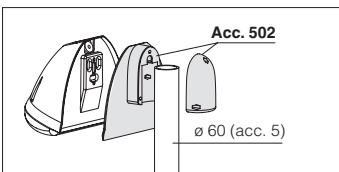
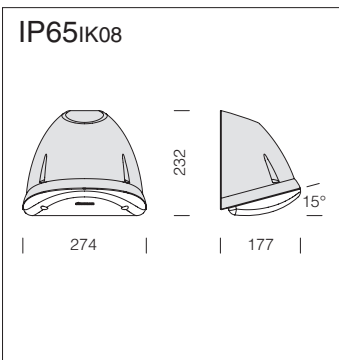


Housing: made of thermoplastic substance, UV-stabilised

Reflector: anodically oxidised aluminium 99.85.

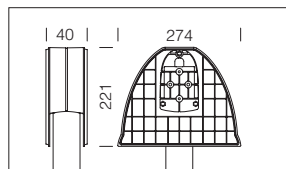
Diffuser: Vandal resistant, V2 self-extinguishing, UV-stabilised clear polycarbonate, anti-glare frosted inside; smooth, dust-proof outside.

Electric gear: 230V/50Hz power supply



1285 Green						
		CNRL		CELL		Lamps (Ta=25°C)
wattage	colour	weight	code	weight	code	Kelvin - ølm - Ra
FLC 2x18 D	gray	1.50	428600-00			4000K - 1200lm - Ra 1b
FLC 2x18 D/E	gray			1.50	428600-08	4000K - 1200lm - Ra 1b

acc. 502 single Ø60 pole connection
 gray 991260-00
 Adapter for 1 Green attachment on Ø 60 pole.



acc. 503 double Ø60 pole connection
 gray 991261-00
 Adapter for 2 Green attachment on Ø 60 pole.