



Housing/frame: Die-cast aluminium with cooling fins.

Disk: White diffusing aluminium with internal glass for improved light control.

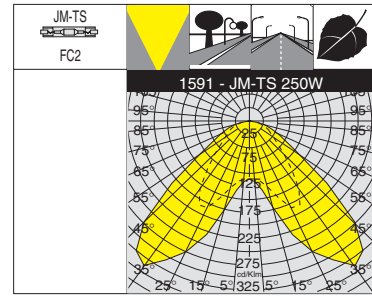
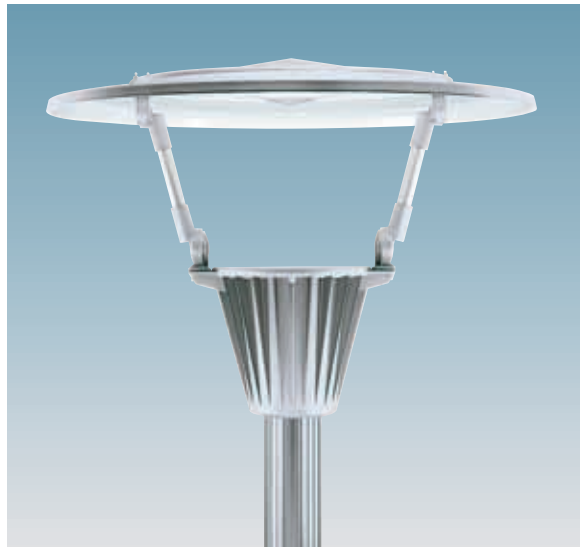
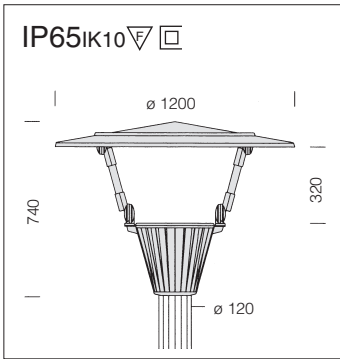
Reflector: Wide beam, made of high-grade polished anodised aluminium.

Glass: Tempered glass protection surface, 5 mm thick, resistant to impact and thermal shock (UNI12150-1 : 2001 tests: 2001).

Coating: In two stages. First stage: grey epoxy cationic electrocoating, resistant to corrosive and saline environments. Second finishing coat with environment-friendly sanded silver UV stabilised acrylic resin.

Electric gear: 230V/50Hz power supply with heat protection. Flexible wire terminated with admiralty brass clamps, silicone insulation with fibreglass braid; cross section: 1 sqmm. 2P terminal block (maximum allowed lead cross section 2.5 sqmm.)

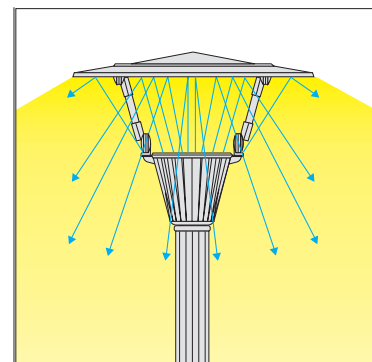
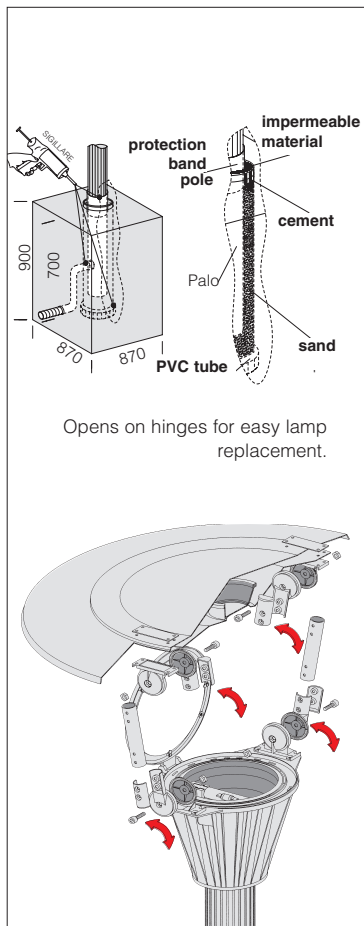




The article consists of:
 1 art. 1591 Halley JM-TS250.
 1 acc. pole (special) scored Ø 120
 - h. 4700 (4000 out of the ground).
 1 acc. disk with reflector (max tilt
 angle: +/- 20%).
 All supplied using a single Disano
 code.

1591 Halley - indirect light				
		CNRL		Lamps (Ta=25°C)
wattage	colour	weight	code	Kelvin - ølm - Ra
JM-TS 250	s. silver	20.00	421819-00	4200K - 20000 lm - Ra 1b

Ground anchoring:
 at installation stage, provide for post
 embedding (4000 above ground) in a
 87 x 87 x 90 cm (b x l x h) concrete
 base.



Disk with reflector

Max. tilt angle: +/- 20%

