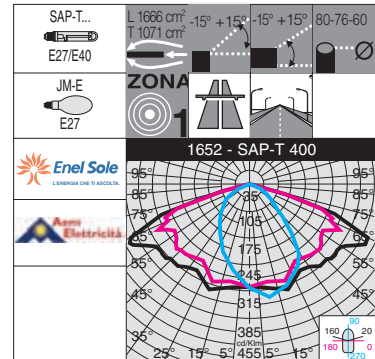
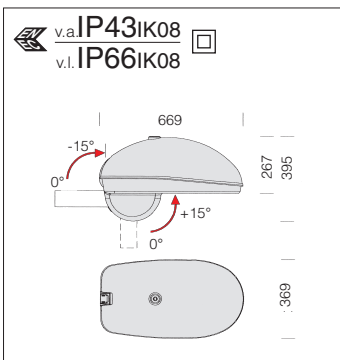


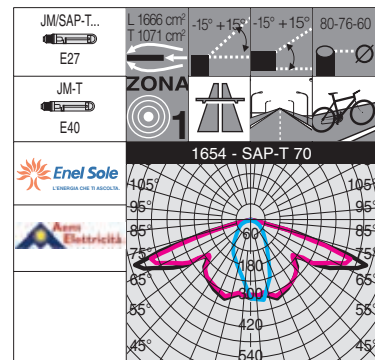
**Reflector:** LIGHT POLLUTION-CONTROL LOUVRE.  
In anodised, polished, pressed 99.85 aluminium.



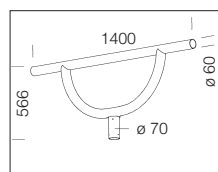
1652 Giovi								
		CNR		CNRL		CNR - bipower version		Lamps (Ta=25°C)
wattage	colour	weight	code	weight	code	weight	code	Kelvin - ølm - Ra
SAP-T 70	silv.+grap.	10.20	314063-00			10.20	314063-30	
SAP-T 100	silv.+grap.	10.50	314064-00			10.50	314064-30	
SAP-T 150	silv.+grap.	11.00	314065-00			11.00	314065-30	
SAP-T 250	silv.+grap.	12.30	314066-00			12.30	314066-30	
SAP-T 400	silv.+grap.	13.90	314067-00			13.90	314067-30	
JM-E 100	silv.+grap.			10.50	314068-00			4000K - 9000lm
JM-E 150	silv.+grap.			10.50	314069-00			4000K - 14000lm



**Reflector:** LIGHT POLLUTION-CONTROL LOUVRE.  
In anodised, polished, pressed 99.90 aluminium.



1654 Giovi - bicycle pathways								
		CNRL		Lamps (Ta=25°C)				
wattage	colour	weight	code	Kelvin - ølm - Ra				
SAP-T 70	silv.+grap.	10.20	314090-00	2000K - 6000lm - Ra 4				
JM-T 70	silv.+grap.	10.50	314091-00	4000K - 5300lm - Ra1b				
JM-T 150	silv.+grap.	11.00	314092-00	4000K - 14000lm - Ra 1b				



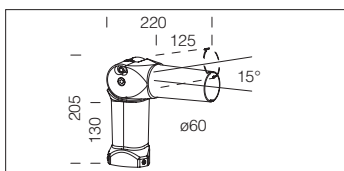
acc. 140 dual connection	
7.30	991350-00
For use with acc. 130 to be mast-arm mounting on acc.1499.	

Coloured housing available on request.

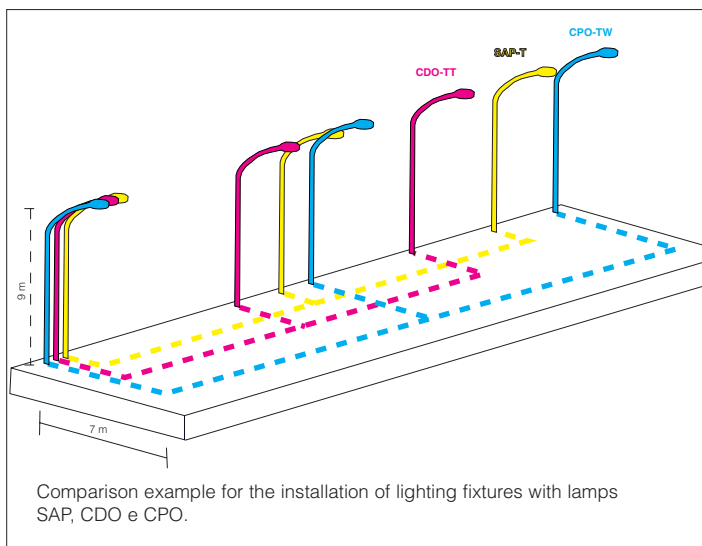
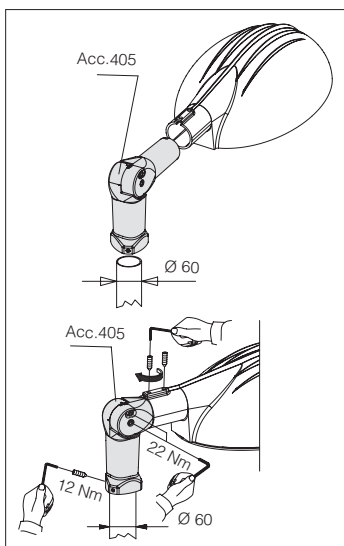
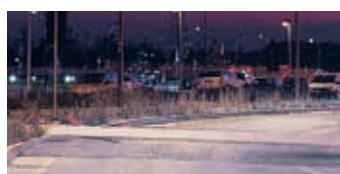
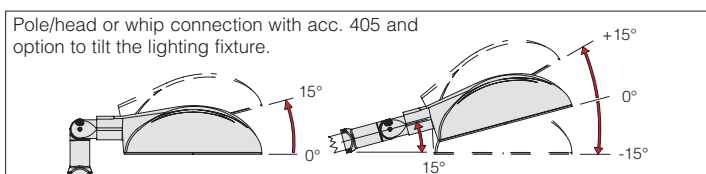




**Housing/Frame:** In die-cast aluminium.  
**Reflector:** LIGHT POLLUTION PREVENTING OPTICAL SYSTEM reflector. In 99.85 pressed aluminium, anodically oxidized and polished, with flux recovery devices.  
**Coating:** In different stages: epoxy cationic electrocoating, followed by a sandblasted silver colour acrylic coating.  
**Electric gear:** Power supply 230V-240V/50Hz-60Hz. 2P terminal block with maximum allowed lead cross section 2.5 sq mm.  
**Standard supply:** Electric gear on a removable tray with quick connectors to connect to the power supply and the lamp holder. Supplied with anti-condensation filter.  
**Equipment:** During maintenance the cover stays hooked on through a side spring. Gasket made of eco-friendly material.



**acc. 405 adjust. mount. unit**  
 m. silver | 991385-00  
 To be used when installing Monza on pole Ø60 with acc.130. Adjustable mounting unit.



**“COSMOPOLIS” LAMPS. A RANGE OF STATE-OF-THE-ART EXTERIOR LAMPS. “HIGH EFFICIENCY WHITE LIGHT”.**

For years, HP sodium lamps were the road lighting systems normally used, given their ability to provide high light levels based on constant energy consumption, ensuring reliability and durability as a result. However, the yellow/orange light generated by these lamps tended to blur the difference between colours, giving an unnatural colour to our roads, a colour that we became used to out of necessity, not choice.

White Light used in urban and/or road lighting contexts offers numerous advantages:

**Improved aesthetic quality**

**Safety**

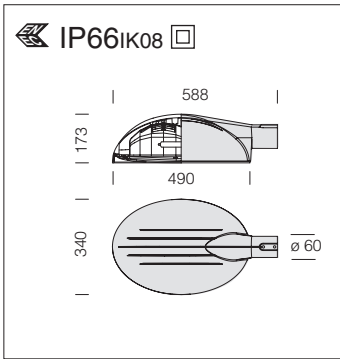
**Accident prevention**

**Up to 33% energy efficiency**

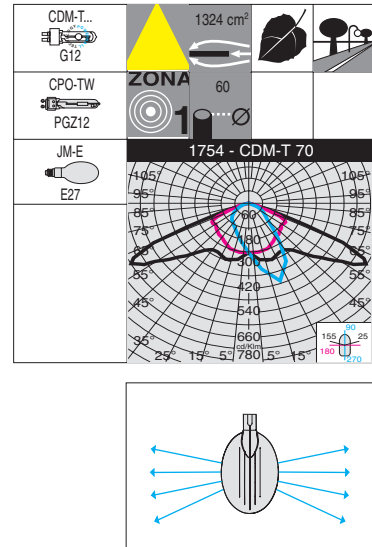
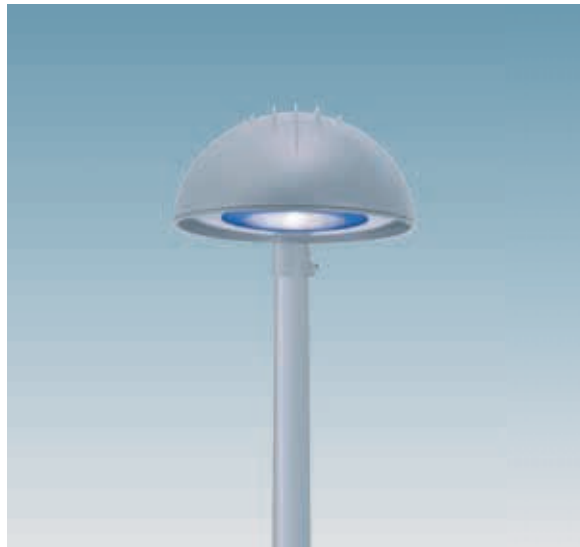
**Increased distance between the poles using a lower lamp power**

**Electronic ballast, working life: 60,000 h**

Additional information:  
[www.disano.it](http://www.disano.it)

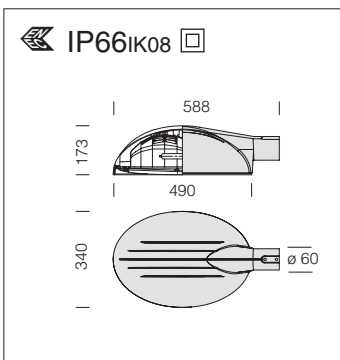


**Diffuser:** Pressed, tempered glass with coloured edges, 5 mm thick, thermal shock and impact resistant (UNI EN 12150-1:2001 tests).

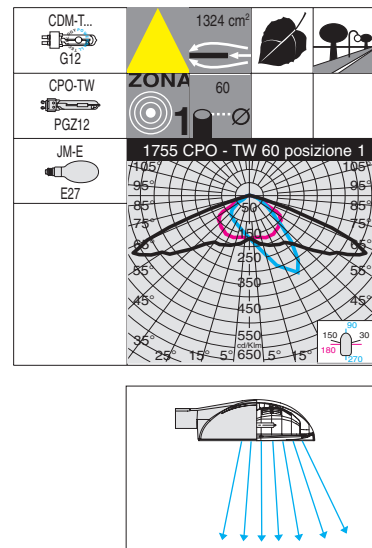
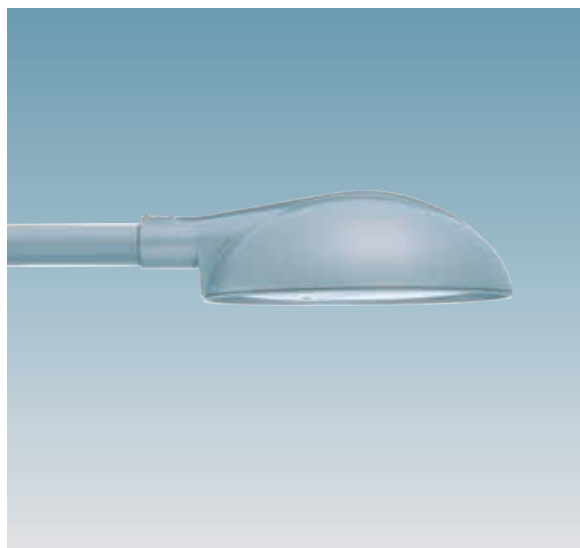


1754 Monza 1 - with blue pressed glass						
		CELL		CNRL		Lamps (Ta=25°C)
wattage	colour	weight	code	weight	code	Kelvin - ølm - lm/W - Ra
CDM-T 70	s. silver	6.00	423041-00	6.00	423047-00	4200K - 6600lm - Ra 1a
CDM-T 150	s. silver	6.00	423046-00	6.00	423048-00	4200K - 12700lm - Ra 1a
CPO-TW 60	s. silver	6.00	423042-00			2800K - 6850lm - Ra 2a
CPO-TW 90	s. silver	6.00	423044-00			2800K - 10450lm - Ra 2a
JM-E 100	s. silver	6.00	423045-00			3200K - 9000lm - Ra 2a

Cosmopolis lamps and the electronic ballast save up to 18% energy in contrast with a sodium lamp.



**Diffuser:** flat, tempered glass with coloured edges, 5 mm thick, thermal shock and impact resistant (UNI EN 12150-1:2001 tests).



1755 Monza 2 - with flat glass						
		CELL		CNRL		Lamps (Ta=25°C)
wattage	colour	weight	code	weight	code	Kelvin - ølm - lm/W - Ra
CDM-T 70	s. silver	6.00	423051-00	6.00	423057-00	4200K - 6600lm - Ra 1a
CDM-T 150	s. silver	6.00	423056-00	6.00	423058-00	4200K - 12700lm - Ra 1a
CPO-TW 60	s. silver	6.00	423052-00			2800K - 6850lm - Ra 2a
CPO-TW 90	s. silver	6.00	423054-00			2800K - 10450lm - Ra 2a
JM-E 100	s. silver	6.00	423055-00			3200K - 9000lm - Ra 2a

Cosmopolis lamps and the electronic ballast save up to 18% energy in contrast with a sodium lamp.