

Housing: in die-cast aluminium.
Cover: hinge-opening, vandal resistant and self-extinguishing polycarbonate, UV-stabilised.
Reflector: in anodised, polished, pressed 99.85 aluminium, with flux recovery.

Diffuser: in vandal resistant and V2 self-extinguishing polycarbonate, UV-stabilised. With steel latches.

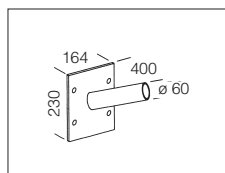
Coating: with epoxy-polyester fluid, grey, RAL 7035, resistant to corrosion.

Electric gear: 230V/50 Hz power supply. 2P+T nylon terminal block with maximum allowed lead cross-section of 4 sqmm.

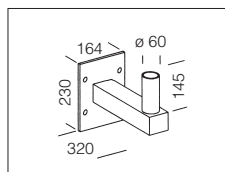
Equipment: silicone rubber gasket. Equipped with an anti-condensation filter. Lamp focus can be axial adjusted. Mast-top (\varnothing 60/76) or mast-arm (\varnothing 42/60) mounting. During maintenance the housing and diffuser remain attached for easy maintenance.

1141 Sempione					
		CNR		CNR double insulation	
wattage	colour	weight	code	weight	code
MBF 125	s. silver	6.00	313141-00	6.10	313151-00
MBF 250	s. silver	6.90	313142-00	6.90	313152-00
SAP-T 100	s. silver	7.20	313143-00	7.20	313153-00
SAP-T 150	s. silver	6.70	313144-00	6.70	313154-00
SAP-T 250	s. silver	8.10	313145-00	8.10	313155-00

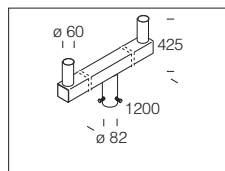
Double insulation, without knife witch.



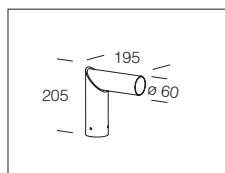
acc. 48 wall bracket	
1.30	997706-00
In grey steel. Used for wall mounting. Connection \varnothing 60. Angle 15°.	



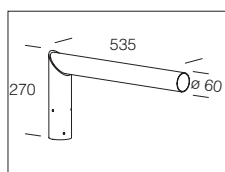
acc. 72 wall bracket	
4.00	997910-00
Cationic-electrocoated tropicalised black steel, with mounting plate. For wall mounting.	



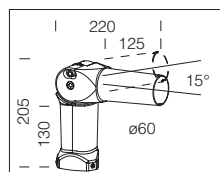
acc. 74 double mounting on mast	
7.00	997911-00
Cationic-electrocoated tropicalised black steel. For on-mast installation of two fixtures. Connection \varnothing 60/76.	



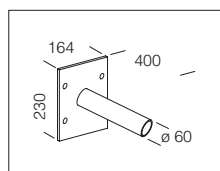
acc. 205 mast-top mounting	
galvanized	426941-00
To be used when installing Ghisallo on pole \varnothing 60. 90° fixed.	



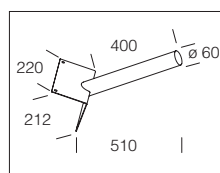
acc. 205 mast-top attachment	
s. silver	426948-00
To be used when installing Sforza on pole \varnothing 60. 90° fixed.	



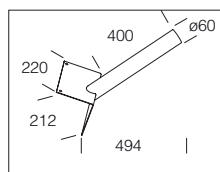
405 adjust. mount. unit	
m. silver	991385-00
To be used when installing Sempione on pole \varnothing 60 with acc.130. Adjustable mounting unit. For Ghisallo.	



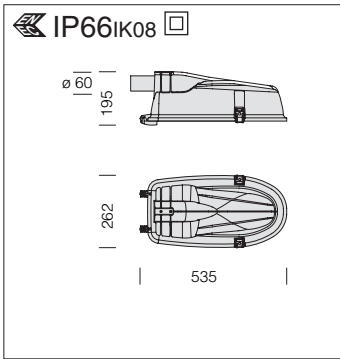
acc. 248 wall bracket	
1.30	997708-00
In grey steel. For wall mounting. Connection \varnothing 60. For Ghisallo.	



acc. 249 corner bracket	
1.90	997803-00
In grey steel. For wall corner mounting. Connection \varnothing 60. For Ghisallo.	



acc. 49 corner bracket	
1.90	997802-00
In grey steel. For wall corner mounting. Connection \varnothing 60. Angle 15°.	



Housing: In die-cast aluminium with hinge opening and stainless steel latches.

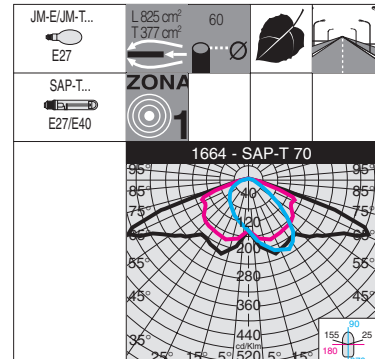
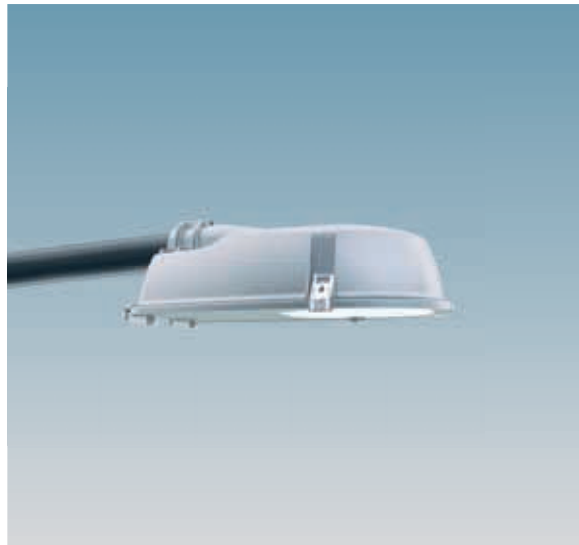
Diffuser: Tempered glass, 5 mm thick, thermal shock and impact resistant (UNI12150-1: 2001 tests: 2001).

Reflector: LIGHT POLLUTION-CONTROL REFLECTOR. In anodised, polished, pressed 99.85 aluminium, with flux recovery.

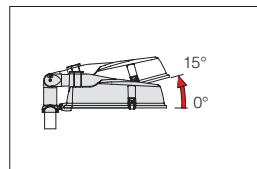
Coating: silver polyester housing (resistant to corrosive and saline environments).

Electric gear: 230V/50Hz power supply. 2P terminal block with maximum allowed lead cross section of 2.5 sqmm.

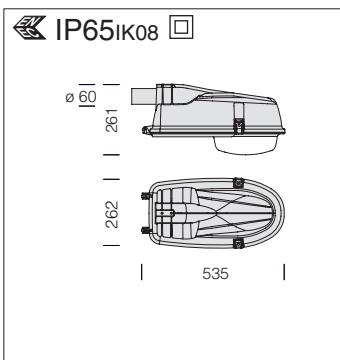
Standard supply: Electric gear on a removable tray with quick connectors for line and lampholder connection. Equipped with anti-condensation filter.



Mast-top mounting with possibility of inclination.

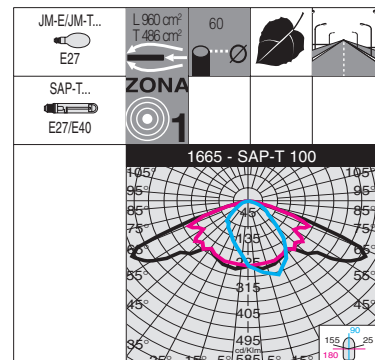


1664 Ghisallo 1 - with glass						
		CNRL		CNR		Lamps (Ta=25°C)
wattage	colour	weight	code	weight	code	Kelvin - ølm - Ra
JM-T 70	s. silver	5.50	314030-00			4000K - 5300lm
JM-E 100	s. silver	5.70	314032-00			4000K - 9000lm
JM-E 150	s. silver	6.80	314033-00			4000K - 14000lm
SAP-T 70	s. silver			5.50	314034-00	
SAP-T 100	s. silver			5.70	314035-00	
SAP-T 150	s. silver			6.80	314036-00	
SAP-T 250	s. silver			7.10	314038-00	

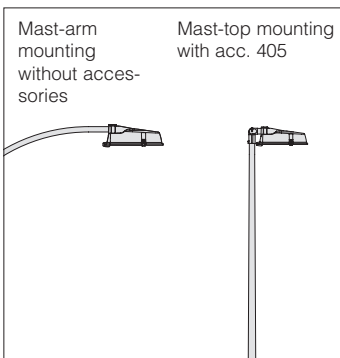
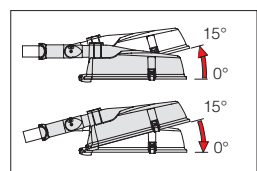


Diffuser: in clear polycarbonate vandal-resistant and V2 self-extinguishing, UV-stabilised.

Reflector: LIGHT POLLUTION-CONTROL REFLECTOR. In anodised, polished, pressed 99.85 aluminium,



Mast-arm acc. 405 mounting with possibility of inclination.



1665 Ghisallo 2 - with diffuser						
		CNRL		CNR		Lamps (Ta=25°C)
wattage	colour	weight	code	weight	code	Kelvin - ølm - Ra
JM-T 70	s. silver	4.60	314040-00			4000K - 5300lm
JM-E 100	s. silver	4.90	314042-00			4000K - 9000lm
JM-E 150	s. silver	4.90	314043-00			4000K - 14000lm
SAP-T 70	s. silver			4.60	314044-00	
SAP-T 100	s. silver			4.90	314045-00	
SAP-T 150	s. silver			4.90	314046-00	

