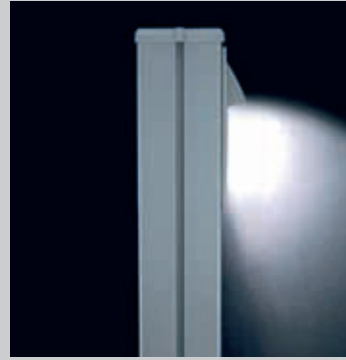
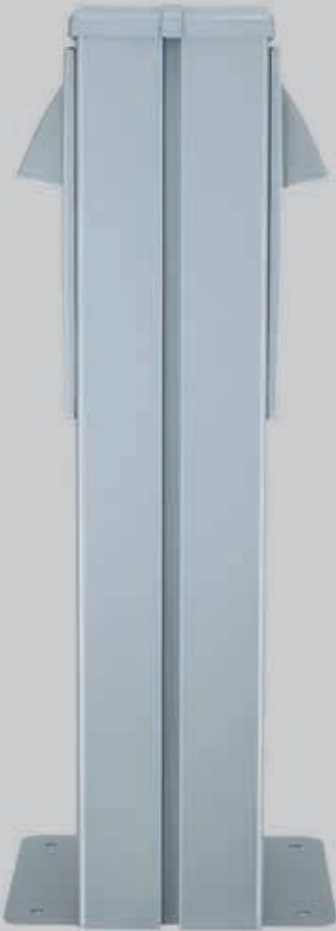


Version with CDM lamp

Version with FLC lamp



Simulation



Housing: in fibreglass nylon, UV stabilized.

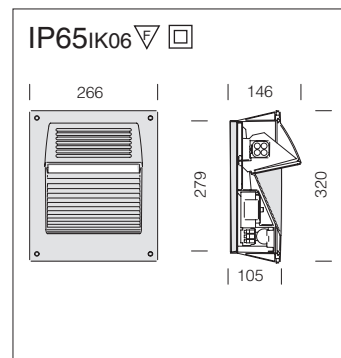
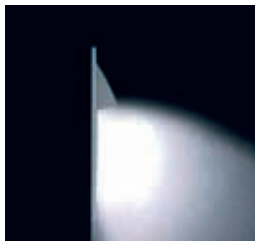
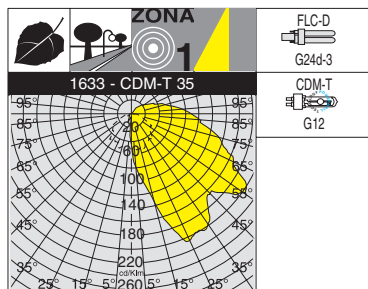
Front frame: in die-cast aluminium.

Diffuser: in 4 mm thick tempered glass, resistant to impact and thermal shock.

Coating: in several stages. Stage one: epoxy cationic electrocoating, resistant to corrosion and saline environments. Stage two: UV stabilising priming and silver acrylic coating.

Electric gear: 230V/50Hz power supply.

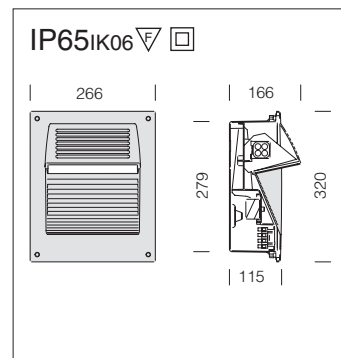
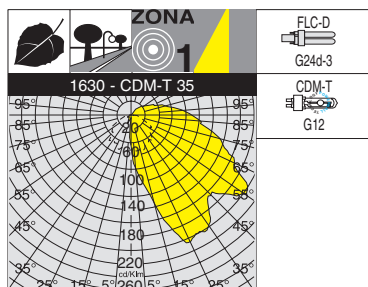
Equipment: electric gear on removable gear tray for easy maintenance.



Housing: in fibreglass nylon, UV stabilized.

Front frame: in die-cast aluminium.

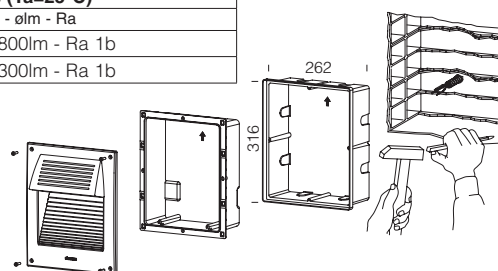
1633 Fonte - wall version						
		CNRL		CELL		Lamps (Ta=25°C)
wattage	colour	weight	code	weight	code	Kelvin - ølm - Ra
FLC 1x26D	s. silver	3.50	431732-00			4000K - 1800lm - Ra 1b
CDM-T 1x35	s. silver			3.20	431731-00	3000K - 3300lm - Ra 1b



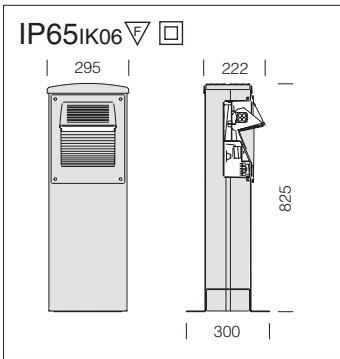
Housing: in fibreglass nylon, UV stabilized.

Front frame: in die-cast aluminium.

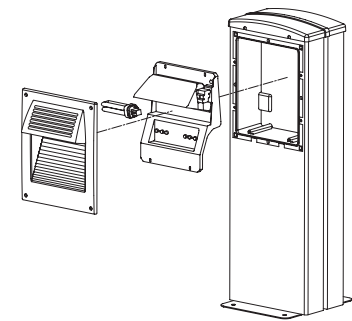
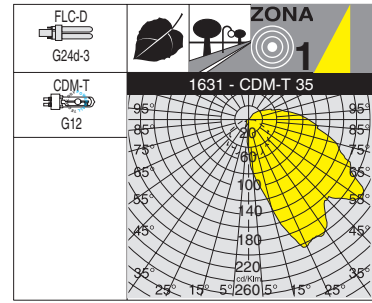
1630 Fonte - recessed wall version						
		CNRL		Lamps (Ta=25°C)		
wattage	colour	weight	code	Kelvin - ølm - Ra		
FLC 1x26D	s. silver	3.20	431700-00	4000K - 1800lm - Ra 1b		
CDM-T 1x35	s. silver	3.70	431701-00	3000K - 3300lm - Ra 1b		



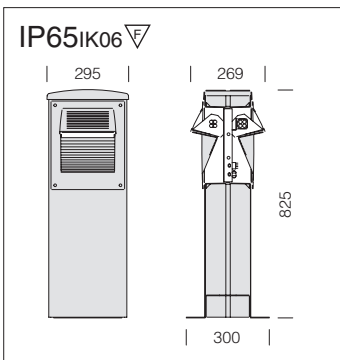
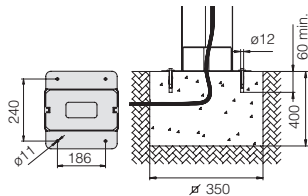
Recessed sequence installation



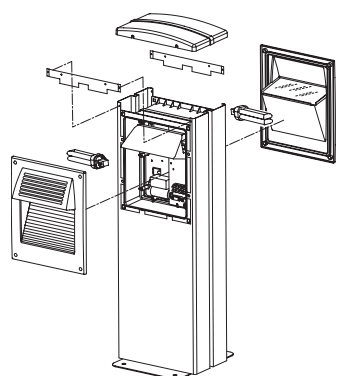
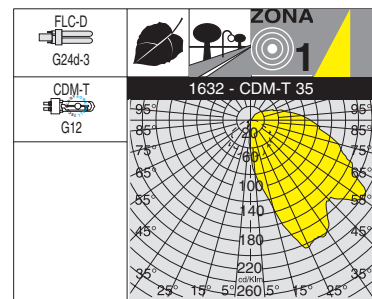
Column: in galvanized steel with fibreglass nylon cover and sandblasted silver coating.



1631 Fonte - single-lamp column				
		CNRL		Lamps (Ta=25°C)
wattage	colour	weight	code	Kelvin - ølm - Ra
FLC 1x26D	s. silver	9.00	431710-00	4000K - 1800lm - Ra 1b
CDM-T 1x35	s. silver	9.50	431711-00	3000K - 3300lm - Ra 1b



Column: in galvanized steel with fibreglass nylon cover and sandblasted silver coating.



1632 Fonte - two-lamp column				
		CNRL		Lamps (Ta=25°C)
wattage	colour	weight	code	Kelvin - ølm - Ra
FLC 2x26D	s. silver	12.50	431720-00	4000K - 1800lm - Ra 1b
CDM-T 2x35	s. silver	13.40	431721-00	3000K - 3300lm - Ra 1b

Single ignition.