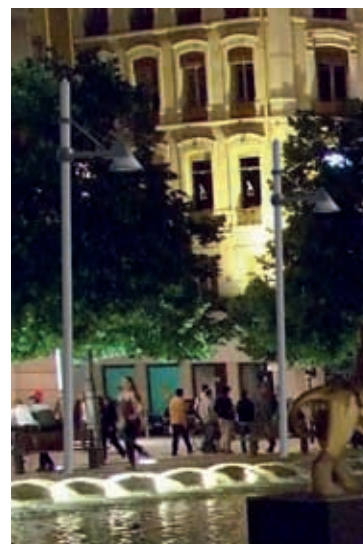


Inspection window with easily removable terminal block for quick connection

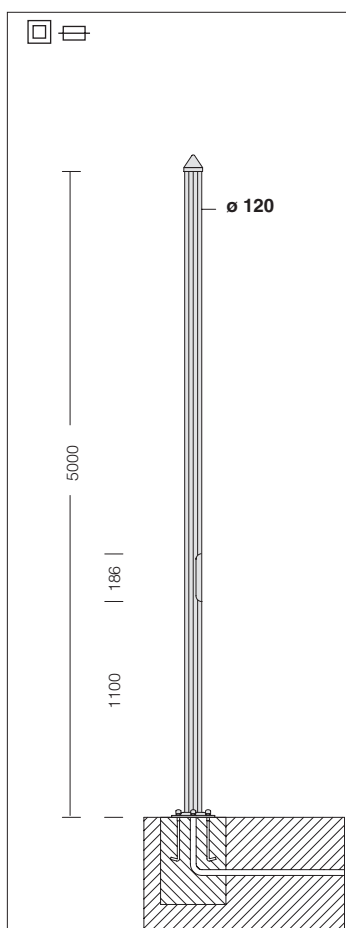
The size of the plinth depends on the type of pole, the composition used, the type of terrain on which the plinth stands, and the material of which it is made.



acc. 1309 fluted pole "Lione" Ø 120

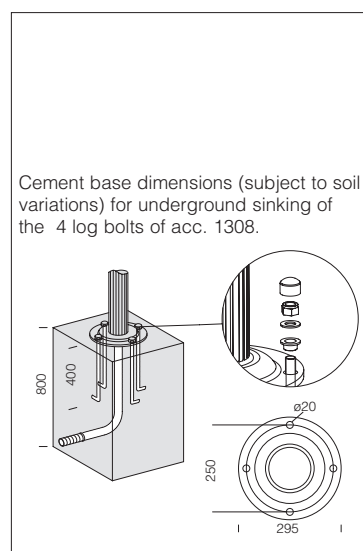
colour	code								
oxy black	426552-00	5800	5000	800	1100	186	45	Ø 120	Ø 120
oxy natural	426576-00								
graphite	426514-00								

Double fuse and standard knife switch available upon request.



Inspection window with easily removable terminal block for quick connection

For correct installation of pole and base, the ceiling cap should be fitted as shown in the assembly drawing featured opposite.



acc. 1308 fluted pole "Lione" with base

colour	code								
oxy black	426557-00	5000	1100	186	45	Ø 120	Ø 120	Ø 295 hole	Ø 20
oxy natural	426579-00								
graphite	426512-00								

Double fuse and standard knife switch available upon request.
Log bolts are to be bought separately acc. 299.

