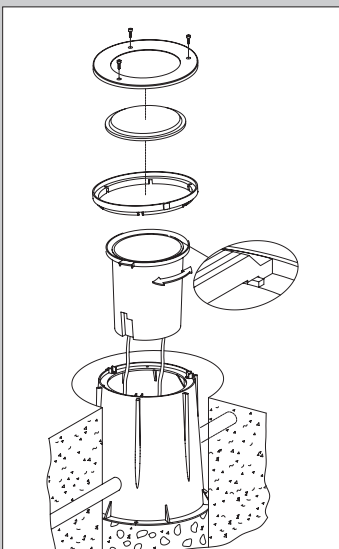


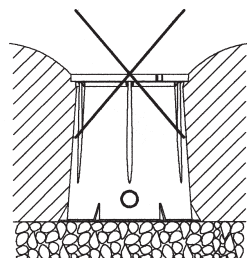
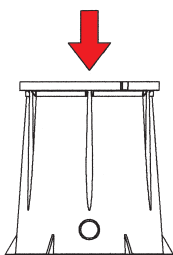


Simulation with FLC

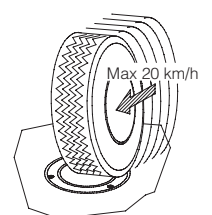
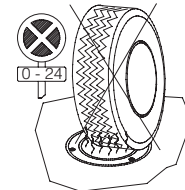
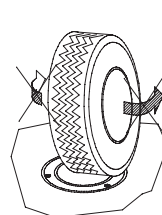
Simulation with JM-TS



Max 4000 kg (1600-1-4-5, 1617-1620)



Refer to each single product chart.







**Housing/frame:** in die-cast aluminium.

**Glass:** Clear, tempered in JM-TS, SAP-TS versions; sand blasted in all the other versions, all thermal-shock, impact and load resistant. Lamp CDM version with double glass.

**Painting:** in various phases. The first phase involves immersion in grey epoxy cataphoresis, withstands corrosion and salt mists. The second phase applies an undercoat to stabilise against UV rays and the last phase provides a pressed metal finish using silver acrylic paint.

**Electric gear:** 230V/50Hz power supply with thermal protection for JM-TS and SAP-TS lamps. Hard wire, 0.50 sqmm cross section and PVC-HT sheath, resistant at 90°C in compliance with CEI 20-20 standards for FLC version and Flexible Silicon insulation with glass braid 1mm<sup>2</sup> for discharge version. 2P+T terminal block with maximum allowed lead cross section of 2.5 sqmm.

**Standard supply:** supplied with power supply cable.

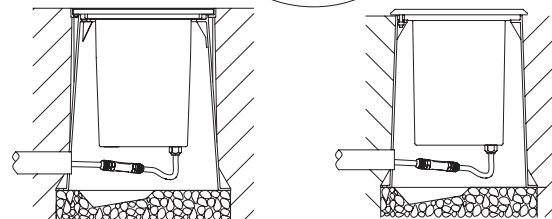
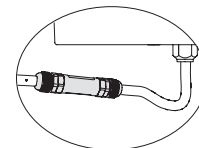
Simulation with SAP-TS



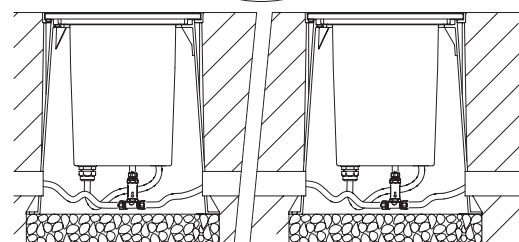
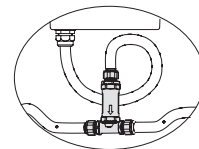
The fixture is composed of a luminaire and a cylindrical nylon outer case for recessed floor installation. The outer casing is designed to accept the power supply pipe (hole Ø 40) in 2 places. The masonry must be able to support a load of 4000 kg without strain. As the bottom is open to allow for draining, a gravel bed should be prepared at the time of installation. The electric gear is inside the luminaire.

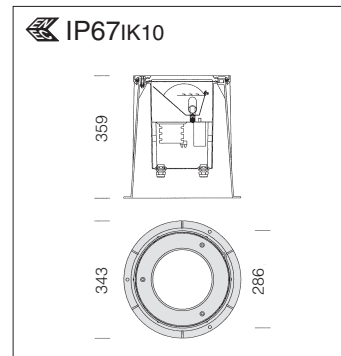
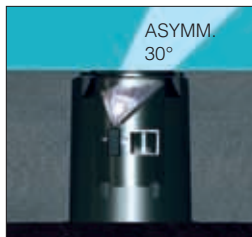
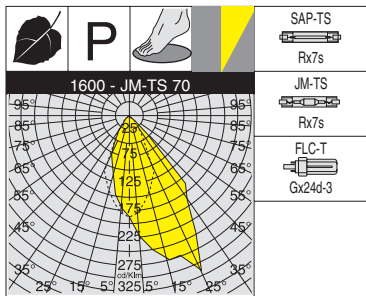
Can be used with connector acc. 369.  
Cable gland with entry cable, minimum  
Ø 9 max Ø12 mm, with locking rings.

ACC. 369



ACC. 399

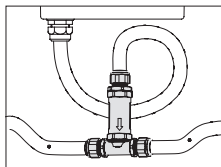




**Reflector:** in hammered aluminium, anodically oxidized and polished, with anti-glare louvre.

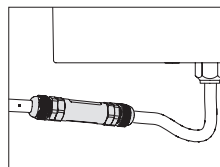
**Lamps:** supplied with FLC26T energy saving or 4000 K coloured discharge lamps.

1600 Floor - asymmetric level flush									
wattage	colour	CNRL		temperature and load				Lamps (Ta=25°C)	
		weight	code	T. max on glass		Kg max load	walked*	trafficable*	Kelvin - ølm - Ra
				ta 25°C	ta 15°C				
SAP-TS 70	graphite	6.00	530582-00	80°C	70°C	4000	OK	OK	2000K - 6800lm - Ra 4
JM-TS 70	graphite	6.00	530583-00	80°C	70°C	4000	OK	OK	4000K - 5700lm - Ra 1b
FLC 1x26T	graphite	5.00	530584-00	65°C	55°C	4000	OK	OK	4000K - 1800lm - Ra 1b



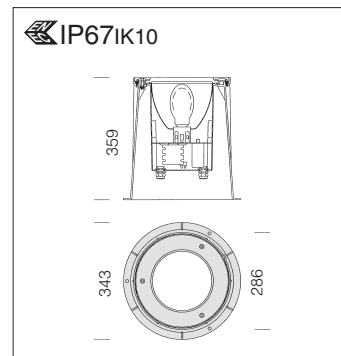
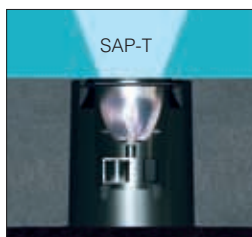
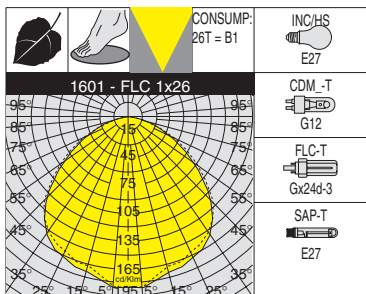
**acc. 399 - Conn. for continuous line**  
993837-00

Connector for solid line to be used with acc 369 for continuous lines. For Floor range.



**acc. 369 - Connector**  
998038-00

To be used for continuous lines and to achieve waterproof connection. For Floor range.



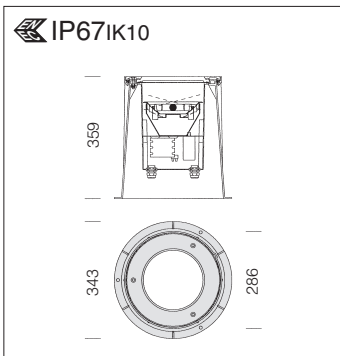
**Reflector:** in polished aluminium, anodically oxidized and polished.

**Lamps:** supplied with FLC26T energy saving or 4000 K coloured discharge lamps.

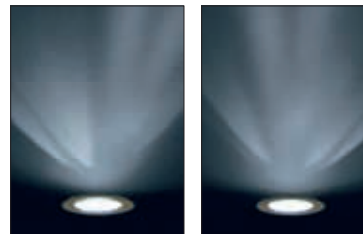
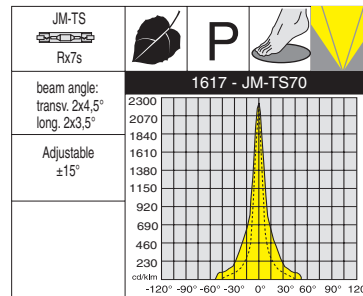
1601 Floor - with diffuser, level flush											
wattage	colour	S		CNRL		temperature and load					
		weight	code	weight	code	T. max on glass		Kg max load	walked*	trafficable*	
						ta 25°C	ta 15°C				
INC 40/ FLC 15EL	graphite	3.00	530591-00			60°C	50°C	4000	OK	OK	
FLC 1x26T	graphite			5.00	530592-00	65°C	55°C	4000	OK	OK	
SAP-T 50	graphite			5.50	530594-00	110°C	100°C	4000			
CDM-T 35	graphite			5.50	530595-00	60°C	50°C	4000	OK	OK	

\* Temperature referred for the lamp FLC 15L.  
FLC 1x26T: 4000K - 1800lm - Ra 1b, SAP-T 50: 2000K - 3400lm - Ra 4, CDM-T 35: 3000K - 3400lm - Ra 1b



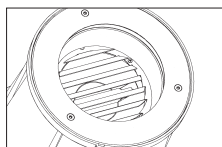


**Reflector:** in hammered aluminium, anodically oxidized and polished, with anti-glare baffle.

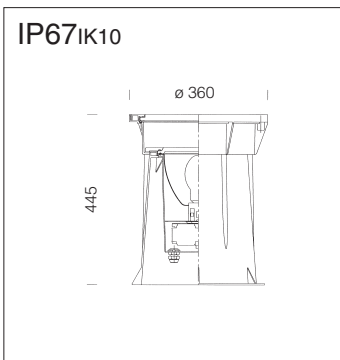


**1617 Floor - with adjustable reflector**

wattage	colour	CNRL		temperature and load				Lamps (Ta=25°C)	
		weight	code	T. max on glass		Kg max load	walked*	trafficable*	Kelvin - ølm - Ra
				ta 25°C	ta 15°C				
<b>JM-TS 70</b>	graphite	6.00	530506-00	80°C	70°C	4000	OK	OK	4000K - 5700lm - Ra 1b
<b>JM-TS 70</b>	graphite (blue lamp)	6.00	530506-96	80°C	70°C	4000	OK	OK	
<b>JM-TS 70</b>	graphite (green lamp)	6.00	530506-97	80°C	70°C	4000	OK	OK	
<b>JM-TS 70</b>	graphite (magenta lamp)	6.00	530506-98	80°C	70°C	4000	OK	OK	

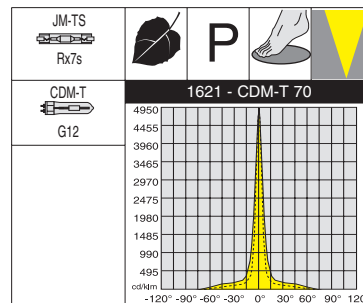


**acc.142 - louvre**  
991351-00  
In aluminium. It makes the light beam of art. 1617 asymmetric.



**Reflector:** in polished aluminium, anodically oxidized and polished.

**Diffuser:** version with lamp CDM double glass protection.



**1621 Floor - low temperature**

wattage	colour	CNRL		temperature and load				Lamps (Ta=25°C)	
		weight	code	T. max on glass		Kg max load	walked*	trafficable*	Kelvin - ølm - Ra
				ta 25°C	ta 15°C				
<b>SAP-TS 70*</b>	graphite	12.50	530530-00	60°C	50°C	2000	OK	OK	2000K - 6800lm - Ra 4
<b>JM-TS 70*</b>	graphite	12.50	530531-00	60°C	50°C	2000	OK	OK	4000K - 5700lm - Ra 1b
<b>CDM-T 70</b>	graphite	12.50	530536-00	70°C	60°C	2000	OK	OK	4200K - 6700lm - Ra 1b

\* lamps TS version (Rx7s attachment) with adjustable reflector.