

**Housing:** In extruded aluminium, cylindrical section.

**Cap:** in die-cast aluminium.

**Diffuser :** in polycarbonate, clear frosted vandal resistant and V2 self-extinguishing, UV-stabilised.

**Painting:** In several stages. First stage: epoxy cationic electrocoating, resistant to corrosive and saline environments. Second stage: UV-stabilising primer, and final stage rough finish with graphite acrylic coating(it has passed the UNI ISO 9227 1000 hr test).

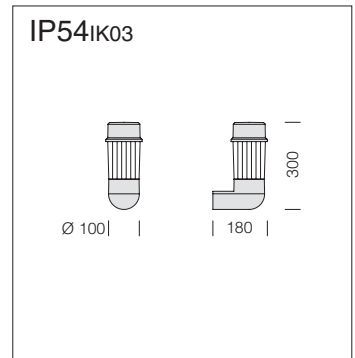
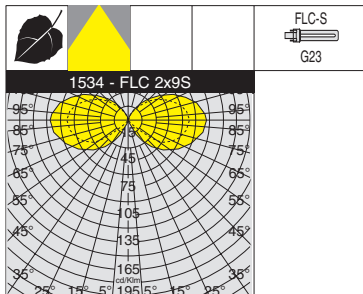
**Standard supply:** base with log bolts.

**1530 Faro 2 scored diffuser - high version**

		CNL		Lamps (Ta=25°C)
wattage	colour	weight	code	Kelvin - ølm - Ra
FLC 2x9S	graphite	2.95	510059-00	4000 K - 600 lm - Ra 1b

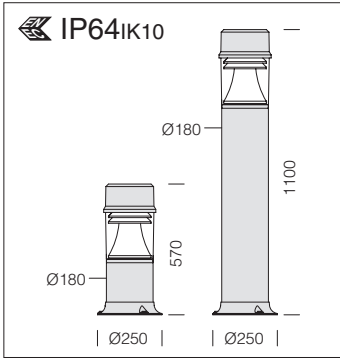
**1532 Faro 2 scored diffuser - short version**

		CNL		Lamps (Ta=25°C)
wattage	colour	weight	code	Kelvin - ølm - Ra
FLC 2x9S	graphite	2.24	510259-00	4000K - 600lm - Ra 1b

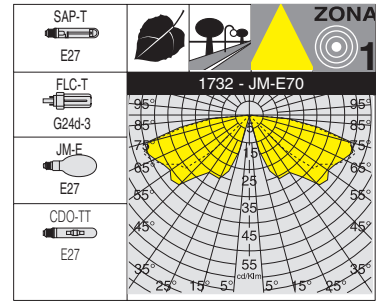


**1534 Faro 2 scored diffuser - wall version**

		CNL		Lamps (Ta=25°C)
wattage	colour	weight	code	Kelvin - ølm - Ra
FLC 2x9S	graphite	1.39	510459-00	4000K - 600lm - Ra 1b



**Housing:** in extruded aluminium, cylindrical section.  
**Louvre:** light pollution preventing system aluminium.  
**Cap:** die-cast aluminium.  
**Diffuser:** in polycarbonate, clear vandal resistant and V2 self-extinguishing, UV-stabilised.  
**Coating:** in several stages. First stage: epoxy cationic electrocoating, resistant to corrosive and saline environments. Second stage: UV-stabilising primer, and final stage rough finish with graphite acrylic coating (it has passed the UNI ISO 9227 1000 hr test).  
**Standard supply:** base with log bolts. Air recycle valve.

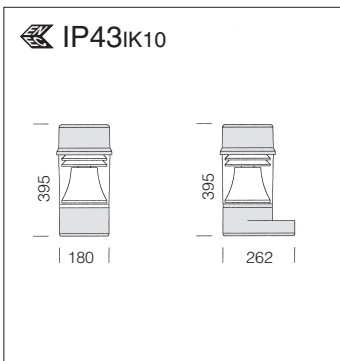


**1732 Faro 4 - high version**

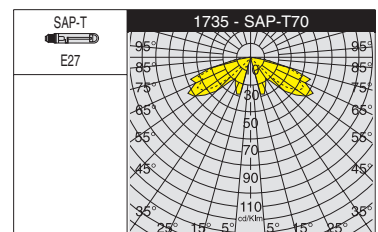
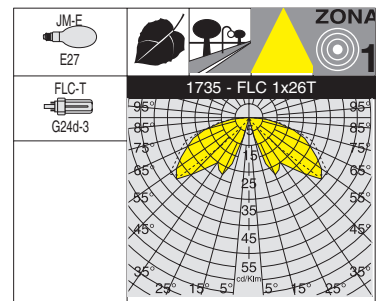
		CNRL		Lamps (Ta=25°C)
wattage	colour	weight	code	Kelvin - ølm - Ra
FLC 1x26T	graphite	6.30	511020-00	4000K - 1800lm - Ra 1b
SAP-T 70	graphite	7.10	511021-00	2000K - 6000lm - Ra 4
CDO-TT 50	graphite	7.10	511023-00	2800K - 4150lm - Ra 1b
JM-E 70	graphite	7.10	511022-00	3700K - 5300lm

**1733 Faro 4 - short version**

		CNRL		Lamps (Ta=25°C)
wattage	colour	weight	code	Kelvin - ølm - Ra
FLC 1x26T	graphite	4.30	511010-00	4000 K - 1800 lm - Ra 1b
SAP-T 70	graphite	4.80	511011-00	2000 K - 6000 lm - Ra 4
JM-E 70	graphite	4.80	511012-00	3700 K - 5300 lm



**Louvre:** light pollution preventing system aluminium.



**1735 Faro 4 - wall version**

		CNRL		Lamps (Ta=25°C)
wattage	colour	weight	code	Kelvin - ølm - Ra
FLC 1x26T	graphite	4.20	511110-00	4000K - 1800lm - Ra 1b
SAP-T 70	graphite	4.20	511111-00	2000K - 6000 m - Ra 4
JM-E 70	graphite	4.20	511112-00	3200K - 4700lm

