

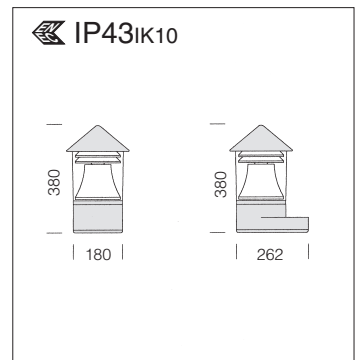
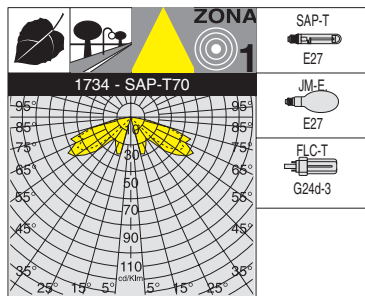
**Housing:** in extruded aluminium, cylindrical section.  
**Louvre:** light pollution preventing system aluminium.  
**Cap:** die-cast aluminium.  
**Diffuser:** in polycarbonate, clear vandal resistant and V2 self-extinguishing, UV-stabilised.  
**Coating:** in several stages. First stage: epoxy cationic electrocoating, resistant to corrosive and saline environments. Second stage: UV-stabilising primer, and final stage rough finish with graphite acrylic coating (it has passed the UNI ISO 9227 1000 hr test).  
**Standard supply:** base with log bolts. Air recycle valve.

**1730 Faro 3 - high version**

wattage	colour	CNRL		Lamps (Ta=25°C)
		weight	code	Kelvin - ølm - Ra
FLC 1x26T	graphite	6.30	510020-00	4000K - 1800lm - Ra 1b
SAP-T 70	graphite	7.10	510021-00	2000K - 6000lm - Ra 4
JM-E 70	graphite	7.10	510022-00	3700K - 5300lm

**1731 Faro 3 - short version**

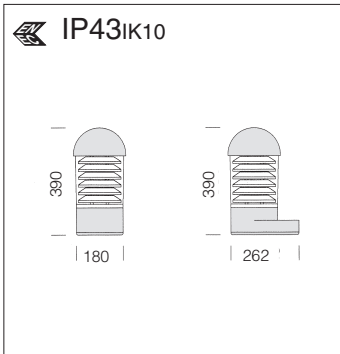
wattage	colour	CNRL		Lamps (Ta=25°C)
		weight	code	Kelvin - ølm - Ra
FLC 1x26T	graphite	4.30	510010-00	4000K - 1800lm - Ra 1
SAP-T 70	graphite	4.80	510011-00	2000K - 6000lm - Ra 4
JM-E 70	graphite	4.80	510012-00	3700K - 5300lm



**Louvre:** light pollution preventing system aluminium.

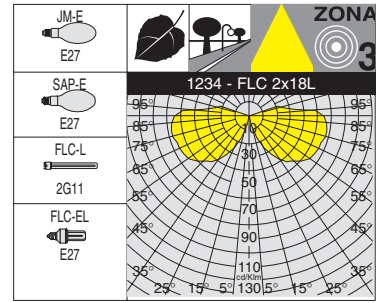
**1734 Faro 3 - wall version**

wattage	colour	CNRL		Lamps (Ta=25°C)
		weight	code	Kelvin - ølm - Ra
FLC 1x26T	graphite	4.20	510110-00	4000K - 1800lm - Ra 1b
SAP-T 70	graphite	4.20	510111-00	2000K - 6000lm - Ra 4
JM-E 70	graphite	4.20	510112-00	3200K - 4700lm

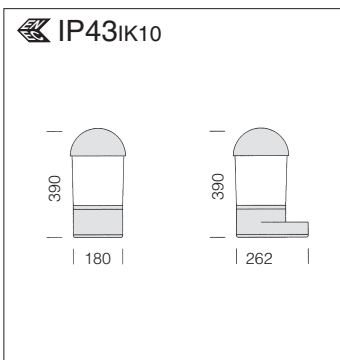


**Diffuser** : in polycarbonate, clear vandal resistant and V2 self-extinguishing, UV-stabilised.

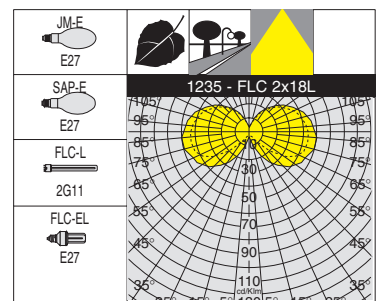
**Louvre**: in matt aluminium.



1234 Faro - wall version								
		S		CNR		CNRL		Lamps (Ta=25°C)
wattage	colour	weight	code	weight	code	weight	code	Kelvin - ølm - Ra
MAX 75	graphite	3.10	510403-00					
JM-E 70	graphite			4.20	510438-00			
SAP-E 70	graphite			4.20	510439-00			
FLC 2x18L	graphite					4.20	510401-00	4000K - 1200lm - Ra 1b



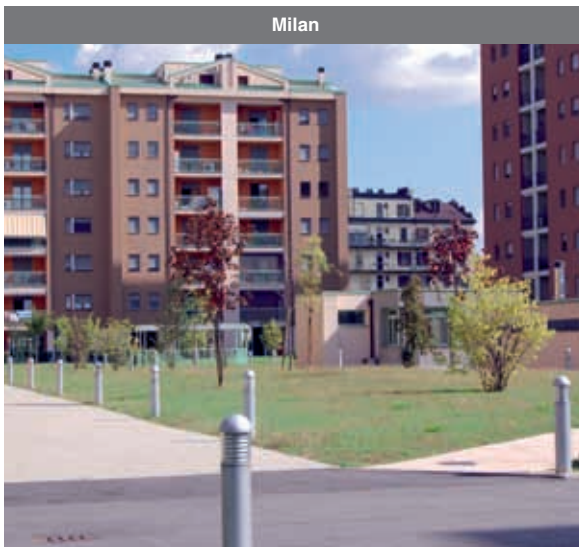
**Diffuser** : in polycarbonate, opal vandal resistant and V2 self-extinguishing, UV-stabilised.



1235 Faro - wall version								
		S		CNR		CNRL		Lamps (Ta=25°C)
wattage	colour	weight	code	weight	code	weight	code	Kelvin - ølm - Ra
MAX 75	graphite	2.70	510503-00					
JM-E 70	graphite			3.80	510538-00			
FLC 2x18L	graphite					3.60	510539-00	4000K - 1200lm



Massa Carrara - Italy



Milan

**Housing:** in extruded aluminium, cylindrical section.

**Cap:** made of die-cast aluminium.

**Painting:** in several stages. First stage: epoxy cationic electrocoating, resistant to corrosive and saline environments. Second stage: UV-stabilising primer, and final stage rough finish with graphite acrylic coating(it has passed the UNI ISO 9227 1000 hr test).

**Electric gear:** 230V/50 Hz power supply. 2P+T terminal block with maximum allowed lead cross-section of 4 sqmm.

**SAP-E 70:** supplied with lamps with built-in igniter.



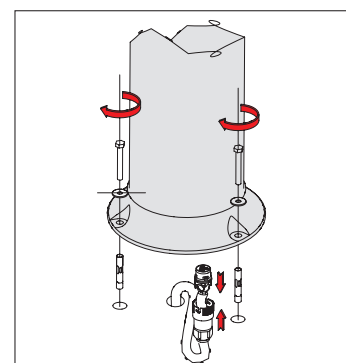
Mestre - Venice

**A NEW URBAN LIGHTING CONCEPT THAT USES WHITE LIGHT**

White light clearly offers numerous advantages in terms of colour rendering, quality, safety, illuminance and power savings. For further information, please go to: [www.disano.it](http://www.disano.it)

Flange to be sunk into the ground with electric wire running underneath.

Supplied with socket-pin connector for quick installation and air recycle valve.



1237 - JM-E 70

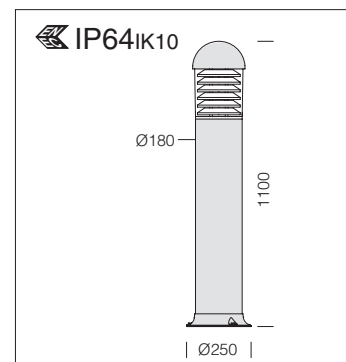
ZONA 1

JM-E E27

FLC-L 2G11

SAP-E E27

CDO-TT E40

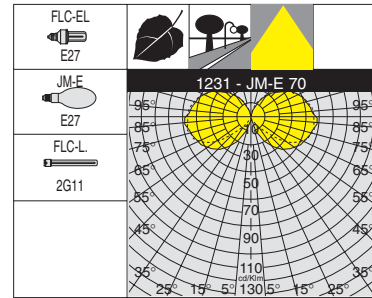
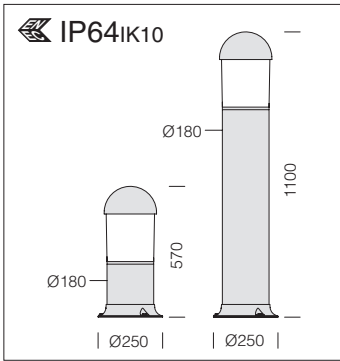


**Diffuser:** In polycarbonate, clear vandal resistant and V2 self-extinguishing, UV-stabilised.

**Louvre:** LIGHT POLLUTION PREVENTING SYSTEM with black colour louvre.

1237 Faro - high version						
		CNR		CNRL		Lamps (Ta=25°C)
wattage	colour	weight	code	weight	code	Kelvin - ølm - Ra
JM-E 70	s. silver	7.10	510054-00			
SAP-E 70	s. silver	7.10	510050-00			
FLC 2x18L	s. silver			6.30	510048-00	4000K - 1200lm - Ra 1b
CDO-TT 50	s. silver			7.10	510035-00	4150K - 2800lm - Ra 1b



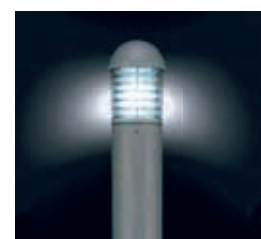
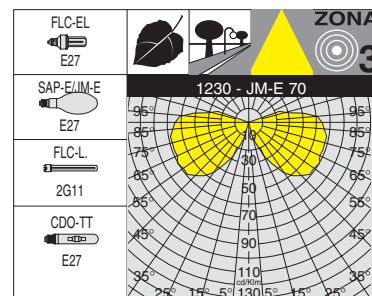
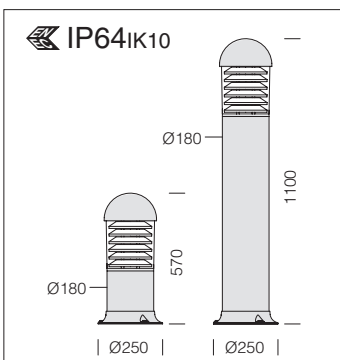


**Diffuser:** In polycarbonate, opal vandal resistant and V2 self-extinguishing, UV-stabilised.



1231 Faro - high version								
		S		CNR		CNRL		Lamps (Ta=25°C)
wattage	colour	weight	code	weight	code	weight	code	Kelvin - ølm - Ra
MAX 75	graphite	5.60	510103-00					
JM-E 70	graphite			6.70	510136-00			
FLC 2x18L	graphite					5.70	510139-00	4000K - 1200lm - Ra 1b

1233 Faro - short version								
		S		CNR		CNRL		Lamps (Ta=25°C)
wattage	colour	weight	code	weight	code	weight	code	Kelvin - ølm - Ra
MAX 75	graphite	2.65	510303-00					
JM-E 70	graphite			3.75	510336-00			
FLC 2x18L	graphite					4.20	510339-00	4000K - 1200lm - Ra 1b



**Diffuser:** In polycarbonate, clear vandal resistant and V2 self-extinguishing, UV-stabilised.

**Louvre:** in matt aluminium.



1230 Faro - high version								
		S		CNR		CNRL		Lamps (Ta=25°C)
wattage	colour	weight	code	weight	code	weight	code	Kelvin - ølm - Ra
MAX 75	graphite	6.00	510003-00					
JM-E 70	graphite			7.10	510033-00			
SAP-E 70	graphite			7.10	510038-00			
CDO-TT 50	graphite					7.10	510049-00	2800K - 4150lm - Ra 1b
MBF 80	s. silver			7.10	510034-00			
JM-E 70	s. silver			7.10	510041-00			
FLC 2x18L	graphite					6.30	510039-00	4000K - 1200lm - Ra 1b
FLC 2x18L	s. silver					6.30	510036-00	

1232 Faro - short version								
		S		CNR		CNRL		Lamps (Ta=25°C)
wattage	colour	weight	code	weight	code	weight	code	Kelvin - ølm - Ra
MAX 75	graphite	3.05	510203-00					
JM-E 70	graphite			4.15	510236-00			
SAP-E 70	graphite			4.15	510238-00			
FLC 2x18L	graphite					4.80	510239-00	4000K - 1200lm - Ra 1b