

S. Cristina - Bologna (Italy)



Villa Gallia - Como (Italy)



Doha - Qatar



**Housing:** die-cast aluminium with cooling fins.

**Diffuser:** tempered glass 4 mm thermal shock and impact resistant

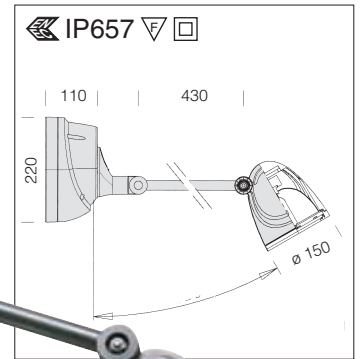
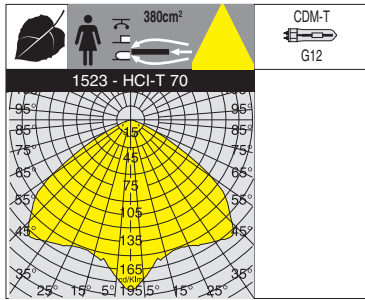
**Coating:** in several stages. First stage: epoxy cationic electrocoating, resistant to corrosive and saline environments. Second stage: UV stabilising priming; final stage: a rough finish with frosted silver or graphite grey paint.

**Electric gear:** 230V power supply with heat protection. Wire terminated with admiralty brass clamps, silicone insulation with fibreglass braid; cross section: 1 sqmm. 2P terminal block (maximum allowed lead cross section 2.5 sqmm.)

**Equipment:** silicone rubber gasket. Fibreglass nylon cable gland, Ø1/2 gas.

Saint Petersburg - Russia



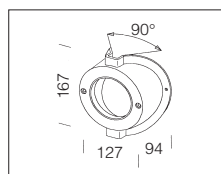
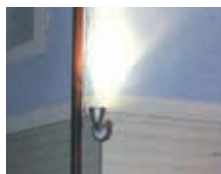


1523 Elfo - with adjustable arm				
		CNRL		Lamps (Ta=25°C)
wattage	colour	weight	code	Kelvin - olm - Ra
CDM-T 70	graphite	4.50	431820-00	4200K - 6600lm - Ra 1a

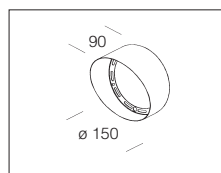
**Reflector:** anodised and polished turned aluminium.

**Diffuser:** tempered glass 4 mm thermal shock and impact resistant

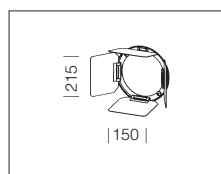
acc. 116 corner support	
black	991332-00
In fibreglass nylon. To install Elfo on a corner.	



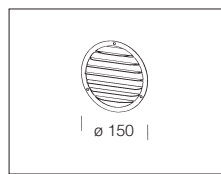
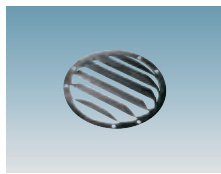
acc. 186 conveyor	
black	995746-00
Made of steel. Used for conveying the light beam in a single direction.	



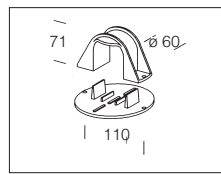
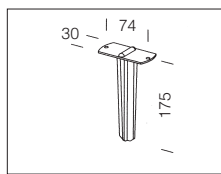
acc. 187 shutter	
black	995747-00
Made of powder-coated steel. To direct the light beam.	



acc. 190 louvre	
black	995753-00
Made of steel. To reduce glare effects and direct the light beam.	

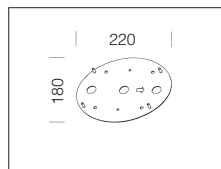


acc. 119 spike	
black	991335-00
Fibreglass nylon. For installation of Elfo into the ground.	

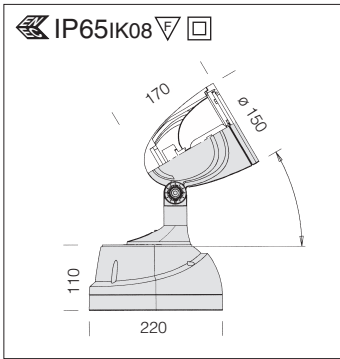


acc. 120 pole-mounted support	
black	991336-00
Fibreglass nylon. For installation of Elfo on any Ø 60 pole in any position. To be used with acc 188.	

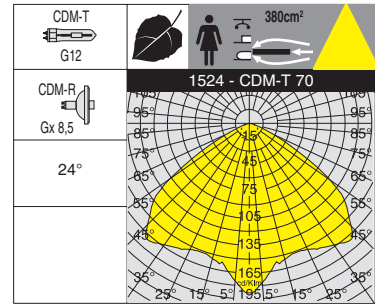
acc. 189 coloured filter	
blue	995749-00
red	995750-00
green	995751-00
yellow	995752-00
We recommend use with art. 1525.	



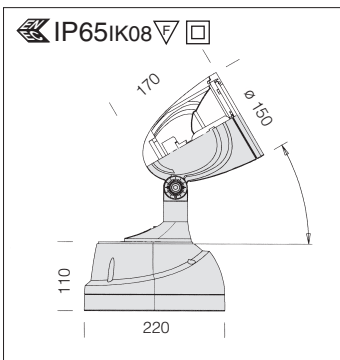
acc. 188 plate	
black	995748-00
Made of steel. To be used with acc. 120 for pole installation.	



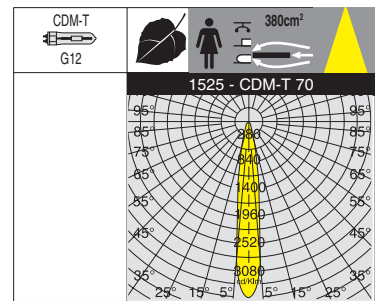
**Reflector:** anodised and polished turned aluminium



1524 Elfo - wide beam					
		CNRL		Lamps (Ta=25°C)	
wattage	colour	weight	code	Kelvin - ølm - Cd - Ra	
CDM-T 35	s. silver	2.60	431920-00	3000K - 3300lm - Ra 1b	
CDM-T 35	graphite	2.60	431922-00		
CDM-T 70	s. silver	2.60	431921-00	4200K - 6600lm - Ra 1a	
CDM-T 70	graphite	2.60	431923-00		
CDM-R111 35W	s. silver	2.60	431924-00	3000K - 8500cd - Ra 1b (24°)	
CDM-R111 35W	graphite	2.60	431925-00		



**Reflector:** anodised and polished turned aluminium. Supplied with anti-glare deflector.



1525 Elfo - narrow beam					
		CNRL		Lamps (Ta=25°C)	
wattage	colour	weight	code	Kelvin - ølm - Ra	
CDM-T 35	s. silver	3.60	432020-00	3000K - 3300lm - Ra 1b	
CDM-T 35	graphite	3.60	432022-00		
CDM-T 70	s. silver	3.60	432021-00	4200K - 6600lm - Ra 1a	
CDM-T 70	graphite	3.60	432023-00		