



Housing: Made of die-cast aluminium.

Cover: Made of aluminium plate.

Coating: In several stages. First stage: grey epoxy cationic electro-coating, resistant to corrosive and saline environments. Second stage: UV stabilising priming; final stage: a rough finish with graphite or sand-silver acrylic paint.

Electric gear: Supplied at 230V/50Hz with thermal protection.

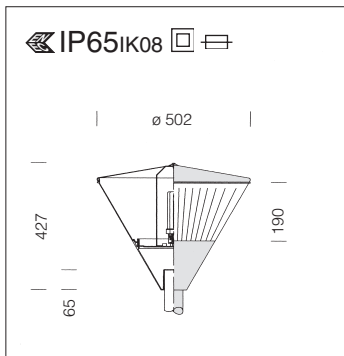
Equipment: 6.3A protection fuse. Rubber cable gland, Ø 1/2 gas thread.



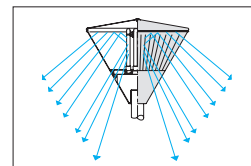
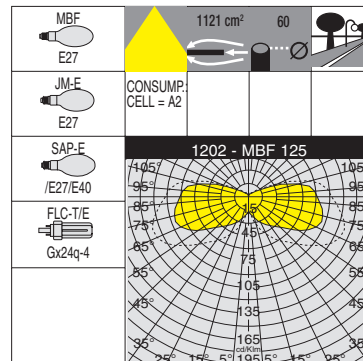
LED Version

Mercedes & Crysler - Sabac (Serbia)





Diffuser: In vandal resistant and V2 self-extinguishing polycarbonate, UV stabilized, smooth outside, scored inside.

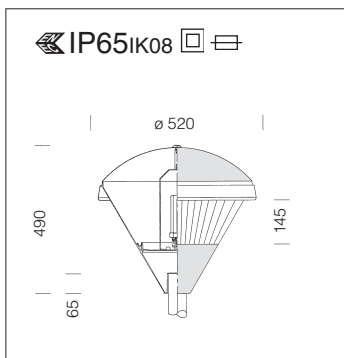


1202 Polar

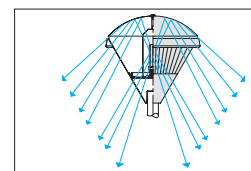
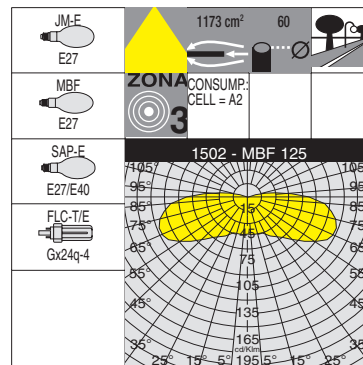
		S		CNR-F		CELL-F		CNRL-F	
wattage	colour	weight	code	weight	code	weight	code	weight	code
Max 60	graphite	3.20	422134-00						
SAP-E 70*	graphite			4.75	422136-00				
SAP-E 100	graphite			4.85	422137-00				
FLC 42 T/E	graphite					4.10	422138-00		
JM-E 100	graphite							4.80	422139-00

* use lamp with built-in igniter

Lamps: FLC 42T/E 4000K 3200 lm ; JM-E 100 3200K 9000 lm



Diffuser: In vandal resistant and V2 self-extinguishing polycarbonate, UV stabilized, smooth outside, scored inside.

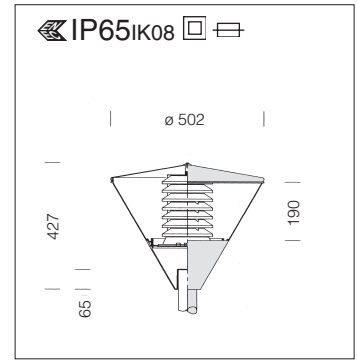
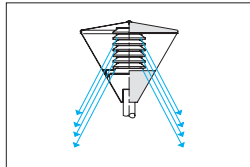
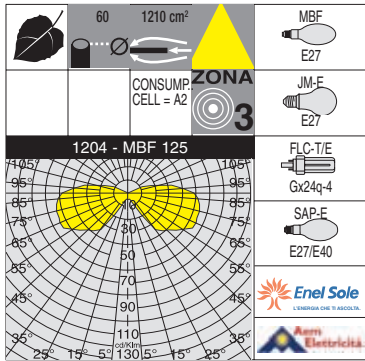


1502 Polar

		S		CNR-F		CELL-F		CNRL-F	
wattage	colour	weight	code	weight	code	weight	code	weight	code
Max 60	graphite	3.30	422128-00						
SAP-E 70*	graphite			4.75	422130-00				
SAP-E 70*	s. silver			4.75	422113-00				
SAP-E 100	graphite			4.85	422131-00				
SAP-E 100	s. silver			4.85	422114-00				
FLC 42 T/E	graphite					4.50	422132-00		
JM-E 100	graphite							4.60	422133-00

* use lamp with built-in igniter

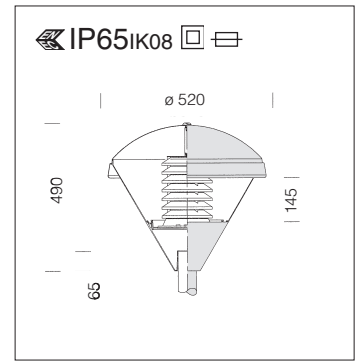
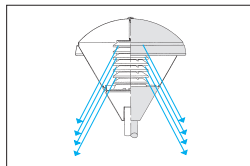
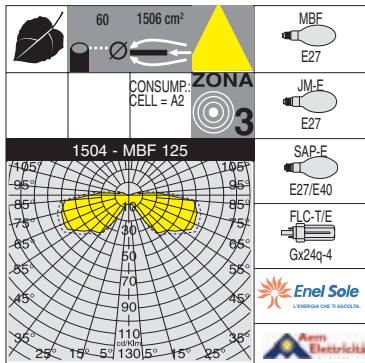
Lamps: FLC 42T/E 4000K 3200 lm ; JM-E 100 3200K 9000 lm



Reflector: Matt aluminium louvre.
Diffuser: In vandal resistant polycarbonate and self-extinguishing V2, UV stabilized.

1204 Clima								
wattage	colour	CNR-F		CELL-F		CNRL-F		Lamps (Ta=25°C) Kelvin - ølm - Ra
		weight	code	weight	code	weight	code	
SAP-E 70*	graphite	5.40	422286-00					
SAP-E 70*	s. silver	5.40	422210-00					
SAP-E 100	graphite	5.40	422287-00					
SAP-E 100	s. silver	5.40	422211-00					
FLC 42T/E	graphite			4.10	422288-00			4000K - 3200lm - Ra 1b
JM-E 100	graphite					4.80	422289-00	3200K - 9000lm - Ra 2a

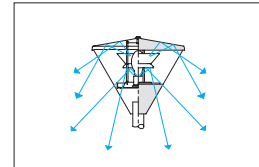
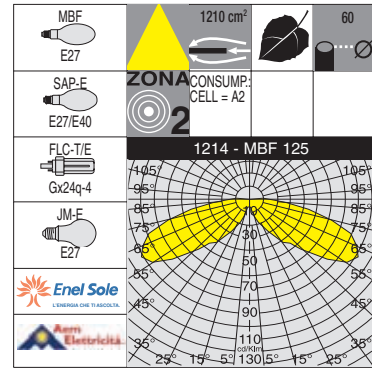
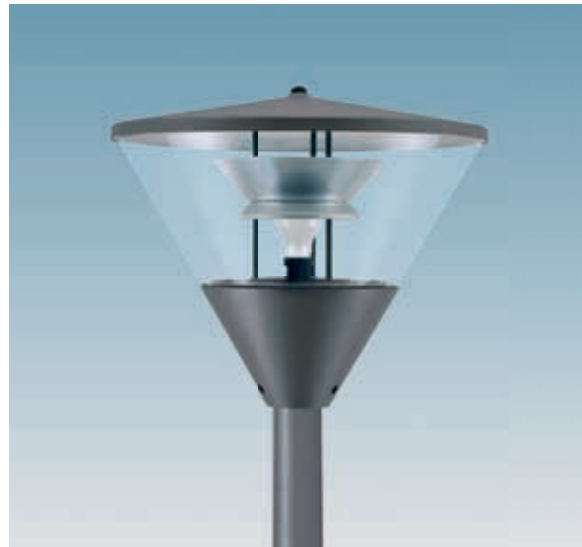
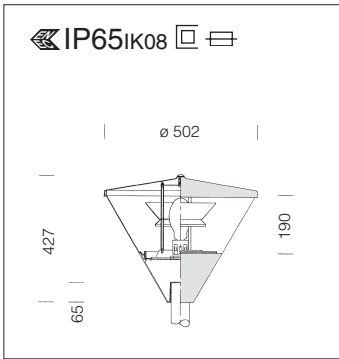
* use lamp with built-in igniter



Reflector: Matt aluminium louvre.
Diffuser: In vandal resistant polycarbonate and self-extinguishing V2, UV stabilized.

1504 Clima								
wattage	colour	CNR-F		CELL-F		CNRL-F		Lamps (Ta=25°C) Kelvin - ølm - Ra
		weight	code	weight	code	weight	code	
SAP-E 70*	graphite	5.40	422341-00					
SAP-E 70*	s. silver	5.40	422215-00					
SAP-E 100	graphite	5.40	422342-00					
SAP-E 100	s. silver	5.40	422214-00					
FLC 42T/E	graphite			4.10	422343-00			4000K - 3200lm - Ra 1b
JM-E 100	graphite					4.80	422344-00	3200K - 9000lm - Ra 2a

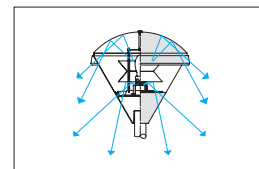
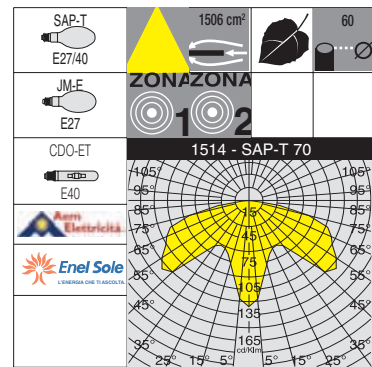
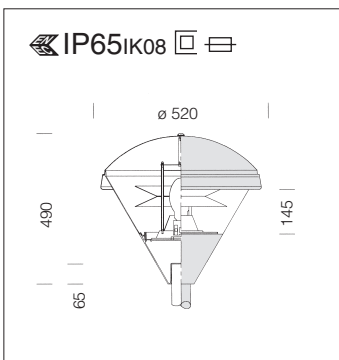
* use lamp with built-in igniter



Reflector: Matt aluminium louvre.
Diffuser: In vandal resistant polycarbonate and self-extinguishing V2, UV stabilized.

1214 Clima								
		CNR-F		CELL-F		CNRL-F		Lamps (Ta=25°C)
wattage	colour	weight	code	weight	code	weight	code	Kelvin - ølm - Ra
SAP-E 70*	graphite	5.40	422351-00					
SAP-E 100	graphite	5.40	422352-00					
FLC 42T/E	graphite			4.10	422353-00			4000K - 3200lm - Ra 1b
JM-E 100	graphite					5.80	422354-00	3200K - 9000lm - Ra 2a

* use lamp with built-in igniter



Reflector: Black aluminium louvre.
1514 Zona 1 with black aluminium louvre.
Diffuser: In vandal resistant polycarbonate and self-extinguishing V2, UV stabilized.

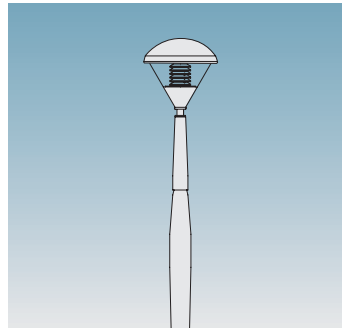
Can be installed with new lamp CDM Elite MW 210W.

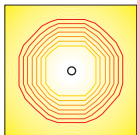
210W	24100 lm	3000K	Ra90
	23100 lm	4200K	Ra90

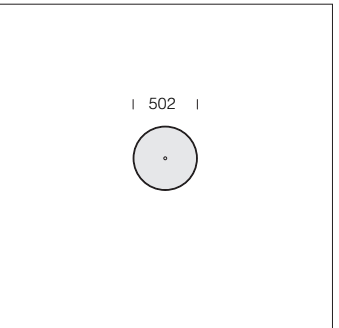
1514 Clima - zona 1								
		CNRL-F						Lamps (Ta=25°C)
wattage	colour	weight	code					Kelvin - ølm - Ra
SAP-T 70	graphite	5.30	422361-00					2000K - 6000lm - Ra 4
SAP-T 70	s. silver	5.30	422331-00					
SAP-T 100	graphite	5.40	422362-00					2000K - 9000lm - Ra 4
SAP-T 100	s. silver	5.40	422333-00					
JM-E 70	graphite	5.30	422363-00					4000K - 5000lm - Ra 2a
JM-E 70	s. silver	5.30	422335-00					
JM-E 100	graphite	5.40	422364-00					3200K - 9000lm - Ra 2a
JM-E 100	s. silver	5.40	422337-00					
CDO-ET100	graphite	5.40	422365-00					2800K - 8300lm - Ra 1b
CDO-ET100	s. silver	5.40	422338-00					

Exemple d 22 - with pole Village - 1 Clima

Components:	
1 Clima (choose 1 among the art.)	
1 pole Village acc. 1435	425250

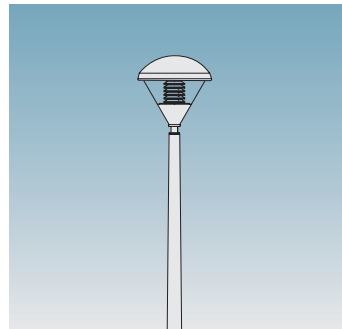


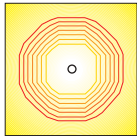
1435			
Example of project with art.1204 - SAP-E100. Area 10x10 m; h=5m			
		LEGEND 5 7 9 11 13 15 17	

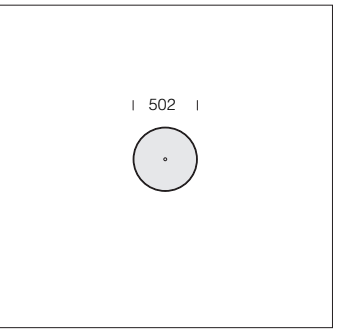


Exemple d23 - with pole City - 1 Clima

Components:	
1 Clima (choose 1 among the art.)	
1 pole City acc. 1430	425240

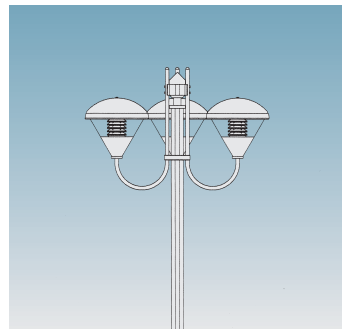


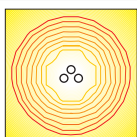
1430			
Example of project with art.1504 - SAP-E100. Area 8x8 m; h=3,1m			
		LEGEND 5 7 9 11 13 15 17	

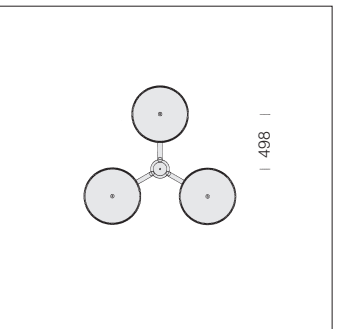


ES. a 92 - with pole Ø100 - 3 Clima

Components:	
3 Clima (choose 3 art.)	
1 pole to be chosen between acc 1408 e 1409*	
3 curved arms acc. 1362 (choose the size)	
1 corona acc. 1364	426981
1 flange acc. 1365	426982
*pole height can be specified as desired	




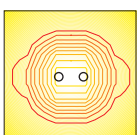
1408/1409	ACC 1362	ACC 1364	ACC 1365
Example of project with art.1504 - JM-E100. Area 10x10 m; h=3,1m			
		LEGEND 6 9 12 15 18 21 24 27	

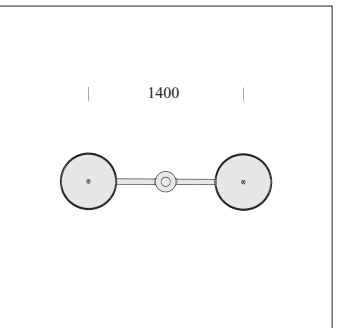


ES. a 93 - with pole Ø100 - 2 Clima

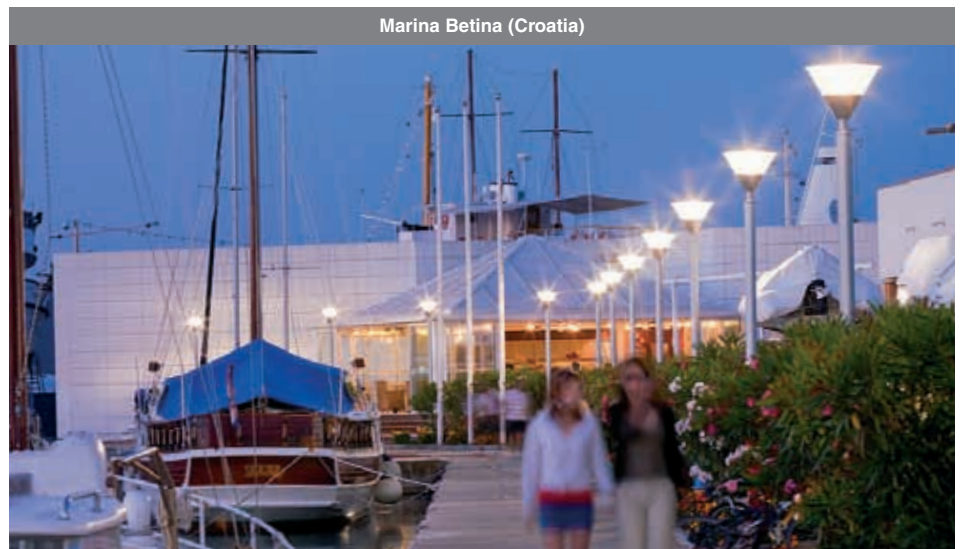
Components:	
2 Clima (choose 2 art.)	
1 pole to be chosen between acc 1408 e 1409*	
2 arms oliva acc. 301	426972/73
1 oliva acc. 300	426970/71
1 attachment ø60 acc. 303	426976/77
*pole height can be specified as desired	



1408/1409	ACC 300	ACC 301	ACC 303
Example of project with art.1504 - MBF125. Area 12x6 m; h=3,1m			
		LEGEND 5 7 9 11 13 15 17 19 21	




Chile



Marina Betina (Croatia)

1408/1409

Example of project with art. 1204 - JM-E100. Area 8x8 m; h=3,1m

LEGEND

- 1
- 2
- 3
- 4
- 5
- 6
- 7

ES. a 90 - with pole Ø100 - 1 Clima	
Components:	
1 Clima (choose 1 among the art.)	
1 pole to be chosen between acc 1408 e 1409*	
*pole height can be specified as desired	

1480/81

Example of project with art. 1204 - SAP-E100. Area 10x10 m; h=5m

LEGEND

- 5
- 7
- 9
- 11
- 13
- 15
- 17

ES. b 94 - with conical pole - 1 Clima	
Components:	
1 Clima (choose 1 among the art.)	
1 pole to be chosen between acc 1480 e 1481*	
*pole height can be specified as desired	

1435

Example of project with art. 1204 - SAP-E100. Area 10x10 m; h=5m

LEGEND

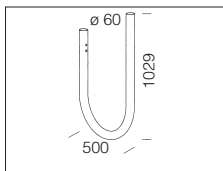
- 5
- 7
- 9
- 11
- 13
- 15
- 17

ES. d 21 - with pole Village - 1 Clima	
Components:	
1 Clima (choose 1 among the art.)	
1 pole Village acc. 1435	425250

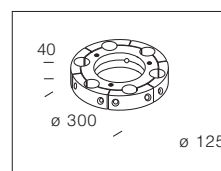
1508/1509 ACC 129 ACC 1462 ACC 1464 ACC 1465

Example of project with art. 1204 - SAP-E100. Area 12x6 m; h=4,1m

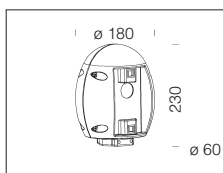
ES. b 91 - with pole Ø120 - 2 Clima	
Components:	
2 Clima (choose 2 art.)	
1 pole to be chosen between acc 1508 e 1509*	
2 curved arms acc. 1462 (choose the size) or arm acc. 129 cod. 991328	
1 corona acc. 1464	426984
1 flange acc. 1465	426985
*pole height can be specified as desired	



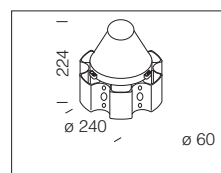
acc. 129 curved arm	
black	991328-00
s. silver	991329-00
Tropicalised steel. Apply to Corona accessories ø120 and poles acc. 1508/1509.	



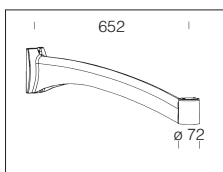
acc. 1465 Corona flange	
black	426985-00
s. silver	426991-00
graphite	427001-00
Made of die-cast aluminium. With 6 arm-stop devices to reinforce the assembly.	



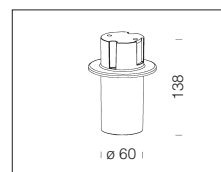
acc. 300 Oliva	
s. silver	426970-00
graphite	426971-00
In aluminium. For installation on ø60 pole of the arms acc. 301	



acc. 1464 Corona Ø120	
black	426984-00
s. silver	426990-00
graphite	427000-00
Made of die-cast aluminium. It permits the arm mounting acc. 129. Complete with terminal block.	



acc. 301 arm Oliva	
s. silver	426972-00
graphite	426973-00
Made of aluminium. To be used with acc. 211/300/309 for pole mounting or acc. 302/309 for wall mounting..	



acc. 303 connection ø 60	
s. silver	426976-00
graphite	426977-00
Made of aluminium. To be always used with acc. 301 for pole arm installation.	