



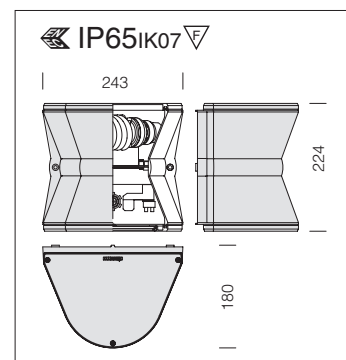
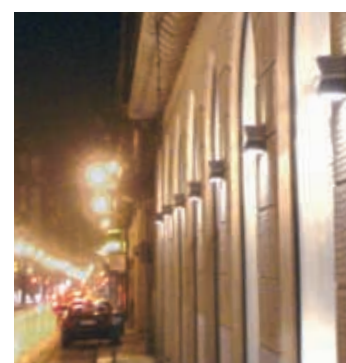
**Housing/Frame:** Made of die-cast aluminium.

**Coating:** In several stages. First stage: epoxy cationic electrocoating, resistant to corrosive and saline environments. Second stage: UV stabilising priming; final stage: a rough finish with sanblasted silver or graphite.

**Electric gear:** 2P terminal block maximum allowed lead cross section 2.5 sqmm.

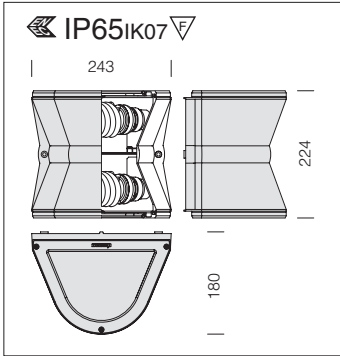


For Powered triple optics version.

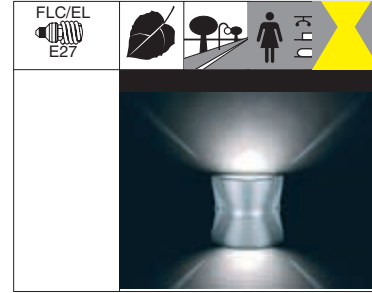


**Diffuser:** tempered, thermal shock and impact resistant glass.

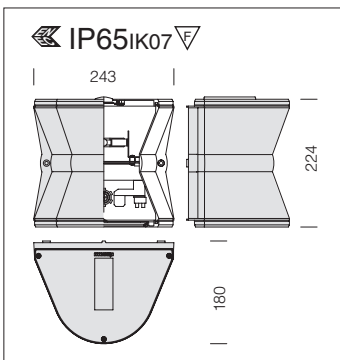
1549 Clessidra 3 - direct light				
		S+L		Lamps (Ta=25°C)
wattage	colour	weight	code	Kelvin - ølm - Ra
FLC 1x23 EL	graphite	2.00	420582-00	2700K - 1550lm - Ra 1b
FLC 1x23 EL	s. silver	2.00	420581-00	



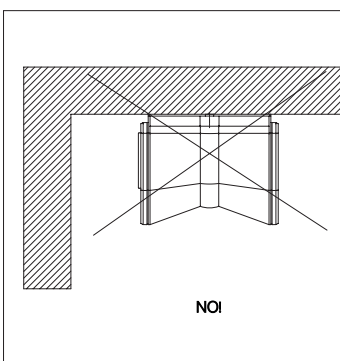
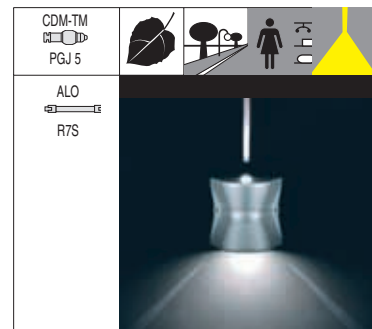
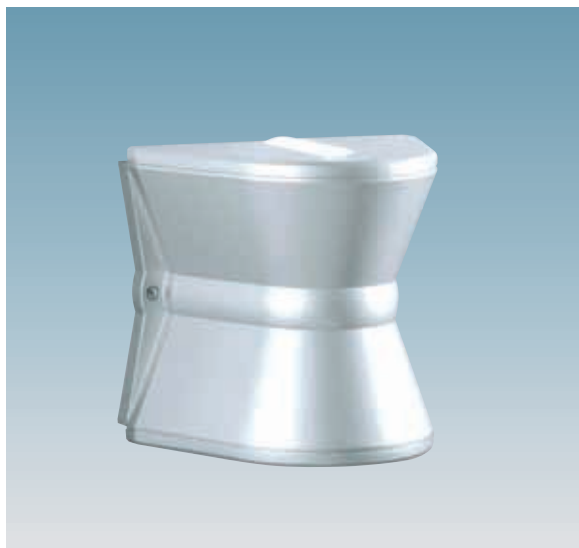
**Diffuser:** tempered, thermal shock and impact resistant glass.



1547 Clessidra 1 - direct/indirect light				
		S+L		Lamps (Ta=25°C)
wattage	colour	weight	code	Kelvin - ølm - Ra
FLC 2x23 EL	graphite	2.00	420562-00	2700K - 1550lm - Ra 1b
FLC 2x23 EL	s. silver	2.00	420561-00	



**Diffuser:** tempered, thermal shock and impact resistant glass. With glass lens to create lighting effects.



1548 Clessidra 2 - direct/indirect with lens						
		S+L		CELL		Lamps (Ta=25°C)
wattage	colour	weight	code	weight	code	Kelvin - ølm - Ra
ALO 100	graphite	2.00	420572-00			3000K - 1600lm Ra 1a
ALO 100	s. silver	2.00	420570-00			
CDM-TM 20	graphite			2.00	420573-00	3000K - 1650lm Ra 1b
CDM-TM 20	s. silver			2.00	420571-00	