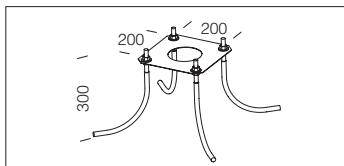


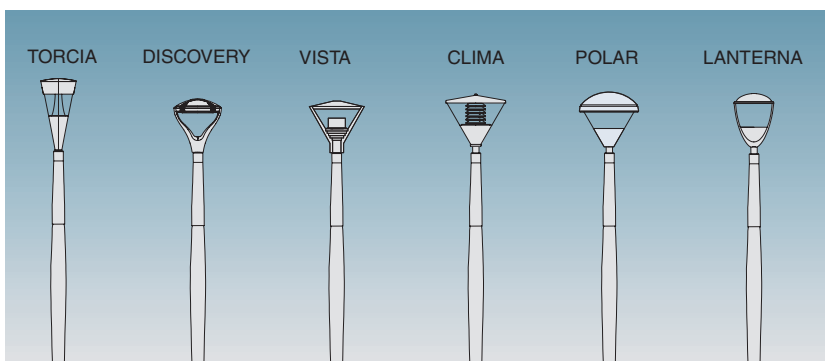
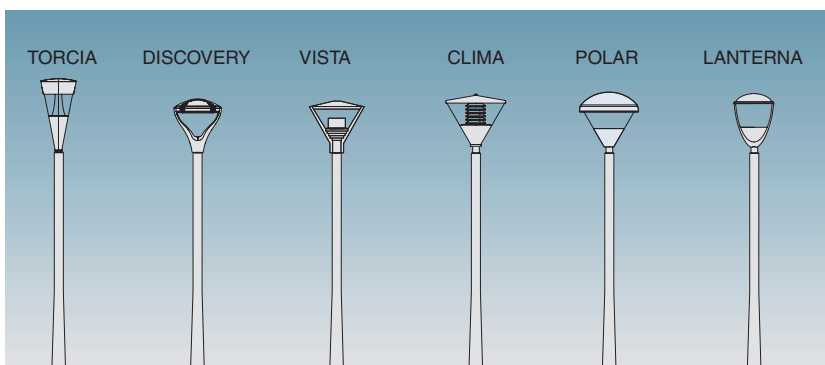
Pole in shaped brushed aluminium alloy 6060.
 Supplied with inspection window.
 2 protection fuse holders, 2 fuses (10A), removable terminal block.

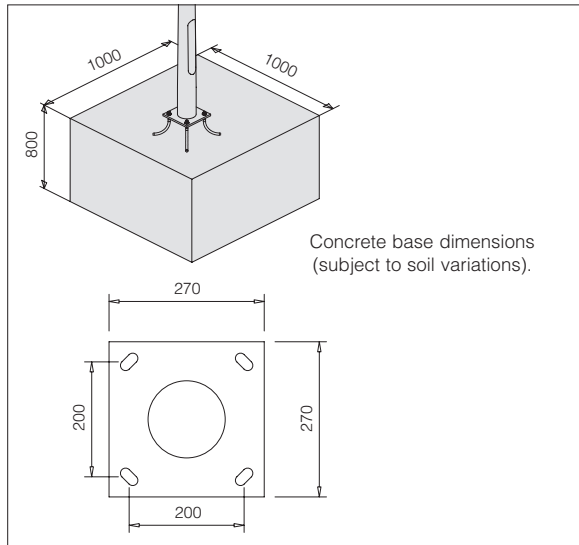
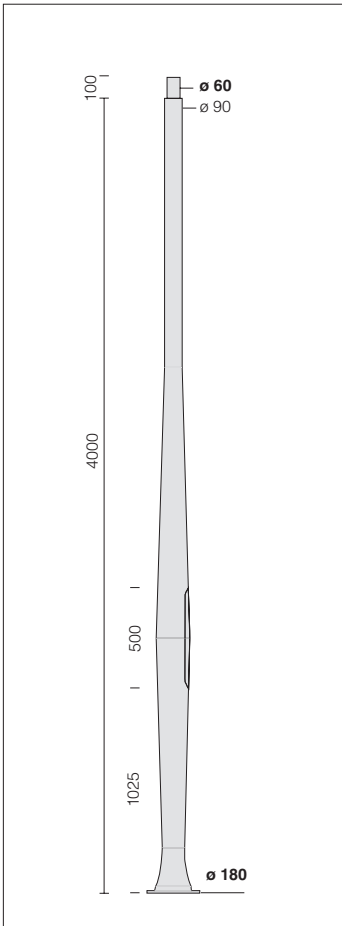
Its profile makes it suitable for use in picturesque towns and municipalities.

Cylindrical cone shaped section, 180 mm diameter base, which allows plenty of room at the foot of the lamp for housing electric devices.



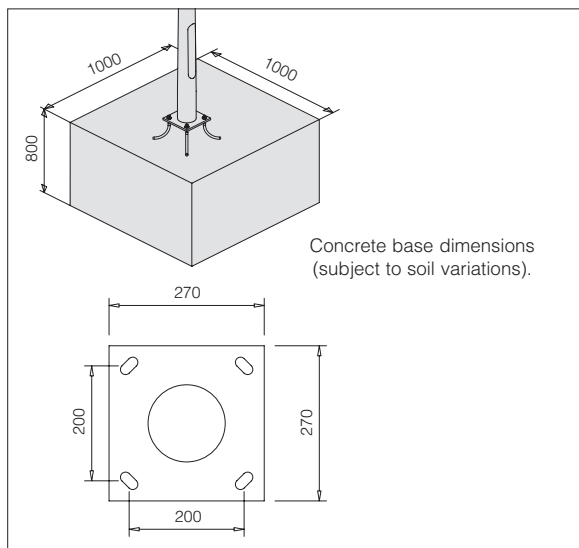
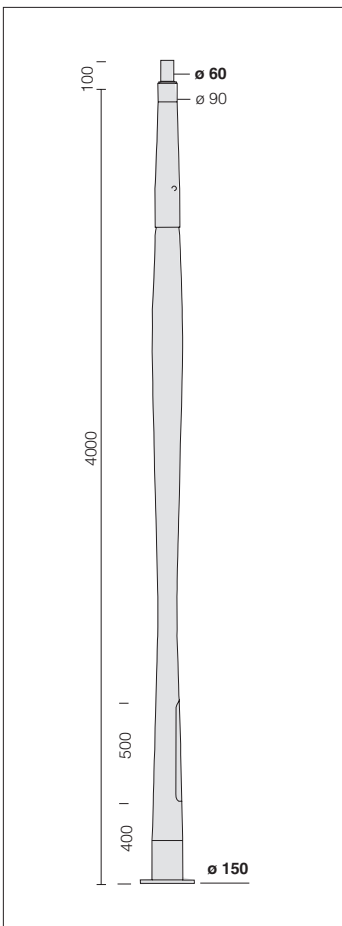
acc. 298 log bolts
991394-00
To be used for the installation of poles acc. 1430-1435.





acc. 1430 - "City" pole

colour	code	4000	1025	500	95	Ø 180	Ø 60	270x270
graphite	425240-00	Log bolts are to be bought separately acc. 298.						



acc. 1435 - "Village" pole

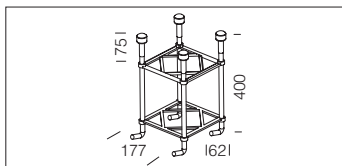
colour	code	4000	1025	500	85	Ø 150	Ø 60	270x270
graphite + silver	425250-00	Log bolts are to be bought separately acc. 298.						

Tapered steel lighting pole. With hole for insertion of power supply cable, pole-head connection, $\varnothing 60$.

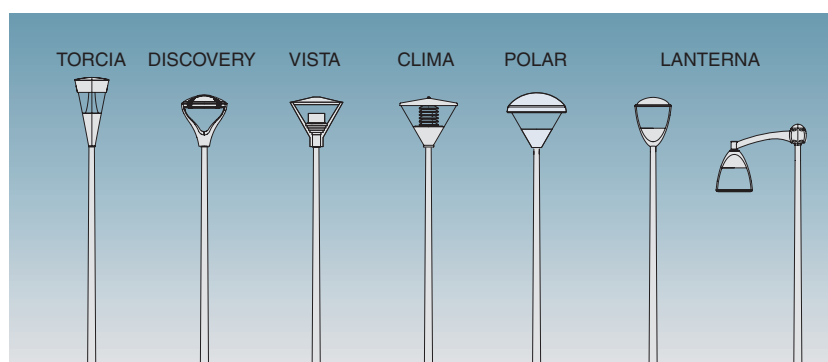
For the version with base, 4 log bolts to be sunk into the ground, bolts and lids have to be purchased. Size of inspection window 38x132 (h 3 000) - 45x186 (h 4000-5000-6000), supplied with protection fuse holder, 1 fuse, 10A, removable terminal block, 4 poles/3 holes = 6sqmm and shunt 4sqmm.

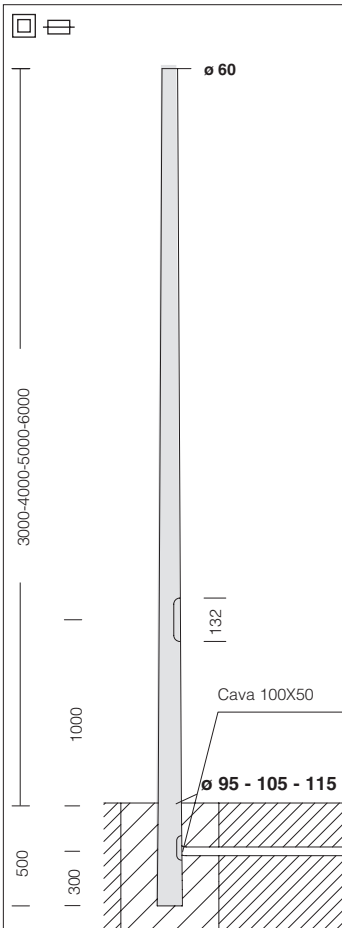
Standard insulation class II. When using Insulation Class I fixtures, appropriate grounding connections should be included in the system.

NOTE: The possibility to attach an assembly to the pole is subject to a wind pressure resistance assessment in the areas regulated by CNR-UNI standard 10032-67, according to load assumptions in UNI standard 40/6.



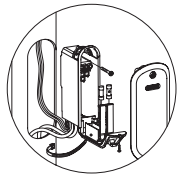
acc. 299 log bolts	
	991396-00
Log bolts are to be always used with the pole 1480.	



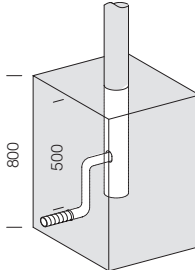


ON REQUEST
Possibility of supplying poles with the following colour paint finishes:
RAL 3003, 5011, 7026, 9011, 8015, 5002 7024, 7016, 9006, 7037, 6004, 8019, 6011, 7022, 1015, 9010.

Inspection door with easily removable terminal board for quick connection.



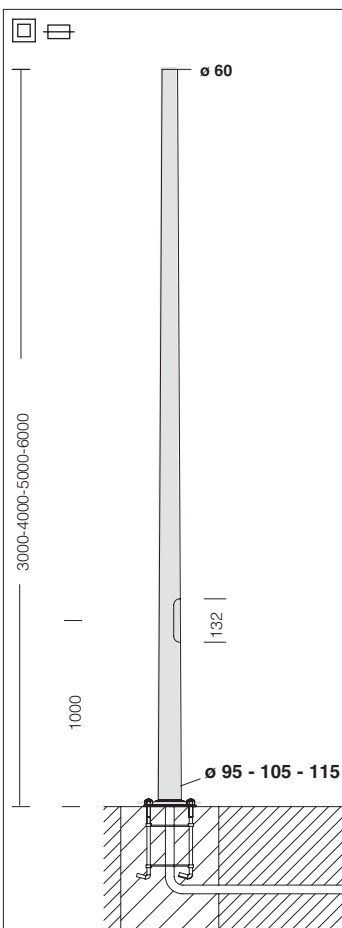
Concrete base dimensions (subject to soil variations).





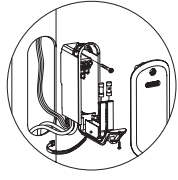
acc. 1481 - steel cone-shaped to be buried-with window

colour	code								
silver	425150-00	3500	3000	500	1000	132	38	Ø 95 105 115	Ø 60
silver	425151-00	4500	4000	500		186	45		
silver	425152-00	5500	5000	500		186	45		
silver	425153-00	6500	6000	500		186	45		
graphite	425154-00	3500	3000	500		132	38		
graphite	425155-00	4500	4000	500		186	45		
graphite	425156-00	5500	5000	500		186	45		
graphite	425157-00	6500	6000	500		186	45		

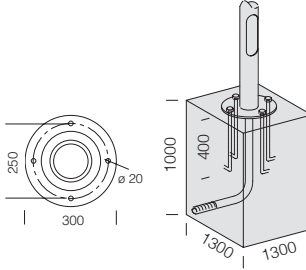


ON REQUEST
Possibility of supplying poles with the following colour paint finishes:
RAL 3003, 5011, 7026, 9011, 8015, 5002 7024, 7016, 9006, 7037, 6004, 8019, 6011, 7022, 1015, 9010.

Inspection door with easily removable terminal board for quick connection.



Concrete base dimensions (subject to soil variations).





acc. 1480 - steel cone-shaped with base-with window

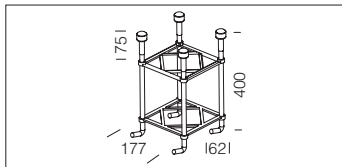
colour	code								
silver	425050-00	3000	1000	132	38	Ø 95 105 115	Ø 60	Ø 300 hole Ø 20	
silver	425051-00	4000		186	45				
silver	425052-00	5000		186	45				
silver	425053-00	6000		186	45				
graphite	425054-00	3000		132	38				
graphite	425055-00	4000		186	45				
graphite	425056-00	5000		186	45				
graphite	425057-00	6000		186	45				

Log bolts are to be bought separately acc. 299.

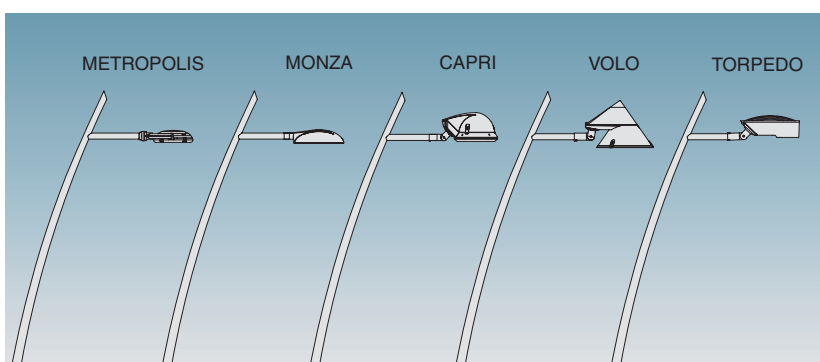
Tapered steel lighting pole. With hole for insertion of power supply cable, pole-head connection, $\varnothing 60$.

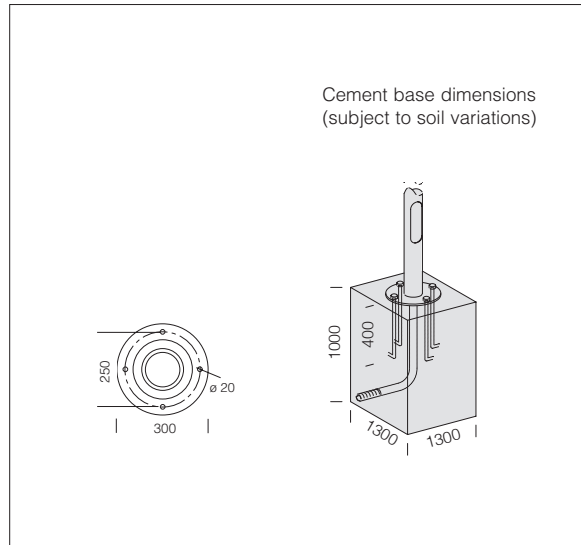
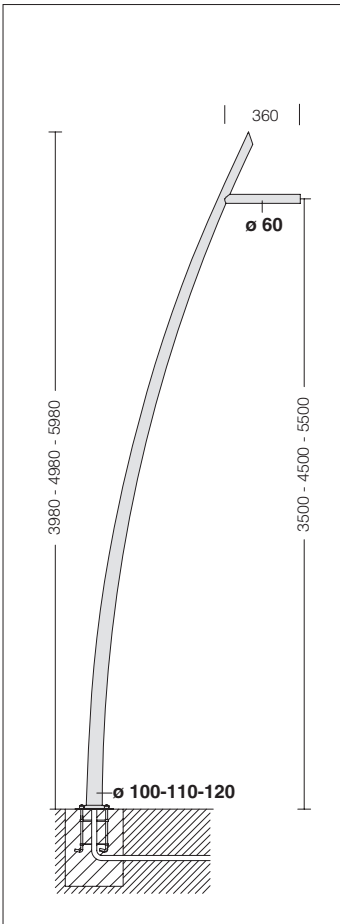
For the version with base, 4 log bolts to be sunk into the ground, bolts and lids have to be purchased. Standard insulation class II. When using insulation Class I fixtures, appropriate grounding connections should be included in the system.

NOTE: The possibility to attach an assembly to the pole is subject to a wind pressure resistance assessment in the areas regulated by CNR-UNI standard 10032-67, according to load assumptions in UNI standard 40/6.



acc. 299 log bolts	
	991396-00
Log bolts are to be always used with the pole 1490.	





acc. 1490 "Virgola" pole

colour	code					
silver	425080-00	3980	3500	Ø 100	Ø 60	Ø 250 hole Ø 20
silver	425081-00	4980	4500	Ø 110		
silver	425082-00	5980	5500	Ø 120		

Painted pole in galvanized steel. Complete with cap and cable insertion hole.
Log bolts are to be bought separately acc. 299.

