

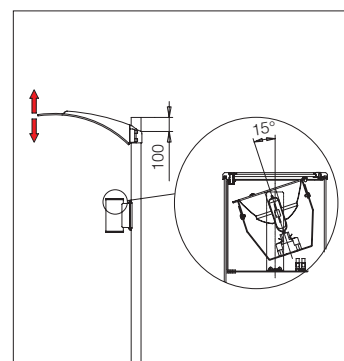


Housing/Frame: Die cast aluminium.

Painting: In various phases. The first phase involves immersion in grey epoxy cataphoresis, withstands corrosion and salt mists. The second phase applies an undercoat to stabilise against UV rays and the last phase provides a pressed metal finish using silver acrylic paint.

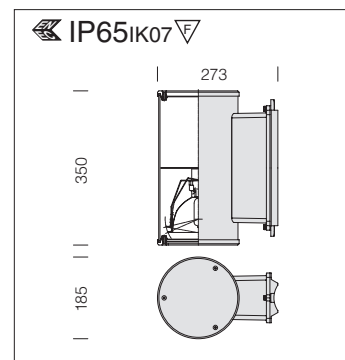
Electric gear: 230V/50Hz power supply with heat protection. Flexible cable, terminated with quick connector, tin-plated brass tips, Silicon insulation with glass braid. 3P terminal strip with 4 mm² maximum permitted cross-section of conductors.

Pegaso: please refer to the chapter Urban Décor for Information on Pegaso.



CDM-T
G12

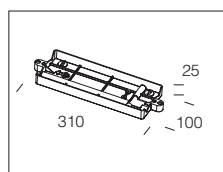
FLC-T
G24d-3



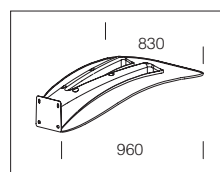
Reflector: pressed and polished aluminium. Adjustable in direct light version.

Diffuser: 4 mm thick toughened glass, thermal shock and impact resistant.

1292 Cilindro 3 - direct light				
		CNRL		Lamps (Ta=25°C)
wattage	colour	weight	code	Kelvin - ølm - Ra
CDM-T 70	s. silver	6.90	420432-00	3000K - 6600lm - Ra 1b
CDM-T 150	s. silver	6.90	420433-00	3000K - 14000lm - Ra 1b
FLC 1x26T	s. silver	6.90	420434-00	4000K - 1800lm - Ra 1b



acc. 401 wall mounting	
s. silver	420450-00
Wall mounting for Cilindro.	



acc. 389 Pegaso wall version	
s. silver	991393-00
Indirect light double aluminium for wall mounting.	

