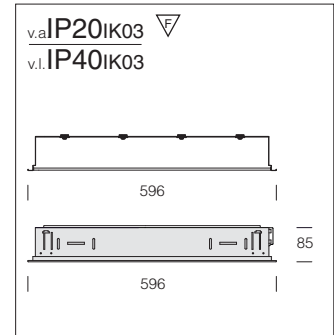




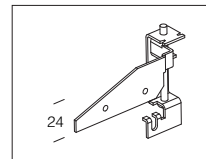
830 - 36x1,4 - 130°		
0.5	Ø1.10 Ø2.19	3058
1.0	Ø2.19 Ø4.39	765
1.5	Ø3.29 Ø6.58	340
2.0	Ø4.39 Ø8.78	191
2.5	Ø5.48 Ø10.97	122
m	Ø6.57 Ø13.17	85lux



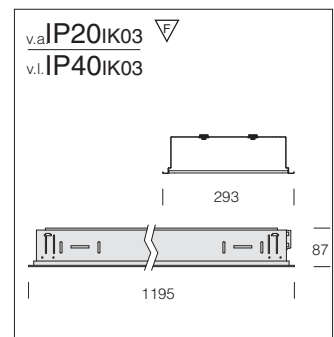
Housing: made of sheet steel.
Diffuser: in frosted plexiglass.
LED: 36 power LED (1,4W max each one).
Supplied without brackets: for contact mounting directly on the cross T structure. When not contact mounted.
Working life: 50000h (from -30° to +70° C - Ta=25°C).

830 - Comfort - recessed with Power LED						
		CTL			LED	
wattage	colour	weight	code	W tot	K	ølm 230V
1,2W white LED	white	5,20	152122-00	43,2W	6000K	2880 lm
Upon request: 4000K						

acc. 901 adjustable bracket
 galvanized 998026-00
 In zinc plated steel. 4-pc set to be used when the fixture is not contact mounted.



830 - 36x1,4 - 110°		
0.5	Ø1.10 Ø1.46	2881
1.0	Ø2.21 Ø2.91	720
1.5	Ø3.31 Ø4.37	320
2.0	Ø4.41 Ø5.82	180
2.5	Ø5.51 Ø7.28	115
m	Ø6.62 Ø8.73	80lux



Housing: made of sheet steel.
Diffuser: in frosted plexiglass.
LED: 36 power LED (1,4W max each one).
Supplied without brackets: for contact mounting directly on the cross T structure. When not contact mounted.
Working life: 50000h (from -30° to +70° C - Ta=25°C).

830 - Comfort - recessed with Power LED						
		CTL			LED	
wattage 350mA	colour	weight	code	W tot	K	ølm 230V
1,2W white LED	white	5,20	152121-00	43,2W	6000K	2880 lm
Upon request: 4000K						

acc. 901 adjustable bracket
 galvanized 998026-00
 In zinc plated steel. 4-pc set to be used when the fixture is not contact mounted.

