

Le Phare - Chambéry (France)*



Residence Melendugno - Lecce (Italy)



Housing: vandal resistant nylon, UV-stabilised.

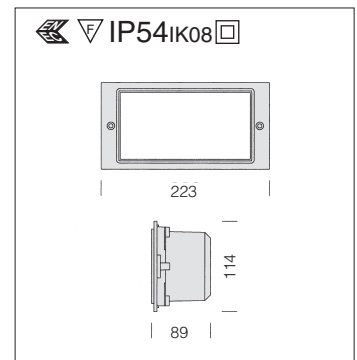
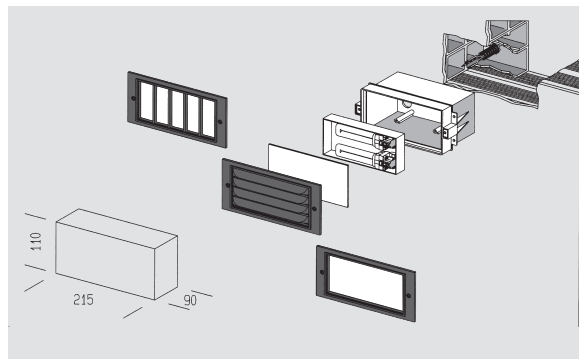
Frame: die-cast aluminium.

Diffuser: in opal plexiglass.

Coating: epoxy cationic electro-coating, black (frame/grid), resistant to corrosive and saline environments, rough finish with acrylic coating (it has passed the UNI ISO 9227 1000 hr test).

Electric gear: 230V/50Hz power supply. Hard wire, 0.50 sqmm cross section in silicone fibreglass braid. 2P terminal block with maximum allowed lead cross section of 2.5 sqmm.

Equipment: rubber gasket. With removable electric gear tray.

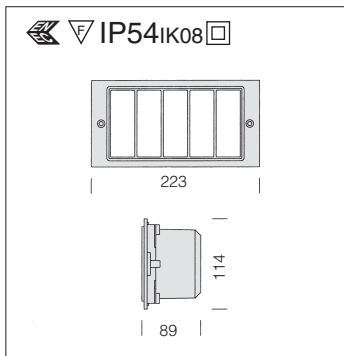


1206 Box						
		S		CNL		Lamps (Ta=25°C)
wattage	colour	weight	code	weight	code	Kelvin - ølm - Ra
MAX 25	black	0.72	431001-00			
FLC 1x7S	black			0.97	431021-00	4000K - 400lm - Ra 1b
FLC 2x7S	black			1.07	431022-00	

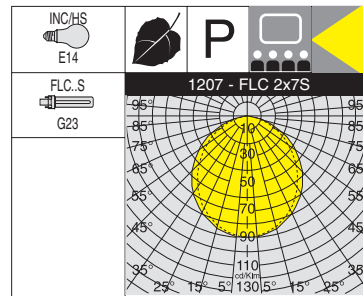
Recommended for use with signs, self-adhesive directions or street numbers.

Self-adhesive pictograms available

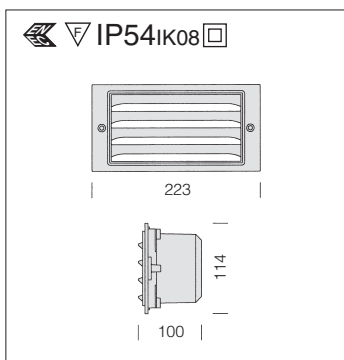
EXIT cod. 995130
 cod. 995132
 WC cod. 995131



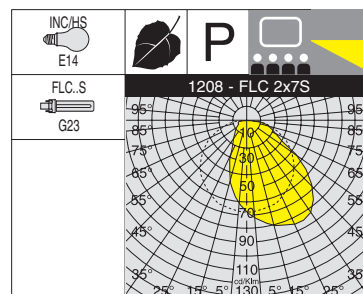
Standard supply: grid with vertical louvres.



1207 Box						
		S		CNL		Lamps (Ta=25°C)
wattage	colour	weight	code	weight	code	Kelvin - ølm - Ra
MAX 25	black	0.75	431501-00			
FLC 1x7S	black			1.00	431521-00	4000K - 400lm
FLC 2x7S	black			1.10	431522-00	Ra 1b



Standard supply: grid with horizontal louvres.



1208 Box						
		S		CNL		Lamps (Ta=25°C)
wattage	colour	weight	code	weight	code	Kelvin - ølm - Ra
MAX 25	black	0.80	431601-00			
FLC 1x7S	black			1.00	431621-00	4000K - 400lm
FLC 2x7S	black			1.10	431622-00	Ra 1b