

**Housing:** Galvanised steel previously stove-enamelled with polyester resin, with rounded edges for hand safety; end caps made of self-extinguishing material.

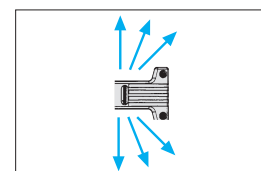
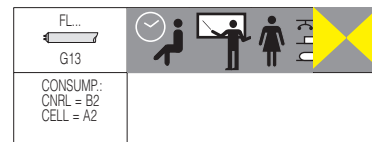
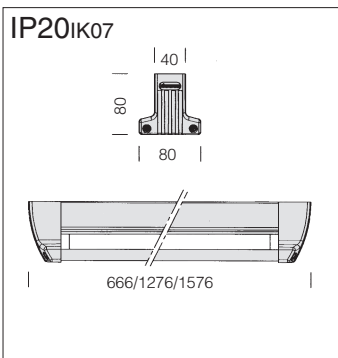
**Diffuser:** Dust-proof, UV stabilised opal plexiglas, fluted inside and smooth outside.

**Electric gear:** 230V/50Hz power supply. Hard wire cross section 0.50sqmm. 2P+T terminal block.

**Lamp:** With 2700 K fluorescent lamps.

413 Boreale - with plexiglass diffuser				
		CELL		Lamps (Ta=25°C)
wattage	colour	weight	code	Kelvin - ølm - Ra
FL 1x18	white	0.70	214912-08	4000K - 1350lm - Ra 1b
FL 1x30	white	1.00	214913-08	4000K - 2350lm - Ra 1b
FL 1x36	white	1.40	214914-08	4000K - 3350lm - Ra 1b
FL 1x58	white	1.90	214915-08	4000K - 5200lm - Ra 1b

414 Boreale - with asymmetrical reflector				
		CELL		Lamps (Ta=25°C)
wattage	colour	weight	code	Kelvin - ølm - Ra
FL 1x18	white	1.20	214922-08	4000K - 1350lm - Ra 1b
FL 1x30	white	1.50	214923-08	4000K - 2350lm - Ra 1b
FL 1x36	white	2.20	214924-08	4000K - 3350lm - Ra 1b
FL 1x58	white	2.50	214925-08	4000K - 5200lm - Ra 1b



**Diffuser:** front diffuser panel, to create lighting effects.

419 Boreale - with anti-glare diffuser				
		CELL		Lamps (Ta=25°C)
wattage	colour	weight	code	Kelvin - ølm - Ra
FL 1x18	white	2.60	214940-08	4000K - 1350lm - Ra 1b
FL 1x36	white	3.30	214941-08	4000K - 3350lm - Ra 1b
FL 1x58	white	3.60	214942-08	4000K - 5200lm - Ra 1b