

Housing: galvanized steel stove pre-enamelling using white polyester resin.

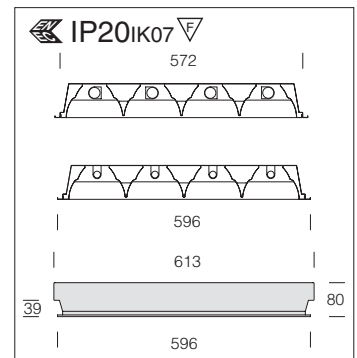
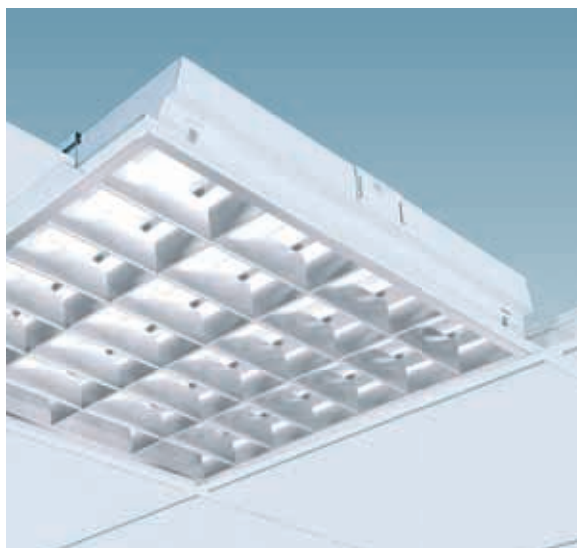
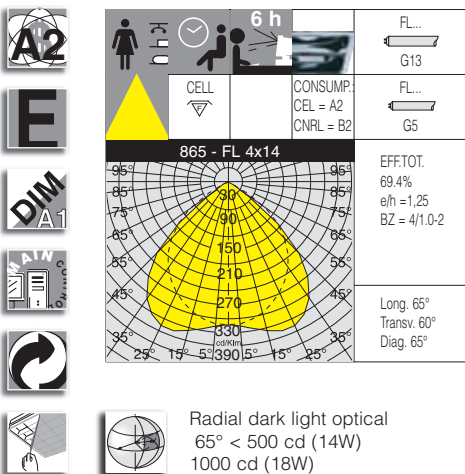
Dark light louvre: double parabolic louvres, in high-gloss 99.85 aluminium, anti-glare and anti-iridescence, very low luminance.

863 Comfort T5 - high-gloss optical 99,85								
		CELL		CELL-E		CELL-D		Lamps (Ta=25°C)
wattage	colour	weight	code	weight	code	weight	code	Kelvin - ølm - Ra
FL 4x14	white	3.90	150710-00	4.50	150710-07	4.00	150710-51	4000K - 1200lm - Ra 1b

Installation: only for contact mounting max 38 mm.

863 Comfort T8 - high-gloss optical 99,85								
		CNRL		CNRL-E		CELL		Lamps (Ta=25°C)
wattage	colour	weight	code	weight	code	weight	code	Kelvin - ølm - Ra
FL 4x18	white	4.80	150715-00	5.40	150715-07	4.00	150715-08	4000K - 1350lm - Ra 1b

Installation: only for contact mounting max 38 mm.



Housing: galvanized steel stove pre-enamelling using white polyester resin.

Dark light louvre: double parabolic louvres, in matt aluminium, anti-glare and anti-iridescence, very low luminance.

865 Comfort T5 - matt optical								
		CELL		CELL-E		CELL-D		Lamps (Ta=25°C)
wattage	colour	weight	code	weight	code	weight	code	Kelvin - ølm - Ra
FL 4x14	white	3.90	150810-00	4.50	150810-07	4.00	150810-51	4000K - 1200lm - Ra 1b

Installation: only for contact mounting max 38 mm.

865 Comfort T8 - matt optical								
		CNRL		CNRL-E		CELL		Lamps (Ta=25°C)
wattage	colour	weight	code	weight	code	weight	code	Kelvin - ølm - Ra - 1b
FL 4x18	white	4.80	150815-00	5.40	150815-07	4.00	150815-08	4000K - 1350lm - Ra 1b

Installation: only for contact mounting max 38 mm.