

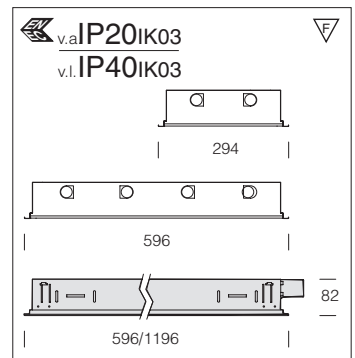
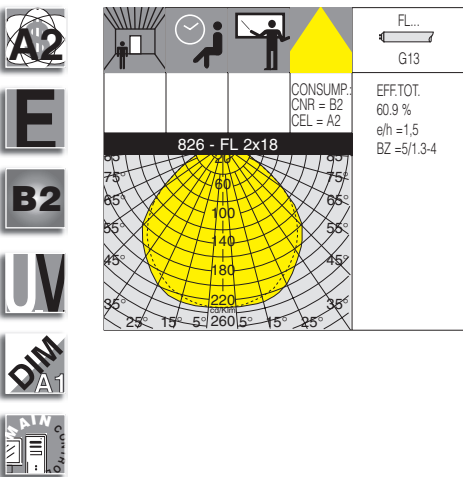
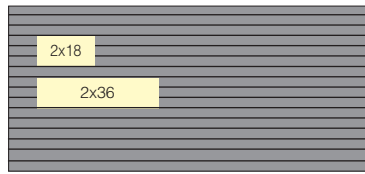
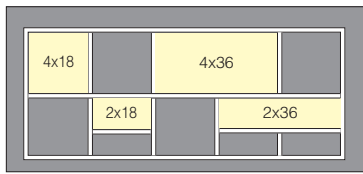
Housing and frame: made of sheet steel.

Diffuser: in opal plexiglass.

Supplied without brackets: for contact mounting directly on the cross T structure. When not contact mounted, see page 30).

825 Comfort - opal diffuser

| | | CNR | | CNR-E | | CEL | | CEL-E | | SHOOKS | PANELS |
|----------------|--------|--------|-----------|--------|-----------|--------|-----------|--------|-----------|--------|--------|
| wattage | colour | weight | code | weight | code | weight | code | weight | code | | |
| FL 2x18 | white | 3.60 | 156520-00 | | | 3.40 | 156520-08 | | | • | |
| FL 2x36 | white | 6.30 | 156521-00 | 6.90 | 156521-07 | 5.60 | 156521-08 | 6.20 | 156521-09 | • | |
| FL 4x18 | white | 6.20 | 156522-00 | 6.80 | 156522-07 | 5.40 | 156522-08 | 5.90 | 156522-09 | • | • |
| FL 4x36 | white | 11.00 | 156523-00 | 11.60 | 156523-07 | 9.50 | 156523-08 | 10.10 | 156523-09 | • | • |



Housing and frame: made of sheet steel.

Diffuser: in opal plexiglass.

Supplied without brackets: for contact mounting directly on the cross T structure. When not contact mounted, see page 30).

826 Comfort - prismatic diffuser

| | | CNR | | CNR-E | | CEL | | CEL-E | | SHOOKS | PANELS |
|----------------|--------|--------|-----------|--------|-----------|--------|-----------|--------|-----------|--------|--------|
| wattage | colour | weight | code | weight | code | weight | code | weight | code | | |
| FL 2x18 | white | 3.60 | 156620-00 | | | 3.40 | 156620-08 | | | • | |
| FL 2x36 | white | 6.30 | 156621-00 | 6.90 | 156621-07 | 5.60 | 156621-08 | 6.20 | 156621-09 | • | |
| FL 4x18 | white | 6.20 | 156622-00 | 6.80 | 156622-07 | 5.40 | 156622-08 | 5.90 | 156622-09 | • | • |
| FL 4x36 | white | 11.00 | 156623-00 | 11.60 | 156623-07 | 9.50 | 156623-08 | 10.10 | 156623-09 | • | • |