

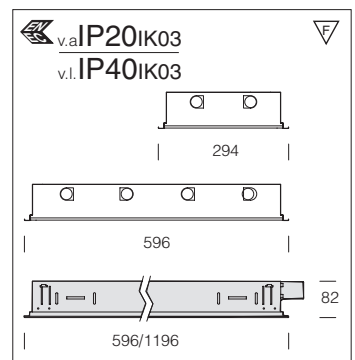
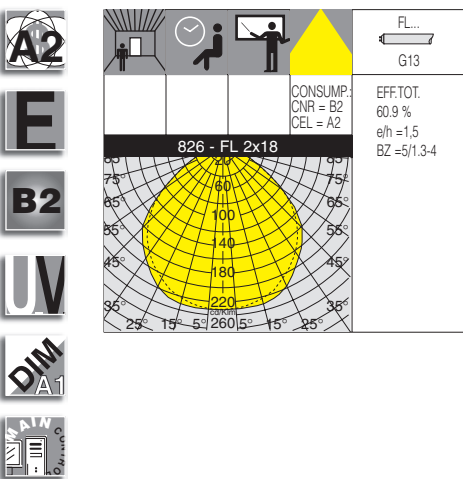
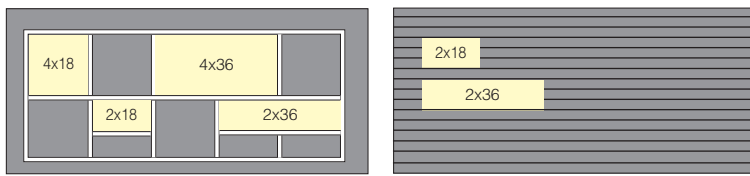
Housing and frame: made of sheet steel.

Diffuser: in opal plexiglass.

Supplied without brackets: for contact mounting directly on the cross T structure. When not contact mounted, see page 30).

825 Comfort - opal diffuser

		CNR		CNR-E		CEL		CEL-E		SHOOKS	PANELS
wattage	colour	weight	code	weight	code	weight	code	weight	code		
FL 2x18	white	3.60	156520-00			3.40	156520-08			•	
FL 2x36	white	6.30	156521-00	6.90	156521-07	5.60	156521-08	6.20	156521-09	•	
FL 4x18	white	6.20	156522-00	6.80	156522-07	5.40	156522-08	5.90	156522-09	•	•
FL 4x36	white	11.00	156523-00	11.60	156523-07	9.50	156523-08	10.10	156523-09	•	•



Housing and frame: made of sheet steel.

Diffuser: in opal plexiglass.

Supplied without brackets: for contact mounting directly on the cross T structure. When not contact mounted, see page 30).

826 Comfort - prismatic diffuser

		CNR		CNR-E		CEL		CEL-E		SHOOKS	PANELS
wattage	colour	weight	code	weight	code	weight	code	weight	code		
FL 2x18	white	3.60	156620-00			3.40	156620-08			•	
FL 2x36	white	6.30	156621-00	6.90	156621-07	5.60	156621-08	6.20	156621-09	•	
FL 4x18	white	6.20	156622-00	6.80	156622-07	5.40	156622-08	5.90	156622-09	•	•
FL 4x36	white	11.00	156623-00	11.60	156623-07	9.50	156623-08	10.10	156623-09	•	•