

**Housing/Frame:** die cast aluminium.

**Reflector:** pressed and polished aluminium. Adjustable in direct light version.

**Diffuser:** 4 mm thick toughened glass, thermal shock and impact resistant.

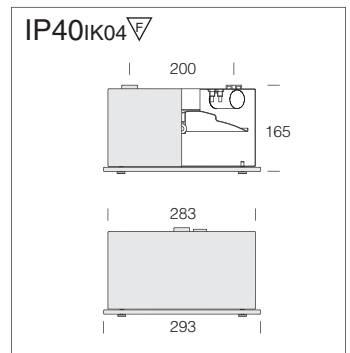
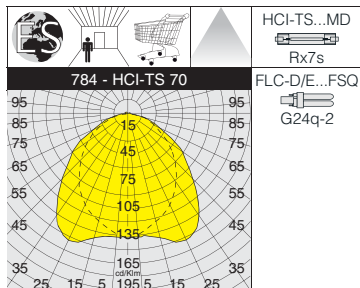
**Painting:** in various phases. The first phase involves immersion in grey epoxy cataphoresis, withstands corrosion and salt mists. The second phase applies an undercoat to stabilise against UV rays and the last phase provides a pressed metal finish using silver acrylic paint.

1294 Cilindro ceiling fixtures					
wattage	colour	CNRL		Lamps (Ta=25°C)	
		weight	code	Kelvin - ølm - Ra	
CDM-T 35	s. silver	3.80	420460-00	3000K - 3300lm - Ra 1b	
CDM-T 70	s. silver	4.80	420461-00	3000K - 6600lm - Ra 1b	
FLC 1x26 T	s. silver	3.80	420462-00	4000K - 1800lm - Ra 1b	

Supplied with ceiling connection.

1299 Cilindro suspension					
wattage	colour	CNRL		Lamps (Ta=25°C)	
		weight	code	Kelvin - ølm - Ra	
CDM-T 35	s. silver	3.80	420470-00	3000K - 3300lm - Ra 1b	
CDM-T 70	s. silver	4.80	420471-00	3000K - 6600lm - Ra 1b	
FLC 1x26 T	s. silver	3.80	420472-00	4000K - 1800lm - Ra 1b	

Supplied with suspension cable and wire.



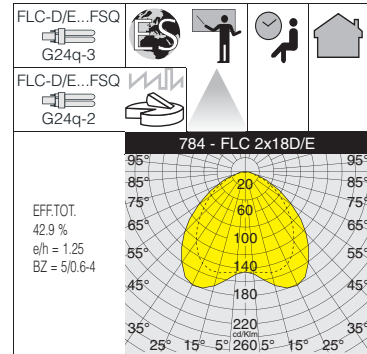
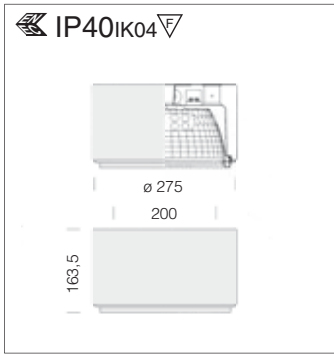
**Housing:** cylindrical, made of turned sheet aluminium.

**Diffuser:** glass.

**Coating:** with UV-stabilised white polyester powder.



784 Compact with glass						
wattage	colour	CNRL		CELL		Lamps (Ta=25°C)
		weight	code	weight	code	Kelvin - ølm - Ra
HCI-TS 70	white	3,60	156326-00			4200K - 6500lm - Ra 1a
FLC 2x26 D/E	white			3,60	156327-00	4000K - 1800lm - Ra 1b



**Reflector art 784:** polycarbonate, metallized with high grade aluminium powders through a C.V.D. hard-vacuum process for greater luminous efficiency and better light control, with high-emission prismatic faceting.

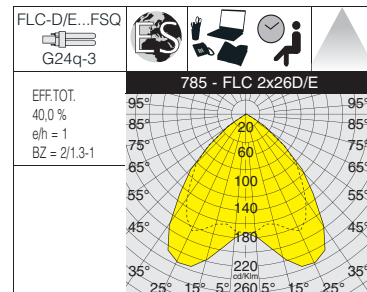
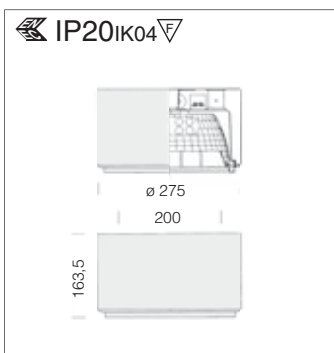
**Diffuser:** flat diffuser in clear, frosted, anti-glare plexiglass.

Art. 782



**Reflector art 782:** polycarbonate, metallized with high grade aluminium powders through a C.V.D. hard-vacuum process for greater luminous efficiency and better light control, with high-emission prismatic faceting.

782 Compact					
		CELL		Lamps (Ta=25°C)	
wattage	colour	weight	code	Kelvin - olm - Ra	
FLC 2x26D/E	white	2.00	156303-08	4000K - 1800lm - Ra 1b	



**Reflector:** polycarbonate, metallized with high grade aluminium powders through a C.V.D. hard-vacuum process for greater luminous efficiency and better light control, with high-emission prismatic faceting.

**Louvre:** low luminance louvre with 3 spokes for glare control.



785 Compact					
		CELL		Lamps (Ta=25°C)	
wattage	colour	weight	code	Kelvin - olm - Ra	
FLC 2x26D/E	white	2.40	156333-08	4000K - 1800lm - Ra 1b	