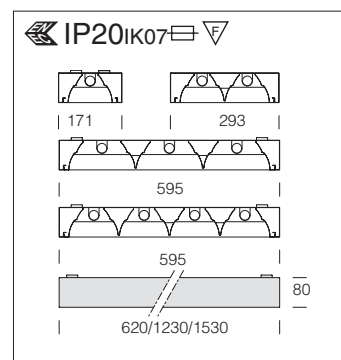
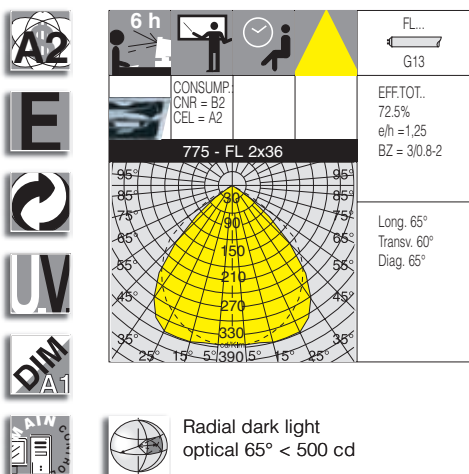


**Dark light optics:** double parabolic louvres, in high-gloss plated aluminium 99.99. Anti-glare and anti-iridescence, very low luminance. PVD treatment to increase light efficiency.

**773 Comfort - high-gloss optical 99,99**

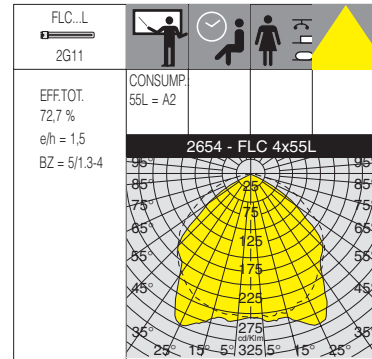
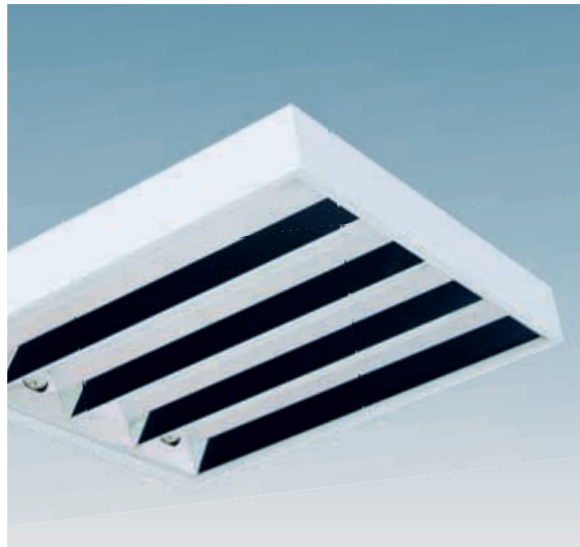
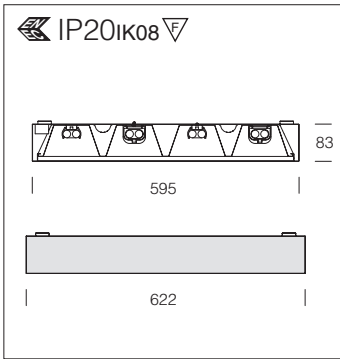
		CNR-F		CEL-F		CNR-F-E		CEL-F-E	
wattage	colour	weight	code	weight	code	weight	code	weight	code
FL 1x36	white	3.70	141001-00	3.50	141001-08	4.20	141001-07	4.00	141001-09
FL 1x58	white	4.60	141002-00	4.10	141002-08	5.20	141002-07	4.70	141002-09
FL 2x18	white	3.00	141003-00	2.80	141003-08	3.60	141003-07		
FL 2x36	white	5.40	141004-00	4.60	141004-08	6.00	141004-07	5.20	141004-09
FL 2x58	white	6.90	141005-00	5.50	141005-08	7.50	141005-07	6.00	141005-09
FL 3x36	white	8.60	141006-00	7.60	141006-08	9.10	141006-07	8.20	141006-09
FL 4x18	white	5.20	141007-00	4.40	141007-08	5.80	141007-07	5.00	141007-09
FL 4x36	white	9.30	141008-00	7.80	141008-08	9.90	141008-07	8.30	141008-09



**Dark light optics:** double parabolic louvres, in matt plated aluminium 99.99. Anti-glare and anti-iridescence, very low luminance. PVD treatment to increase light efficiency.

**775 Comfort - matt optical 99,99**

		CNR-F		CEL-F		CNR-F-E		CEL-F-E	
wattage	colour	weight	code	weight	code	weight	code	weight	code
FL 1x36	white	3.70	141101-00	3.50	141101-08	4.20	141101-07	4.00	141101-09
FL 1x58	white	4.60	141102-00	4.10	141102-08	5.20	141102-07	4.70	141102-09
FL 2x18	white	3.00	141103-00	2.80	141103-08	3.60	141103-07		
FL 2x36	white	5.40	141104-00	4.60	141104-08	6.00	141104-07	5.20	141104-09
FL 2x58	white	6.90	141105-00	5.50	141105-08	7.50	141105-07	6.00	141105-09
FL 3x36	white	8.60	141106-00	7.60	141106-08	9.10	141106-07	8.20	141106-09
FL 4x18	white	5.20	141107-00	4.40	141107-08	5.80	141107-07	5.00	141107-09
FL 4x36	white	9.30	141108-00	7.80	141108-08	9.90	141108-07	8.30	141108-09



**Housing:** made of pressed sheet steel

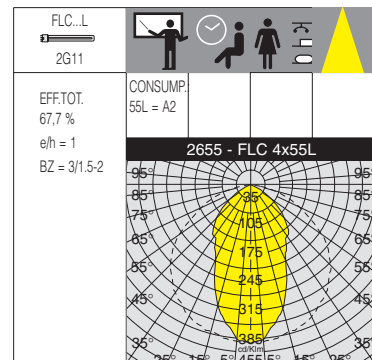
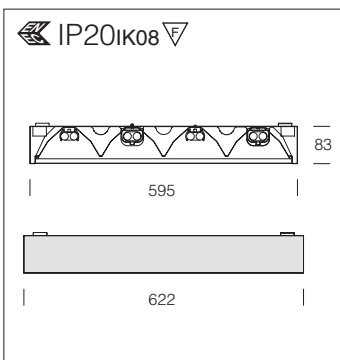
**Optical system:** Parabolic, made of high-gloss anti-reflection and anti-iridescence, high performance aluminium.

**Coating:** With UV-stabilised white epoxy-polyester powder.

**Electric gear:** 230-240V/50-60Hz power supply with electronic ballast. Hard wire, cross section 0.50 sqmm, and high-temperature resistant (up to 90°C) PVC-HT sheath, in accordance with CEI 20-20 standards. 2P + T terminal block (maximum allowed lead cross section 2.5 sqmm).

**The ceiling fixture is ideal for installation in large shopping areas as well as industrial or sports facilities.**

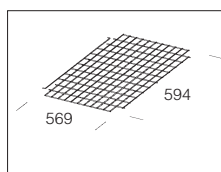
2654 Evoluzione - wide beam						
		CELL		CELL-D		Lamps (Ta=25°C)
wattage	colour	weight	code	weight	code	Kelvin - olm - Ra
FLC 4x55L	white	6.80	125742-00		125742-51	4000K - 4800lm - Ra 1b



**Narrow beam optical:** Parabolic, made of high-gloss anti-reflection and anti-iridescence, high performance aluminium.

2655 Evoluzione - narrow beam						
		CELL		CELL-D		Lamps (Ta=25°C)
wattage	colour	weight	code	weight	code	Kelvin - olm - Ra
FLC 4x55L	white	6.80	125743-00		125743-51	4000K - 4800lm - Ra 1b

Recommended for premises over 4 metres high, or where intensive light is required.



**acc. 202 protection guard**  
0.50 | 994656-00  
Made of steel rod. For protection against impact.