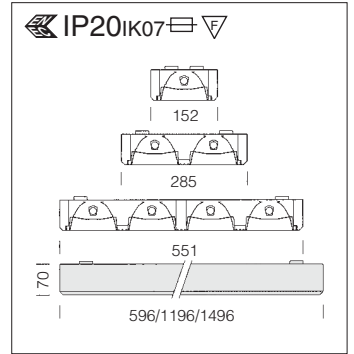


WATTAGE	CONSUMPTION
traditional T5	lamps supplied
35W	32W

The fixtures with T5 lamps are supplied as standard with energy saving lamps.

Radial dark light optical
65° < 1000 cd

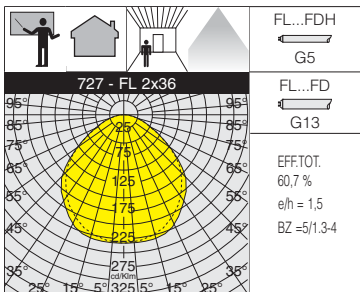


Housing: Made of sheet steel.
Coating: With UV-stabilised white polyester powder.
Dark light optics: double parabolic louvres, in high-gloss plated aluminium 99.99. Anti-glare and anti-iridescence, very low luminance.

752 Supercomfort T5 - high-gloss 99,99

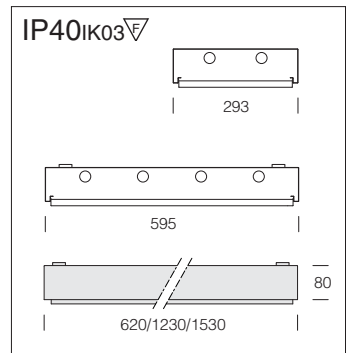
wattage	colour	CELL-F		CELL-E		CELL-D		Lamps (Ta=25°C) Kelvin - ølm - Ra
		weight	code	weight	code	weight	code	
FL 1x28	white	3.60	143523-00	4.00	143523-07	3.60	143523-12	4000K - 2650lm - Ra 1b
FL 1x35	white	4.80	143526-00	5.30	143526-07	4.80	143526-12	4000K - 3350lm - Ra 1b
FL 2x14	white	2.70	143521-00			3.10	143521-12	4000K - 1250lm - Ra 1b
FL 2x28	white	5.40	143524-00	6.00	143524-07	5.40	143524-12	4000K - 2650lm - Ra 1b
FL 2x35	white	6.40	143527-00	6.80	143527-07	6.40	143527-12	4000K - 3350lm - Ra 1b
FL 4x14	white	5.20	143522-00	5.60	143522-07	5.20	143522-12	4000K - 1250lm - Ra 1b
FL 4x28	white	6.00	143525-00	6.40	143525-07	6.00	143525-12	4000K - 2650lm - Ra 1b

On request: versions with DIMDIG (digital dimming).



WATTAGE	CONSUMPTION
traditional T5	lamps supplied
49W	45W

The fixtures with T5 lamps are supplied as standard with energy saving lamps.



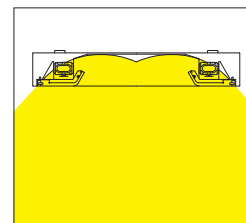
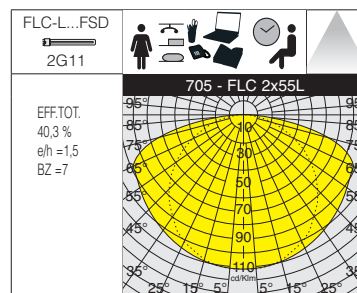
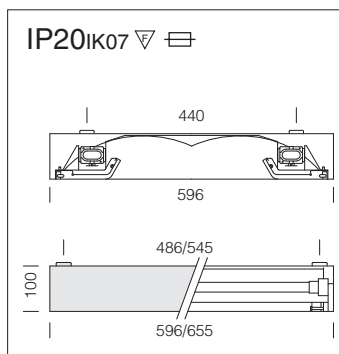
Housing: Made of sheet steel.
Diffuser: anti-glare frosted plexi-glass.
On request: polycarbonate diffuser.

727 Comfort T5 - frosted diffuser

wattage	colour	CELL		CELL-E		Lamps (Ta=25°C) Kelvin - ølm - Ra
		weight	code	weight	code	
FL 2x14	white	3.80	142035-00	4.50	142035-09	4000K - 1250lm - Ra 1b
FL 2x28	white	6.50	142036-00	7.30	142036-09	4000K - 2650lm - Ra 1b
FL 2x49	white	6.50	142037-00	9.50	142037-09	4000K - 4350lm - Ra 1b
FL 4x14	white	5.20	142038-00	7.60	142038-09	4000K - 1250lm - Ra 1b
FL 4x28	white	11.20	142039-00	12.00	142039-09	4000K - 2650lm - Ra 1b

727 Comfort T8 - frosted diffuser

wattage	colour	CEL		CEL-E		CEL-D	
		weight	code	weight	code	weight	code
FL 2x18	white	3.50	142030-08	4.30	142030-09		
FL 2x36	white	5.70	142031-08	7.10	142031-09	5.70	142031-12
FL 2x58	white	6.90	142032-08	8.60	142032-09	6.90	142032-12
FL 4x18	white	5.40	142033-08	6.80	142033-09	5.40	142033-12
FL 4x36	white	9.70	142034-08	11.80	142034-09	9.70	142034-12



Housing: in sheet steel

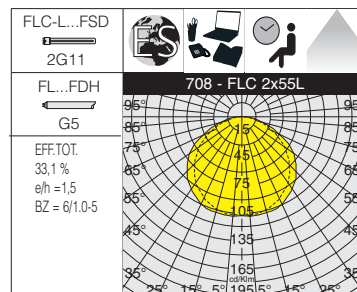
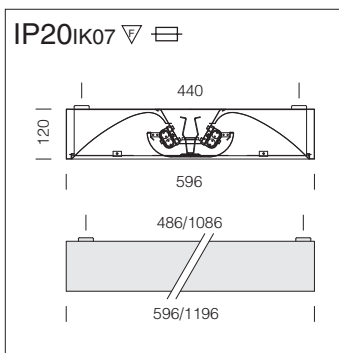
Coating: in white, UV-stabilised polyester powder.

Reflector: anti-glare white aluminium.

Diffuser: with micro-perforated steel plate, complete with anti-glare opal diffuser.



705 Airono						
		CELL-F		CELL-E		Lamps (Ta=25°C)
wattage	colour	weight	code	weight	code	Kelvin - ølm - Ra
FLC 2x55L	white	6.10	143111-00	7.20	143111-07	4000K - 4800lm - Ra1b



WATTAGE	CONSUMPTION
traditional T5	lamps supplied
54W	50W

The fixtures with T5 lampes are supplied as standard with energy saving lampes.

Housing: in sheet steel

Reflector: in white parabolic aluminium.

Diffuser: semi-sphere in micro-perforated sheet metal, complete with anti-glare opal plate.



708 Gabbiano									
		CELL-F		CNRL-F		CELL-E		CNRLF-E	
wattage	colour	weight	code	weight	code	weight	code	weight	code
FLC 2x55L	white	7.20	143021-00			7.50	143021-07		
FL 2x54	white	6.50	143024-00			7.00	143024-07		
FLC 2x36L	white			8.20	143020-00			8.50	143020-07

On request: versions with DIM 1-10V wiring (dimnable 1-10V), DIMDIG (digital dimming).