



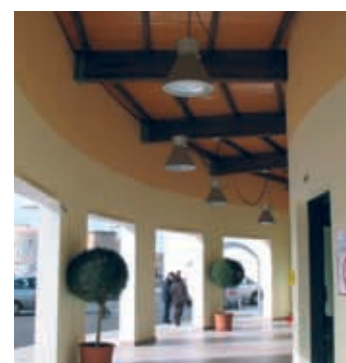
Housing / Frame: die-cast aluminium.

Diffuser: tempered glass, thickness 5 mm, resistant to impacts and thermal shock (UNI EN 12150-1/2001 tests).

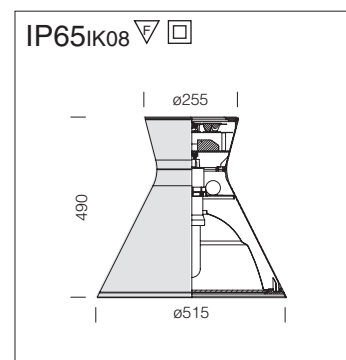
Coating: multistage process. Stage 1: grey epoxy cationic electrocoating, resistant to corrosion and briny mist. Stage 2: UV-stabilising priming. Stage 3: sandblasted silver acrylic finishing.

Wiring: 230/50 Hz power supply. Double insulation, flexible wire, 1 sq.mm. cross-section.

Equipment: the frame remains attached to the housing by means of steel safety straps. Wiring positioned on a removable plate.



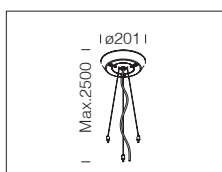
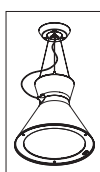
CDO-TT
E40



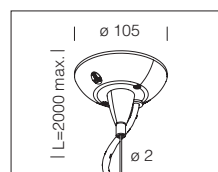
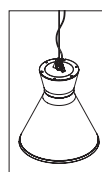
Reflector: in 99.85 aluminium, anodically oxidized and polished. Supplied plate with 4 led RGB at the top.

3166 Iride - direct/indirect light with LED RGB				
wattage	colour	CLD CNRL+CTL		Lamps (Ta=25°C)
		weight	code	Kelvin - ølm - Ra
CDO-TT 150 + LED RGB	s. silver	11.50	326570-00	2800K - 13500lm - Ra 1b

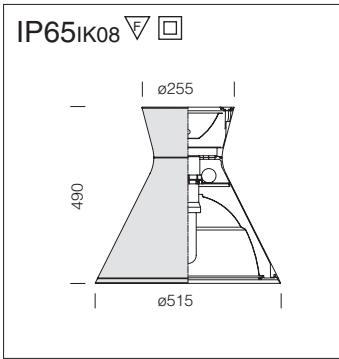
For suspension mounting use acc. 380 or 329. Minimum distance from the ceiling: 60cm.



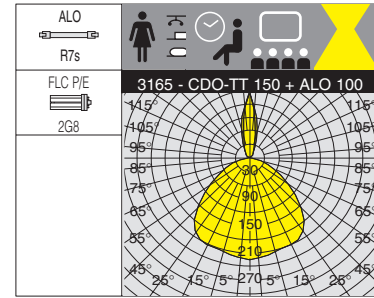
acc. 380 suspension	
s. silver	326500-00
Die-cast aluminium. Supplied with three steel cables. To be used with direct/ indirect light fixtures.	



acc. 2508 suspension electrified	
arg. met	994010-00
Suspension unit including steel cable with millimetre adjustment device and supply cable. (3x1,5 mmq). Max. load: 30 Kg. Cm 200.	

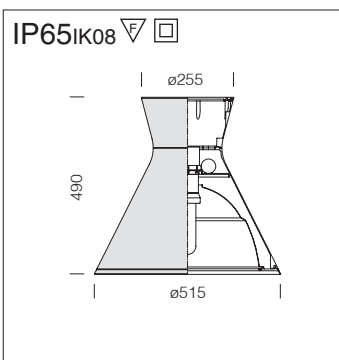


Direct/indirect light reflector: in 99.85 aluminium, anodically oxidized and polished. Wide beam aluminium at the top.

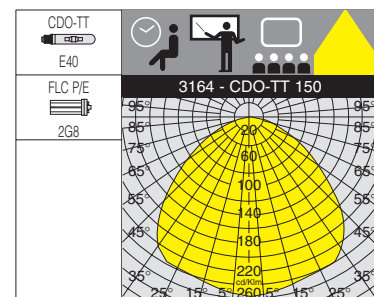


3165 Iride - direct / indirect wide beam light						
		CNRL		CELL		Lamps (Ta=25°C)
wattage	colour	weight	code	weight	code	Kelvin - ølm - Ra
CDO-TT 150 + ALO100	s. silver	11.50	326561-00			2800K - 13500lm - Ra 1b + 3000K - 1600lm
FLC 120 P/E + FLC 20EL	s. silver			10.00	326562-00	4000K - 9000lm - Ra 1b

For suspension mounting use acc. 380 or 329.



Wide beam reflector: in 99.85 aluminium, anodically oxidized and polished.



3164 Iride - direct wide beam light						
		CNRL		CELL		Lamps (Ta=25°C)
wattage	colour	weight	code	weight	code	Kelvin - ølm - Ra
CDO-TT 150	s. silver	11.50	326551-00			2800K - 13500lm - Ra 1b
FLC 120 P/E	s. silver			10.00	326552-00	4000K - 9000lm - Ra 1b

For suspension mounting use acc. 380, 329 or 2508.

acc. 329 suspension connection	
s. silver	998060-00
Die-cast aluminium. Art. 3164 is required for suspension mounting.	

