

Housing: in die-cast aluminium, with wide cooling fins.

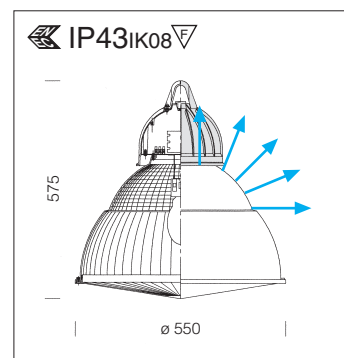
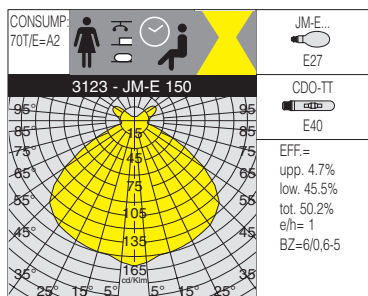
Diffuser: all in clear polycarbonate with anti-glare silking. Prismatic faceting inside for better light control. Smooth dust-proof and impact resistant finish outside, vandal-resistant and V2 self-extinguishing, UV-stabilised with a non-scratch and finger mark-proof.

Coating: multistage process. Stage 1: grey epoxy cationic electrocoating, resistant to corrosion and briny mist. Stage 2: UV-stabilising priming. Stage 3: sandblasted metallised silver acrylic finishing.

Electric gear: 230V/50Hz power supply and heat protection. Flexible wire terminated with quick-connect clamps in admiralty brass, with fibreglass braid, 1 sqmm. 2P+T terminal block with maximum allowed lead cross section of 2,5 sqmm.

3122 Ghost - painted reflector				
		CNRL		Lamps (Ta=25°C)
wattage	colour	weight	code	Kelvin - ølm - Ra
CDO-TT 150	s. silver	6.00	323135-00	2800K - 13500lm - Ra 1b
JM-E 150	s. silver	6.00	323137-00	3000K - 12900lm - Ra 1b

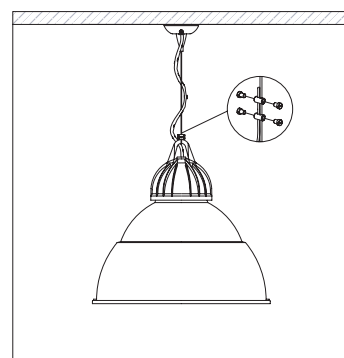
Diffuser metallised inside, painted outside.

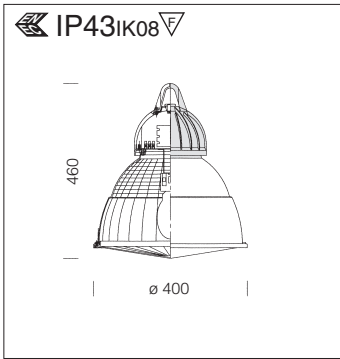


Diffuser: in clear polycarbonate and micro-satin finish. Metallized on the inside with a non-scratch and finger mark-proof CVD high vacuum process, using high grade aluminium powder.

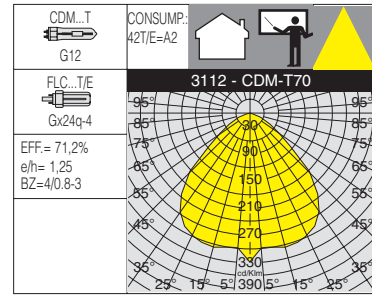
3123 Ghost - direct / indirect light				
		CNRL		Lamps (Ta=25°C)
wattage	colour	weight	code	Kelvin - ølm - Ra
CDO-TT 150	s. silver	6.00	323145-00	2800K - 13500lm - Ra 1b
JM-E 150	s. silver	6.00	323147-00	3000K - 12900lm - Ra 1b

The diffuser is metallized inside and painted on half of the outside, for direct/indirect light emission. On request: FLC 42 T/E version without diffuser (for greater luminous efficiency).



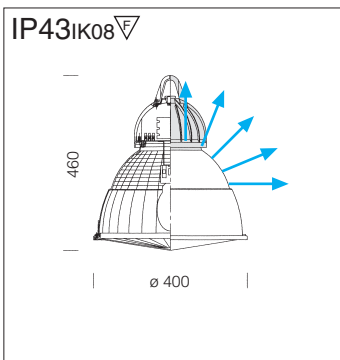


Diffuser: all in clear polycarbonate with anti-glare silking. Prismatic faceting inside for better light control. Smooth dust-proof and impact resistant finish outside.

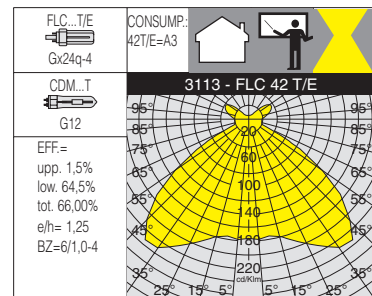


3112 Ghost - painted reflector						
		CELL		CNRL		Lamps (Ta=25°C)
wattage	colour	weight	code	weight	code	Kelvin - ølm - Ra
FLC 42 T/E	m. silver	4.80	323121-00			4000K - 3200lm - Ra 1b
CDM-T 70	m. silver			4.80	323124-00	3000K - 6600lm - Ra 1b

Lamp recommended in S wiring version: 23W "longlife" electronic.



Diffuser: in clear polycarbonate and micro-satin finish. Metallized on the inside with a non-scratch and finger mark-proof CVD high vacuum process, using high grade aluminium powder.

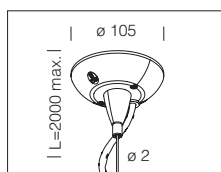


3113 Ghost - direct / indirect light						
		CELL		CNRL		Lamps (Ta=25°C)
wattage	colour	weight	code	weight	code	Kelvin - ølm - Ra
FLC 42 T/E	m. silver	4.80	323151-00			4000K - 3200lm - Ra 1b
CDM-T 70	m. silver			4.80	323154-00	3000K - 6600lm - Ra 1b

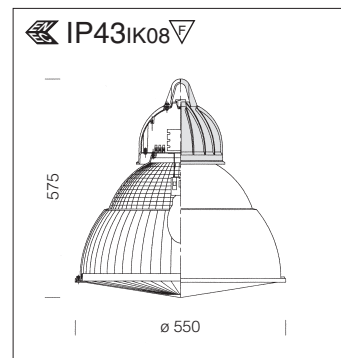
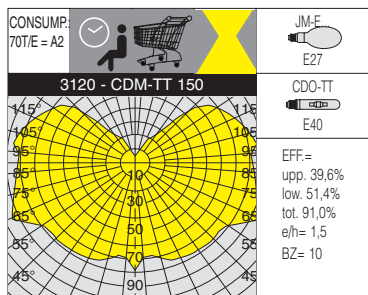
Lamp recommended in S wiring version: 23W "longlife" electronic.

Powered suspension:

REMEMBER: the screw anchors of the base and the surface where it is mounted must be able to support loads.



acc. 2508 electrified suspension
m. silver | 994010-00
Suspension unit including steel cable with millimetre adjustment device and supply cable. (3x1,5 mmq).
Max. load: 30 Kg. Cm 200.

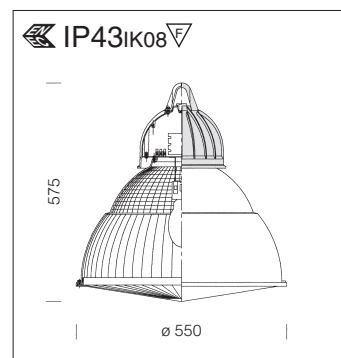
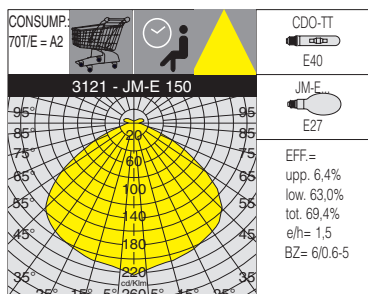


Housing: in die-cast aluminium, with wide cooling fins.

Diffuser: all in clear polycarbonate with anti-glare silking. Prismatic faceting inside for better light control.

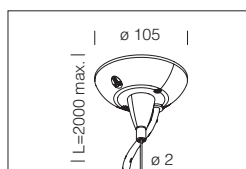
Electric gear: 230V/50Hz power supply and heat protection. Flexible wire terminated with quick-connect clamps in admiralty brass, with fibreglass braid, 1 sqmm. 2P+T terminal block with maximum allowed lead cross section of 2,5 sqmm.

3120 Ghost - silked diffuser				
		CNRL		Lamps (Ta=25°C)
wattage	colour	weight	code	Kelvin - ølm - Ra
CDO-TT 150	s. silver	6.00	322935-00	2800K - 1350lm - Ra 1b
JM-E 150	s. silver	6.00	322937-00	3200K - 12900lm - Ra 1b



Diffuser: all in clear polycarbonate with anti-glare silking. Prismatic faceting inside for better light control and metallized with a C.V.D. high vacuum process using high grade aluminium powders with a non-scratch and finger mark-proof.

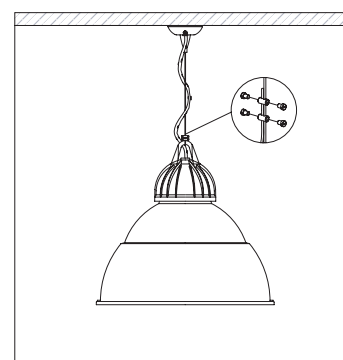
3121 Ghost - metallic internal diffuser				
		CNRL		Lamps (Ta=25°C)
wattage	colour	weight	code	Kelvin - ølm - Ra
CDO-TT 150	s. silver	6.00	323035-00	2800K - 13500lm - Ra 1b
JM-E 150	s. silver	6.00	323037-00	3200K - 12900lm - Ra 1b

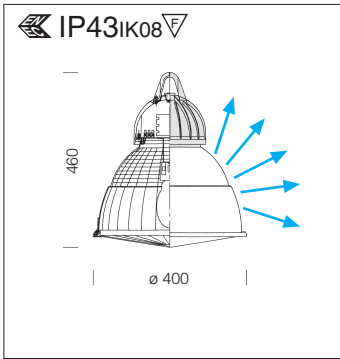


acc. 2508 electrified suspension
m. silver 994010-00

Suspension unit including steel cable with millimetre adjustment device and supply cable. (3x1,5 mmq).
Max. load: 30 Kg. Cm 200.

Powered suspension:
REMEMBER: the screw anchors of the base and the surface where it is mounted must be able to support loads.





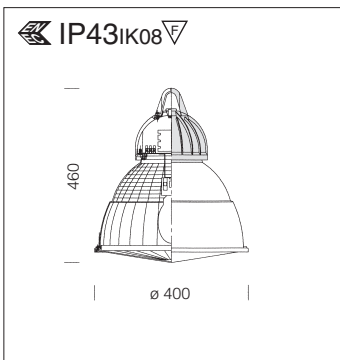
FLC...EL E27	MAX 100 E27	HOUSE	PERSON	A2
FLC...T/E Gx24q-4	CONSUMP.: 42T/E = A2	SHOPPING CART		
CDM...T G12	3110 - CDM-T 70			
EFF.= upp. 39,6% low. 43,8% tot. 83,4% e/h= 1,5 BZ=10				

Diffuser: all in clear polycarbonate with anti-glare silking. Prismatic faceting inside for better light control. Smooth dust-proof and impact resistant finish outside, vandal-resistant and V2 self-extinguishing, UV-stabilised with a non-scratch and finger mark-proof.

3110 Ghost - silked diffuser

		S		CELL		CNRL		Lamps (Ta=25°C)	
wattage	colour	weight	code	weight	code	weight	code	Kelvin - ølm - Ra	
FLC 23EL	m. silver	4.00	322923-00						
MAX 100									
FLC 42T/E	m. silver			4.80	322921-00			4000K - 3200lm - Ra 1b	
CDM-T 70	m. silver					4.80	322924-00	3000K - 6600lm - Ra 1b	

Lamp recommended in S wiring version: 23W "longlife" electronic.



FLC...EL E27	MAX 100 E27	PL-R GR14	PERSON	A2
FLC...T/E Gx24q-4	CONSUMP.: 42T/E = A2	SHOPPING CART	HOUSE	
CDM...T G12	3111 - CDM-T 70			
EFF.= upp. 0,1% low. 71,1% tot. 71,2% e/h= 1,25 BZ=4/0.8-3				

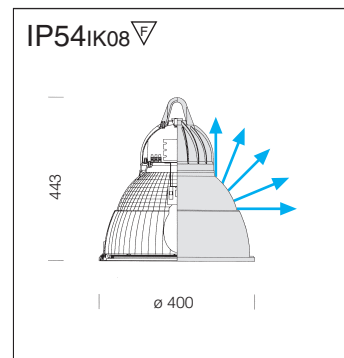
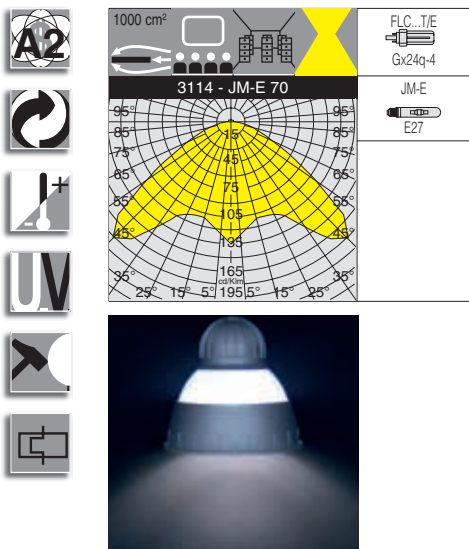
Diffuser: all in clear polycarbonate with anti-glare silking. Prismatic faceting inside for better light control and metallized with a C.V.D. high vacuum process using high grade aluminium powders with a non-scratch and finger mark-proof.

3111 Ghost - metallic internal diffuser

		S		CELL		CNRL		Lamps (Ta=25°C)	
wattage	colour	weight	code	weight	code	weight	code	Kelvin - ølm - Ra	
FLC 23EL	m. silver	4.00	323023-00						
MAX 100									
FLC 42T/E	m. silver			4.80	323021-00			4000K - 3200lm - Ra 1b	
CDM-T 70	m. silver					4.80	323024-00	3000K - 6600lm - Ra 1b	

Lamp recommended in S wiring version: 23W "longlife" electronic.



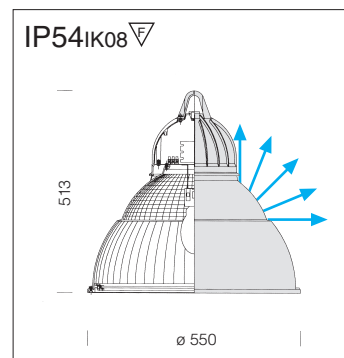
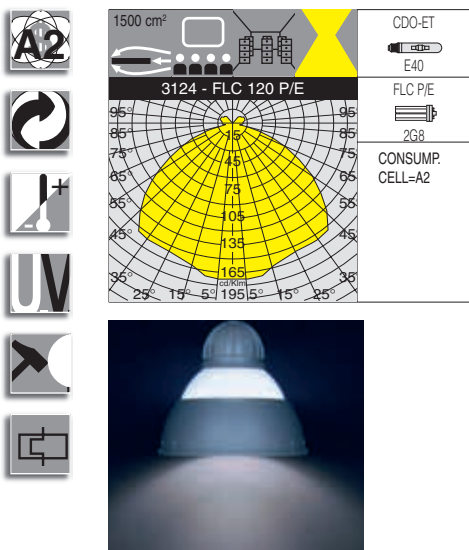


Housing: in die-cast aluminium, with wide cooling fins.

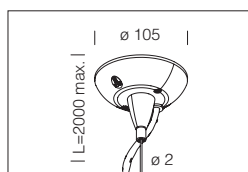
Diffuser: all in clear polycarbonate with anti-glare silking. Prismatic faceting inside for better light control. Includes a reflector that is metallized with a C.V.D. high vacuum process using high grade aluminium powders with a non-scratch and finger mark-proof. With glass anti-glare.

Electric gear: 230V/50Hz power supply and heat protection.

3114 Ghost IP54 - direct / indirect light						
		CELL		CNRL		Lamps (Ta=25°C)
wattage	colour	weight	code	weight	code	Kelvin - ølm - Ra
FLC 42 T/E	m. silver	4.80	323161-00			4000K - 3200lm - Ra 1b
JM-E 70	m. silver			4.80	323164-00	3200K - 5300lm - Ra 1b

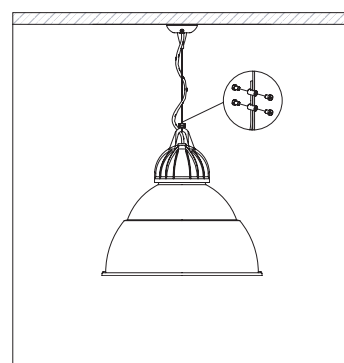


3124 Ghost IP54 - direct / indirect light						
		CNRL		CELL		Lamps (Ta=25°C)
wattage	colour	weight	code	weight	code	Kelvin - ølm - Ra
CDO-ET 150	s. silver	6.00	323175-00			2800K - 13500lm - Ra 1b
FLC120-P/E	s. silver			6.00	323178-00	4000K - 9000lm - Ra 1b



acc. 2508 electrified suspension
 m. silver 994010-00
 Suspension unit including steel cable with millimetre adjustment device and supply cable. (3x1,5 mmq).
 Max. load: 30 Kg. Cm 200.

Powered suspension:
 REMEMBER: the screw anchors of the base and the surface where it is mounted must be able to support loads.



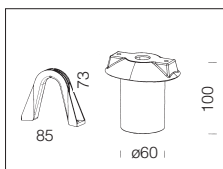
Housing/Frame: in die-cast aluminium.

Diffuser: impact and vandal-resistant, V2 self-extinguishing, UV-stabilised crystal polycarbonate. With flat tempered glass.

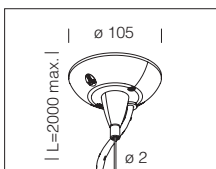
Reflector: aluminium inside.

Coating: in several stages. First stage: grey epoxy cationic electro-coating, resistant to corrosive and saline environments. Second stage: UV stabilising priming; final stage: rough finish with frosted silver or graphite paint.

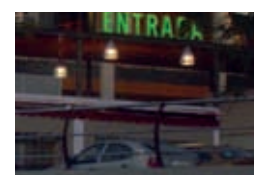
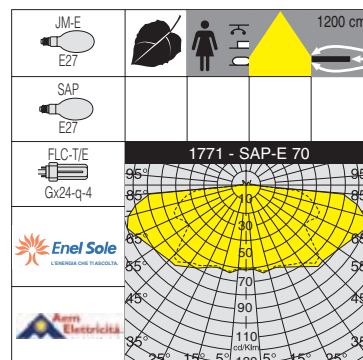
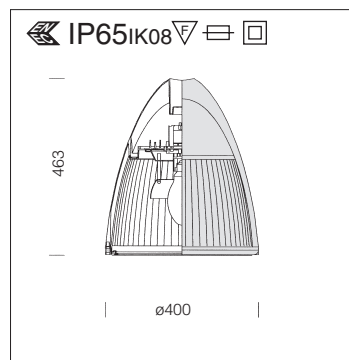
Electric gear: 230V/50Hz power supply with heat protection.



acc. 307 suspension connection	
s. silver	993921
graphite	993928
Made of aluminium supply with connection. To use for suspension.	



acc. 2508 electrified suspension	
m. silver	994010-00
Suspension unit including steel cable with millimetre adjustment device and supply cable. (3x1,5 mmq). Max. load: 30 Kg. Cm 200.	



1771 Lanterna 2 - with diffuser						
		CNRL-F		CELL-F		Lamps (Ta=25°C)
wattage	colour	weight	code	weight	code	Kelvin - ølm - Ra
SAP-E 70	s. silver	5.80	424120-00			2000K - 5600lm - Ra 4
JM-E 100	s. silver	5.90	424122-00			3200K - 9000lm - Ra 2A
SAP-E 70	graphite	5.80	424125-00			2000K - 5600lm - Ra 4
JM-E 100	graphite	6.00	424127-00			3200K - 9000lm - Ra 2A
FLC 42 T/E	s. silver			4.50	424123-00	4000K - 3200lm - Ra 1b
FLC 42 T/E	graphite			4.50	424128-00	