

Bialystok - Santa Maria Assunta Cathedral (Poland)



Cruiser "Aurora" - St. Petersburg (Russia)



Housing: die-cast aluminium with cooling fins.

Diffuser: tempered glass 5 mm thick, resistant to impact and thermal shock (UNI7142 tests, British standard 3193).

Coating: graphite grey polyester powder coating, resistant to corrosive and saline environments.

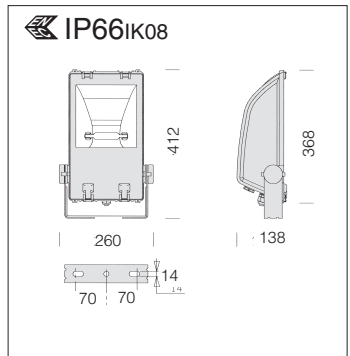
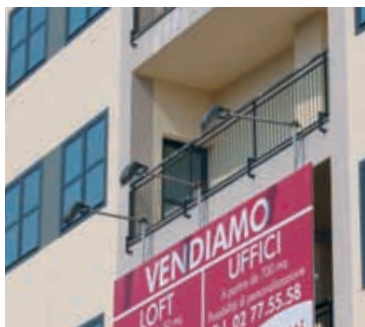
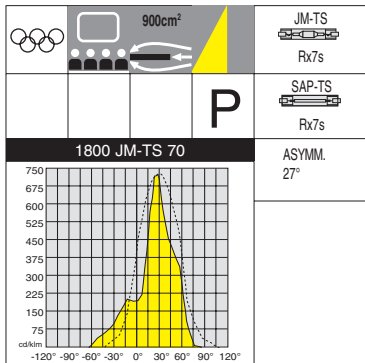
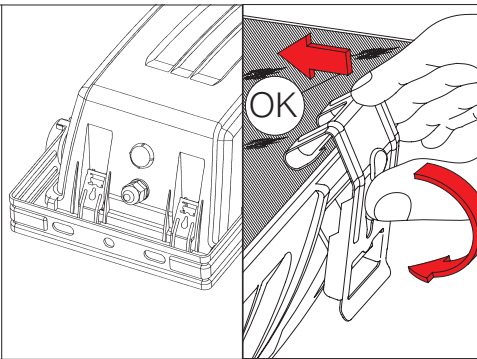
Electric gear: 230V/50Hz power supply with heat protection. Flexible wire terminated with admiralty brass clamps, fibreglass braid insulation, cross section: 1sqmm.(up to 400W). 2P terminal block (maximum allowed lead cross-section: 4sqmm).

Equipment: silicone rubber gasket. Fibreglass nylon cable gland, Ø 1/2 gas. Ø 1/2inch gas. Corrosion and gripping resistant retained stainless steel screws. Steel bracket with protractor scale. The front frame opens on hinges (no tools required) and stays attached to the fixture housing. Equipped with air circulation valve. Latches: AISI 301 stainless steel. Supplied with knife switch in double insulation (without art. 1800).



Anti-condensation system with exhaust valve ensuring air circulation without altering the degree of protection, for longer useful life of the components.

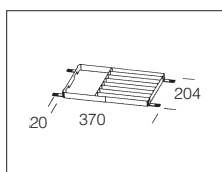
The front frame stays attached to the housing for easy maintenance.



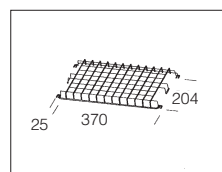
Reflector: asymmetric; made of 3µ thick 99.85 anodised and polished hammered aluminium.

1800 Rodio 1 - asymmetric

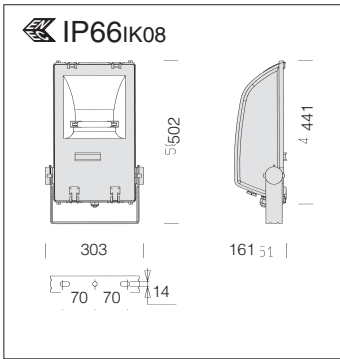
wattage	colour	CNRL		Lamps (Ta=25°C)
		weight	code	Kelvin - ølm - Ra
JM-TS 70	graphite	5.50	414510-00	4000K - 5700lm - Ra 1b
SAP-TS 70	graphite	5.50	414511-00	2000K - 6800lm - Ra 4



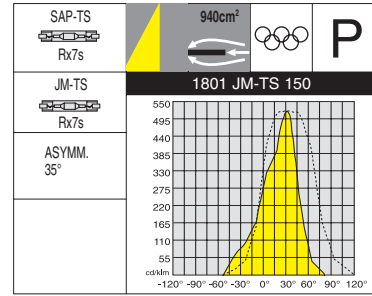
acc. 346 louvre
black 997917-00
Made of steel. To reduce glare and improve light control. **For art. 1800.**



acc. 349 protection guard
black 997920-00
Plastic-coated steel rod. For protection against impact. **For art. 1800.**

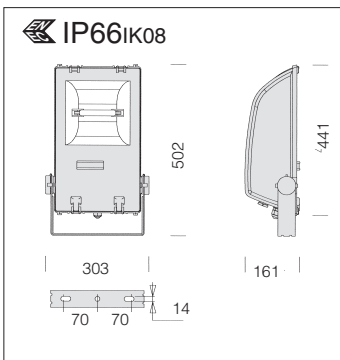


Reflector: asymmetric; made of 3μ thick 99.85 anodised and polished hammered aluminium.

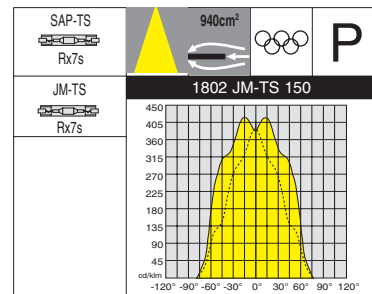


1801 Rodio 2 - asymmetric						
		CNRL		CNRL double insulation		Lamps (Ta=25°C)
wattage	colour	weight	code	weight	code	Kelvin - ølm - Ra
JM-TS 150	graphite	7.35	414610-00	7.35	414610-14	4200K-12000lm - Ra 1b
SAP-TS 150	graphite	7.35	414611-00	7.35	414611-14	2000K - 15000lm - Ra 4

Double insulation version supplied with knife switch.



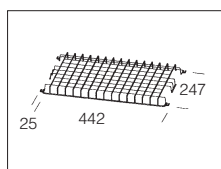
Reflector: symmetric; made of 3μ thick 99.85 anodised and polished hammered aluminium.



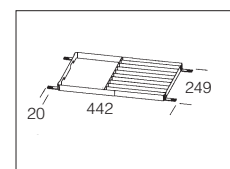
1802 Rodio 2 - symmetric						
		CNRL		CNRL double insulation		Lamps (Ta=25°C)
wattage	colour	weight	code	weight	code	Kelvin - ølm - Ra
JM-TS 150	graphite	7.35	414620-00	7.35	414620-14	4200K-12000lm - Ra 1b
SAP-TS 150	graphite	7.35	414621-00	7.35	414621-14	2000K - 15000lm - Ra 4

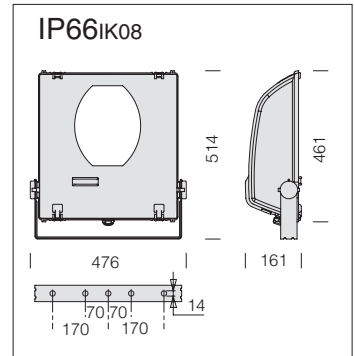
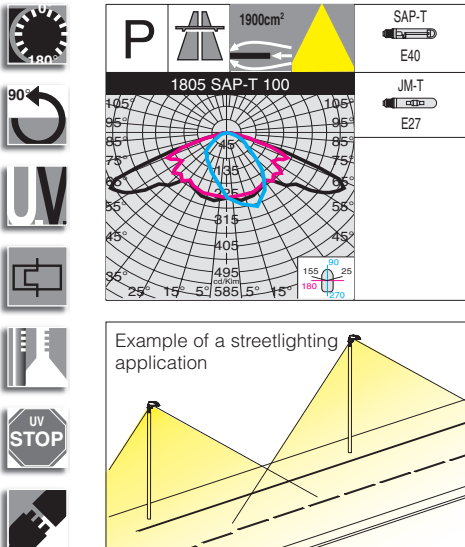
Double insulation version supplied with knife switch.

acc. 350 protection guard	
black	997921-00
Plastic-coated steel rod. For protection against impact. For art. 1801/1802.	



acc. 347 louvre	
black	997918-00
Made of steel. To reduce glare and improve light control. For art. 1801/2.	





Reflector: light pollution preventing optic unit, pressed 99.85 aluminium, anodically oxidized and polished, supplied with light flux recovery device.

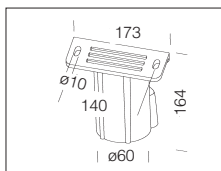
1805 Rodio 3 - streetlight optics

wattage	colour	CNRL		CNRL double insulation		Lamps (Ta=25°C)
		weight	code	weight	code	Kelvin - ølm - Ra
SAP-T 150	graphite	10.50	414720-00	10.50	414720-14	2000K - 15000lm - Ra 4
SAP-T 250	graphite	11.50	414721-00	11.50	414721-14	2000K - 28000lm - Ra 4
JM-T 150	graphite	10.50	414722-00	10.50	414722-14	4000K - 14000lm - Ra 1b

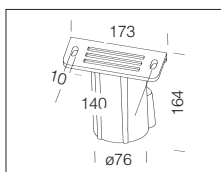
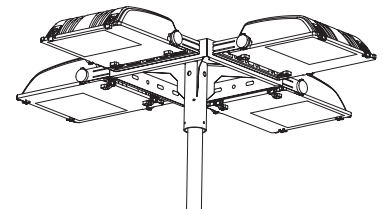
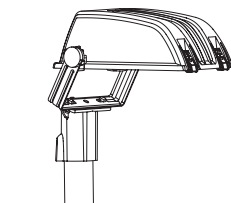
Double insulation version supplied with knife switch.



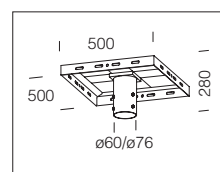
Version with street lighting fixture suitable for pole/head connection using acc. 333 or 334.



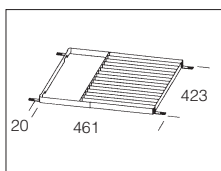
acc. 333 pole attach. ø60
graphite | 997915-00
Made of aluminium. To be used to apply the fixture on a ø 60 pole.



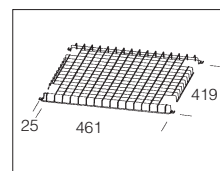
acc. 334 pole attach. ø76
graphite | 997916-00
Made of aluminium. To be used to apply the fixture on a ø 76 pole.



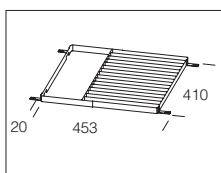
acc. 164 pole attachment
galvanized | 998097-00
Made in galvanized steel. To be used to apply on a pole up to 4 fixture ø60/ø76.



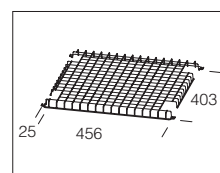
acc. 348 louvre
black | 997919-00
Made of steel. To reduce glare and improve light control. **For art. 1803/4. Double insulation**



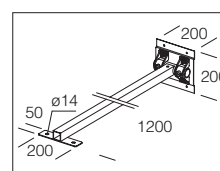
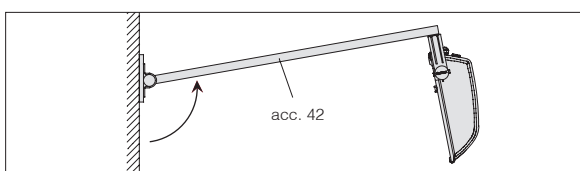
acc. 351 protection guard
black | 997922-00
Plastic-coated steel rod. For protection against impact. **For art. 1803/1804 double insulation**



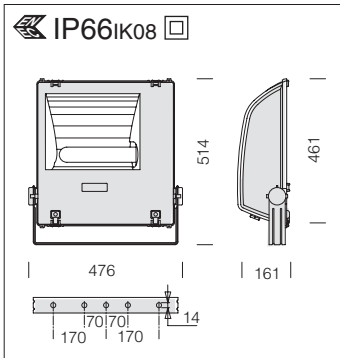
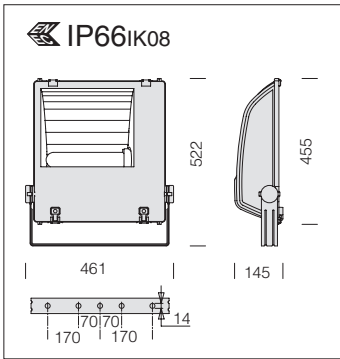
acc. 404 louvre
black | 997924-00
Made of steel. To reduce glare and improve light control. **For art. 1803/4.**



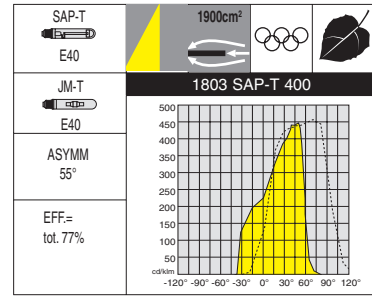
acc. 403 protection guard
black | 997923-00
Plastic-coated steel rod. For protection against impact. **For art. 1803/4.**



acc. 42 adjustable-angle arm
black | 995504-00
Tropicalized steel painted by cationic electrocoating. **For art. Rodio.**

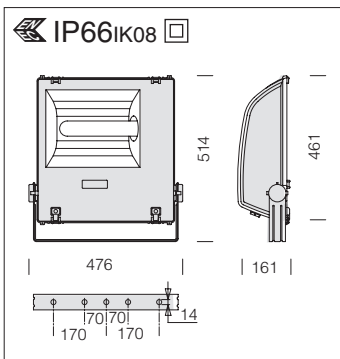
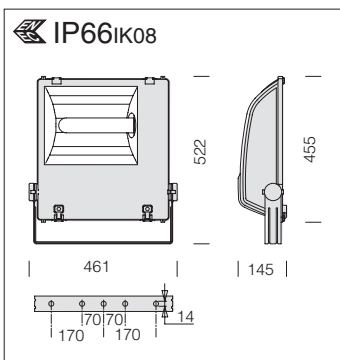


Reflector: asymmetric 55° (efficiency 77%) made of 3μ thick 99.85 anodised, polished and hammered aluminium.

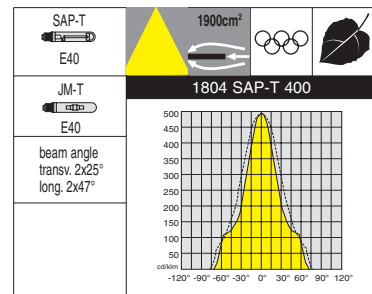


1803 Rodio 3 - asymmetric						
		CNRL		CNRL double insulation		Lamps (Ta=25°C)
wattage	colour	weight	code	weight	code	Kelvin - ølm - Ra
SAP-T 150	graphite	10.50	414715-00	10.50	414710-14	2000K - 15000lm - Ra 4
SAP-T 250	graphite	11.50	414716-00	11.50	414711-14	2000K - 28000lm - Ra 4
SAP-T 400	graphite	13.20	414717-00	13.20	414712-14	2000K - 48000lm - Ra 4
JM-T 250	graphite	10.60	414718-00	10.60	414713-14	4500K - 20500lm - Ra 2b
JM-T 400	graphite	11.30	414719-00	11.30	414714-14	4500K - 35000lm - Ra 2b

Double insulation version supplied with knife switch.



Reflector: symmetric made of 3μ thick 99.85 anodised, polished and hammered aluminium.



1804 Rodio 3 - symmetric						
		CNRL		CNRL double insulation		Lamps (Ta=25°C)
wattage	colour	weight	code	weight	code	Kelvin - ølm - Ra
SAP-T 150	graphite	10.50	414815-00	10.50	414810-14	2000K - 15000lm - Ra 4
SAP-T 250	graphite	11.50	414816-00	11.50	414811-14	2000K - 28000lm - Ra 4
SAP-T 400	graphite	13.20	414817-00	13.20	414812-14	2000K - 48000lm - Ra 4
JM-T 250	graphite	10.60	414818-00	10.60	414813-14	4500K - 20500lm - Ra 2b
JM-T 400	graphite	11.30	414819-00	11.30	414814-14	4500K - 35000lm - Ra 2b

Double insulation version supplied with knife switch.

