



Housing/frame: Die-cast aluminium with cooling fins.

Reflector: Asymmetric, 99.85 µ thick anodised and polished hammered aluminium.

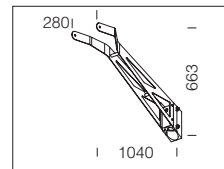
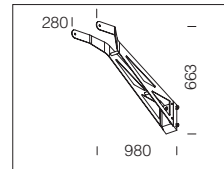
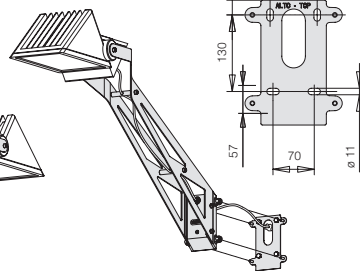
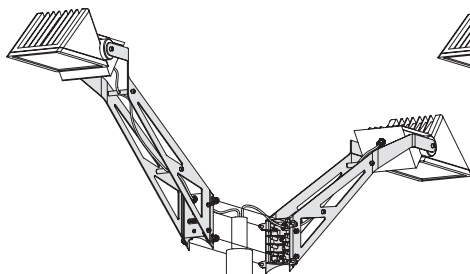
Diffuser: Tempered glass 5 mm thick, resistant to impact and thermal shock (UNI7142 tests, British standard 3193).

Coating: In several stages. First stage: grey epoxy-cationic electro-coating, resistant to corrosive and saline environments (it has passed the UNI ISO 9227 1000 hr test). Second stage: UV stabilising priming; final stage: rough finish with frosted silver acrylic paint.

Wiring: 230V-50Hz power supply with heat protection. Flexible wire terminated with admiralty brass clamps; double insulation; cross-section: 1 sqmm. 2P terminal block (maximum allowed lead cross section 2.5 sqmm).

Agadir with 2 arms acc. 465 on pole

Agadir with arms acc. 464 on wall

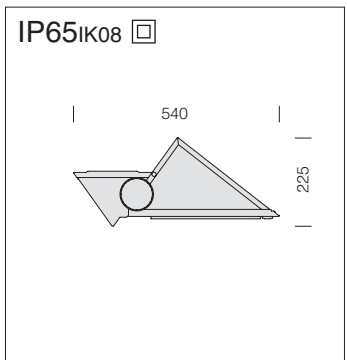
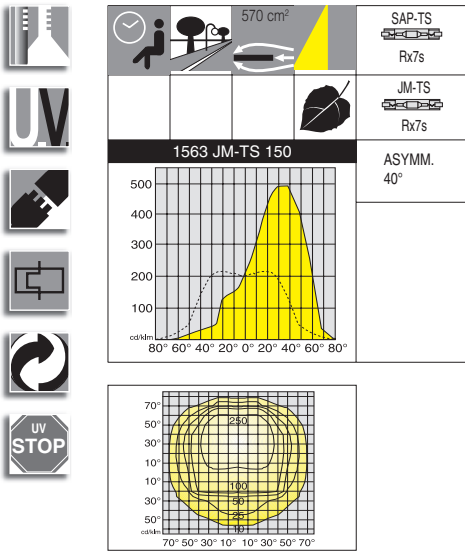


acc. 464 wall mount arm

s. silver	991410-00
Die cast aluminium supports with steel bracket. To wall mount art. 1563.	

acc. 465 pole mount arm

s. silver	991411-00
Die cast aluminium supports with steel bracket. To pole mount both single and twin lamp version of art. 1563.	



1563 Agadir - without louvre

wattage	colour	CNRL		Lamps (Ta=25°C)
		weight	code	Kelvin - ølm - Ra
JM-TS 150	s. silver	9.70	411530-00	4200K - 12000lm - Ra 1b
SAP-TS 150	s. silver	9.70	411531-00	2000K - 15000lm - Ra 4

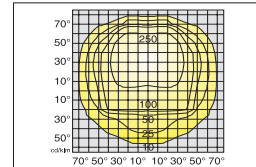
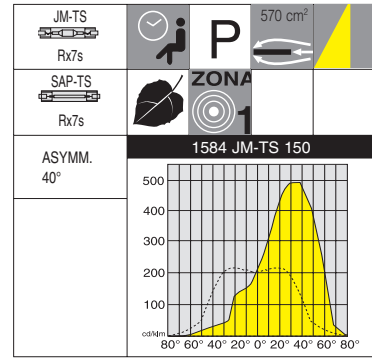
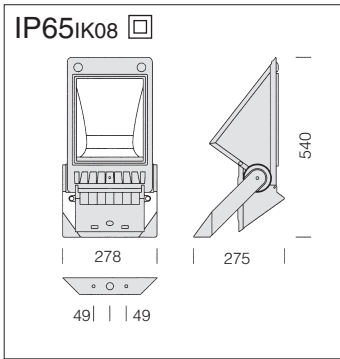
To be used with arms acc. 464/465. On request: version with anti-glare louvre.

acc. 1492 pole ø 102 to be buried in the ground

h = 6500	galvanized	425061-00
To be used to install acc. 464/465 with art. 1563		

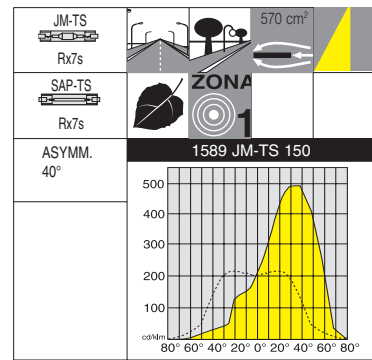
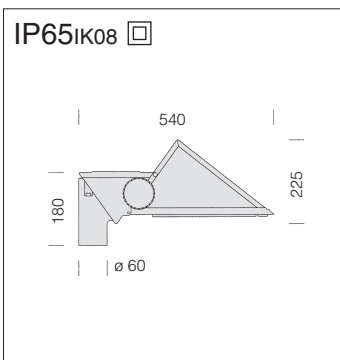
acc. 1494 pole ø 102 with base

h = 6500	galvanized	425071-00
To be used to install acc. 464/465 with art. 1563		



1584 Agadir - without louvre				
		CNRL		Lamps (Ta=25°C)
wattage	colour	weight	code	Kelvin - ølm - Ra
JM-TS 150	s. silver	9.90	421519-00	4200K - 12000lm - Ra 1b
SAP-TS 150	s. silver	9.90	421520-00	2000K - 15000lm - Ra 4

On request: version with anti-glare louvre.



1589 Agadir - with louvre + pole top Ø 60				
		CNRL		Lamps (Ta=25°C)
wattage	colour	weight	code	Kelvin - ølm - Ra
JM-TS 150	s. silver	9.75	421569-00	4200K - 12000lm - Ra 1b
SAP-TS 150	s. silver	9.75	421570-00	2000K - 15000lm - Ra 4

This version includes an anti-glare louvre.

