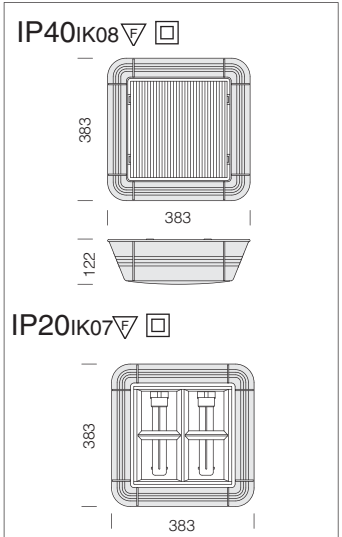


Art. 743



745 Pratica - prismatic diffuser							
		CNRL		CELL		CNRL-E	
wattage	colour	weight	code	weight	code	weight	code
FLC 2x18L	grey	2.10	141820-00	1.60	141820-08	2.80	141820-07

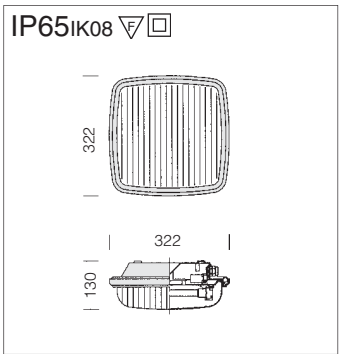
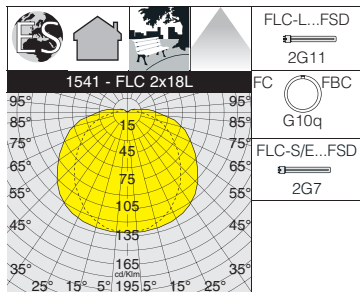
Lamps (Ta=25°C) = 4000K - 1200lm - Ra 1b. Diffuser: flat diffuser in transparent vandal-resistant, V2 self-extinguishing, UV-stabilised polycarbonate, with lengthwise prismatic faceting and internal silking for better glare control.

Housing: in vandal-resistant, self-extinguishing, UV-stabilised, anti-yellowing RAL7035 polycarbonate.

Equipment: electric gear placed in the upper part of the fixture to avoid contact with live parts during maintenance.

743 Pratica - high-gloss louvre 99,85							
		CNRL		CELL		CNRL-E	
wattage	colour	weight	code	weight	code	weight	code
FLC 2x18L	grey	1.90	141810-00	1.40	141810-08	2.60	141810-07

Lamps (Ta=25°C) = 4000K - 1200lm - Ra 1b. Louvre: high gloss 99.85 aluminium louvre, anti-reflection, anti-iridescence, low luminance.

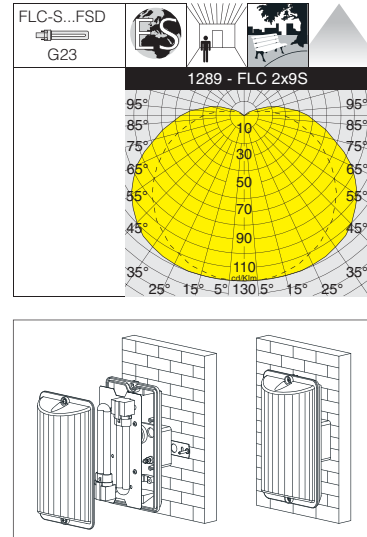
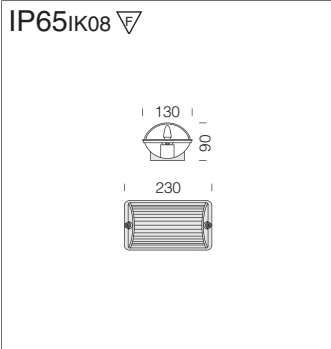


Housing: vandal resistant, self-extinguishing, UV-stabilised anti-yellowing polycarbonate.

Reflector: white polycarbonate.

Diffuser: vandal resistant, V2 self-extinguishing, UV-stabilised anti-glare polycarbonate; dustproof, smooth outside.

1541 Cubo						
		CNRL		CNL-E		Lamps (Ta=25°C)
wattage	colour	weight	code	weight	code	Kelvin - ølm - Ra
FLC 2x18L	grey	1.80	427442-00			4000K - 1200lm - Ra 1b
FC 22	grey	1.80	427444-00			4000K - 1250lm - Ra 1b
FLC 2x11S/E	grey			2.45	427450-00	4000K - 900lm - Ra 1b



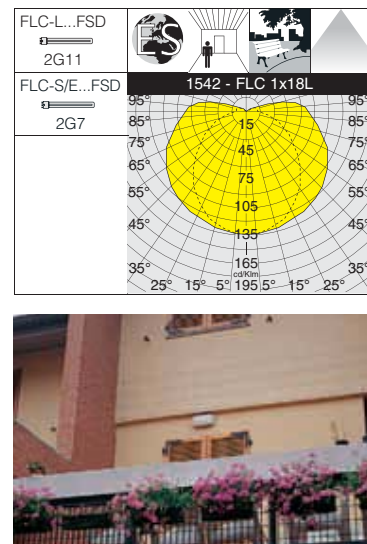
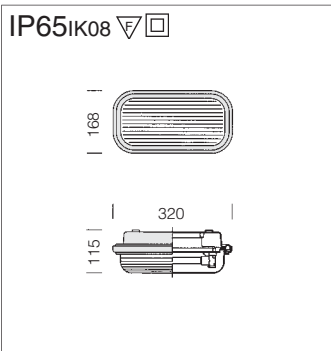
Housing: vandal resistant, self-extinguishing, UV-stabilised anti-yellowing polycarbonate.

Reflector: high-gloss aluminium.

Diffuser: vandal resistant, V2 self-extinguishing, UV-stabilised anti-glare polycarbonate; dustproof, smooth outside.

Equipment: with mounting plate.

1289 Small					
		CNL		Lamps (Ta=25°C)	
wattage	colour	weight	code	Kelvin - olm - Ra	
FLC 2x9S	white	1.00	420850-00	4000K - 600lm - Ra 1b	



Housing: vandal resistant, self-extinguishing, UV-stabilised anti-yellowing polycarbonate.

Reflector: white polycarbonate.

Diffuser: vandal resistant, V2 self-extinguishing, UV-stabilised anti-glare polycarbonate; dustproof.

1542 Orma						
		CNRL		CNL-E		Lamps (Ta=25°C)
wattage	colour	weight	code	weight	code	Kelvin - olm - Ra
FLC 1x18L	grey	1.20	427541-00			4000K - 1200lm - Ra 1b
FLC 1x11S/E	grey			1.85	427550-00	4000K - 1200lm - Ra 1b