



Housing/frame: die-cast aluminium with cooling fins.

Diffuser: tempered glass 5 mm thick, resistant to impact and thermal shock.

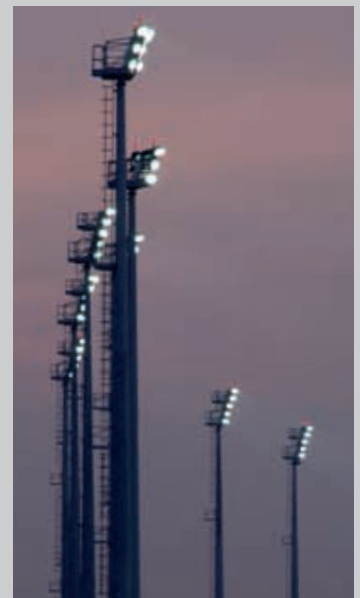
Coating: graphite grey polyester powder coating, resistant to corrosive and saline environments.

Electric gear: wire terminated with admiralty brass clamps, silicone insulation with fibreglass braid, cross section: 2.5 sqmm 2P+T nylon terminal block (maximum allowed lead cross-section: 6 sqmm).

Equipment: supplied with knife switch enabling safe lamp replacement. Steel bracket with protractor scale and aiming visor. Retained steel screws with special anticorrosion and anti-gripping treatment. Igniter box thermally isolated from the housing. With gasket made of silicone platinum material.

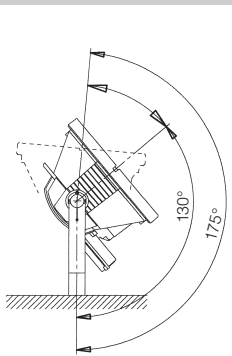


Colour changing version



The lamp compartment opens on hinges, and when open stays attached to the housing for easy maintenance, while the aiming remains unchanged.

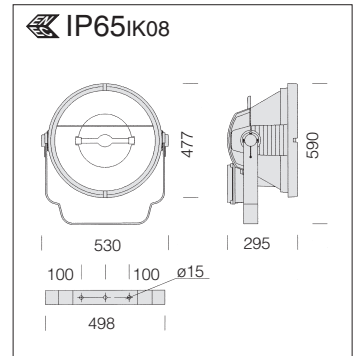
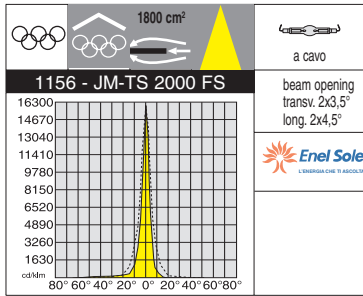
On request: special glass to be used when the floodlight is aimed upwards with a tilt angle between 130° to 175°.



Included in standard supply: fibreglass nylon box with igniter. Fitted for insertion of power supply cable.

Steel bracket with protractor scale. Aiming visor for precise aiming of the floodlight.

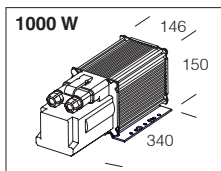




Reflector: narrow beam aluminium 99.85, anodised and polished, with light beam recovering fin.

1156 Forum FS					
		S		CNR hot restrike	
wattage	colour	weight	code	weight	code
MAX-TS 1000 SA	graphite	12.90	412570-00	35.00	412570-99
MAX-TS 2000 SA	graphite	12.90	412573-00	35.00	412573-99

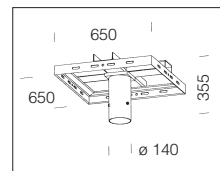
To be used with acc 1176. With standard-supply igniter located inside the special fibreglass nylon box. Hot restrike version supplied with acc. 1176.



acc. 1176 gear CC IP65

JM-TS 1000	997674-00
JM-TS 2000	997673-00

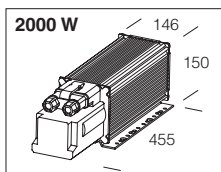
Aluminium box. Contents: ballast and capacitor.



acc. 163 steel pole mount

galvanised	998094-00
------------	-----------

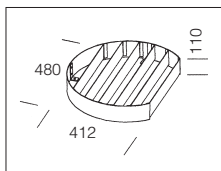
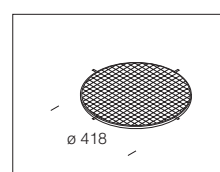
To be used to install up to 4 Forum floodlights on steel poles.



acc. 111 protective guard

black	995723-00
-------	-----------

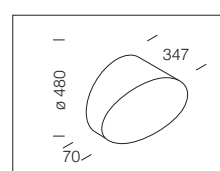
Plastic-coated steel rod. For protection against impact. Can be installed with acc. 112.



acc. 113 baffle louvre

black	995724-00
-------	-----------

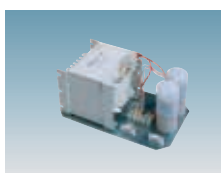
Made of steel. To reduce glare and improve light control.



acc. 112 conveyor

black	995725-00
-------	-----------

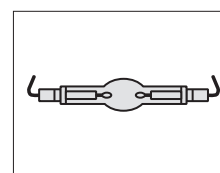
Made of steel. Used for conveying the light beam in a single direction. Can be installed with acc. 111



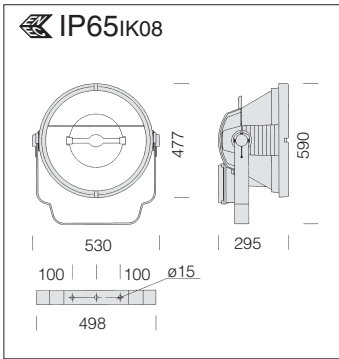
1177 gear tray

JM-TS 1000	997640-16
JM-TS 2000	997642-16

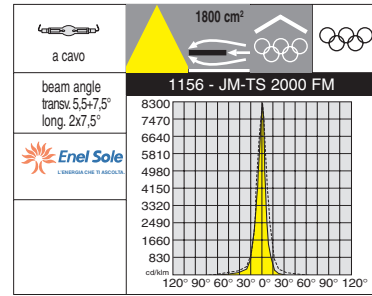
Steel gear tray only, no box. Contents: ballast and capacitor.



Forum lamps		
JM-TS1000/230V	986113-00	4400K-90000lm-Ra 1B
JM-TS2000/400V	986118-00	5900K-200000lm-Ra 1A

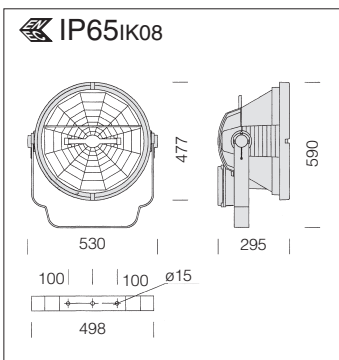


Reflector: medium beam aluminium 99.85, anodised and polished, with light beam recovering fin.

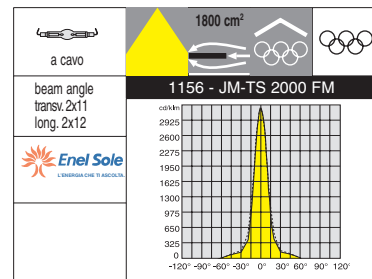


1156 Forum FM					
		S		CNR hot start	
wattage	colour	weight	code	weight	code
MAX-TS 1000 SA	graphite	12.90	412571-00	35.00	412571-99
MAX-TS 2000 SA	graphite	12.90	412574-00	35.00	412574-99

To be used with acc 1176. With standard-supply igniter located inside the special fibreglass nylon box. Hot start version supplied with acc. 1176.



Reflector: wide beam prismatic aluminium 99.85, anodised and polished, with light beam recovering fin.



1156 Forum FL					
		S		CNR hot start	
wattage	colour	weight	code	weight	code
MAX-TS 1000 SA	graphite	12.90	412572-00	35.00	412572-99
MAX-TS 2000 SA	graphite	12.90	412575-00	35.00	412575-99

To be used with acc 1176. With standard-supply igniter located inside the special fibreglass nylon box. Hot start version supplied with acc. 1176.

