



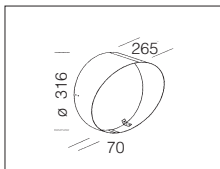
Housing/Frame: die-cast aluminium with cooling fins. Components nylon box.

Diffuser: tempered glass protection surface, 5 mm thick, resistant to impact and thermal shock.

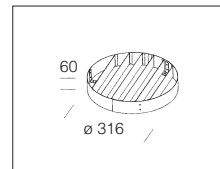
Coating: with grey polyester powder, resistant to corrosive and saline environments.

Electric gear: 230V-50Hz power supply with heat protection. Wire terminated with admiralty brass clamps; double insulation; cross-section: 1 sqmm. 2P terminal block (maximum allowed lead cross section 2.5 sqmm.)

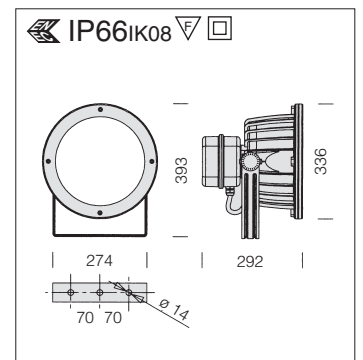
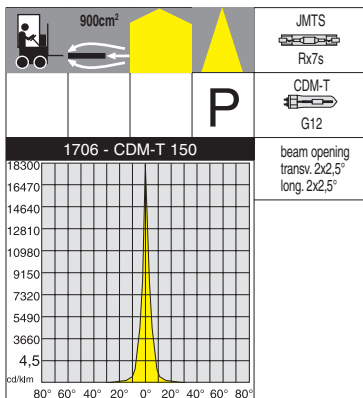
Equipment: silicone rubber gasket. Fibreglass nylon cable gland, Ø 1/2 gas. Retained stainless steel screws. Steel bracket with protractor scale. Hinge-opening front frame.



acc. 147 conveyor
black | 995735-00
Made of steel. Used for conveying the light beam in a single direction. To be used for art. Star/Bario.



acc. 148 baffle louvre
black | 995736-00
Made of steel. To reduce glare and improve light control. To be used for art. Star/Bario.



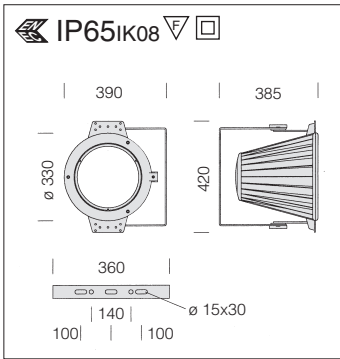
Reflector: aluminium 99.85, anodised 3µ and polished.

Equipment: external gear box fitted outside the lamp to reduce heating and to improve durability.

1705 Bario - wide beam						
		CNRL		CNRL - coloured lamps		Lamps (Ta=25°C)
wattage	colour	weight	code	weight	code	Kelvin - ølm - Ra
JM-TS 150	s. silver	8.00	411660-00			4200K - 12000lm - Ra 1b
JM-TS 150	s. silver			8.00	411660-96	blue
JM-TS 150	s. silver			8.00	411660-97	green
JM-TS 150	s. silver			8.00	411660-98	magenta

1706 Bario - narrow beam								
		CNRL		CNRL - coloured lamps		CELL		Lamps (Ta=25°C)
wattage	colour	weight	code	weight	code	weight	code	Kelvin - ølm - Ra
CDM-T 150	s. silver	8.00	411661-00			7.80	411661-08	3000K - 12700lm - Ra 1b
JM-TS 150	s. silver	8.00	411665-00					4200K - 12000lm - Ra 1b
JM-TS 150	s. silver			8.00	411665-96			blue
JM-TS 150	s. silver			8.00	411665-97			green
JM-TS 150	s. silver			8.00	411665-98			magenta





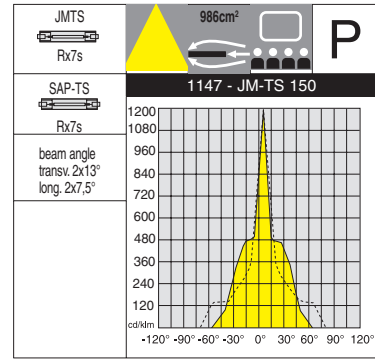
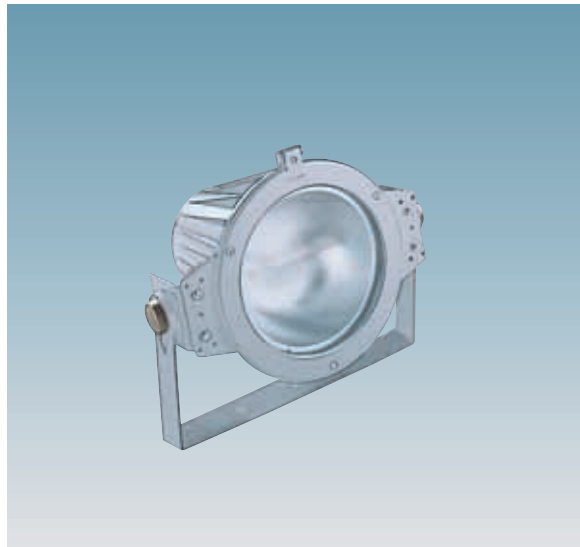
Housing/Frame: die-cast aluminium with cooling fins.

Reflector: wide beam aluminium 99.85, anodised 3µ and polished.

Diffuser: tempered glass protection surface, 5 mm thick, resistant to impact and thermal shock.

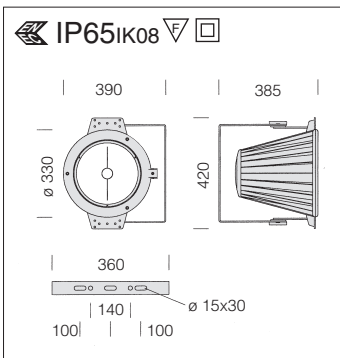
Coating: in several stages. First stage: black epoxy cationic electro-coating after a phosphochromate treatment, resistant to corrosive and saline environments. Second stage: UV stabilising priming; final stage: rough finish with frosted silver acrylic paint.

Electric gear: 230V-50Hz power supply with heat protection. Wire terminated with admiralty brass clamps; double insulation; cross-section: 1 sqmm. 2P terminal block (maximum allowed lead cross section 2.5 sqmm.)

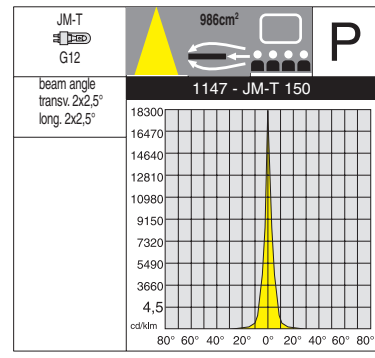
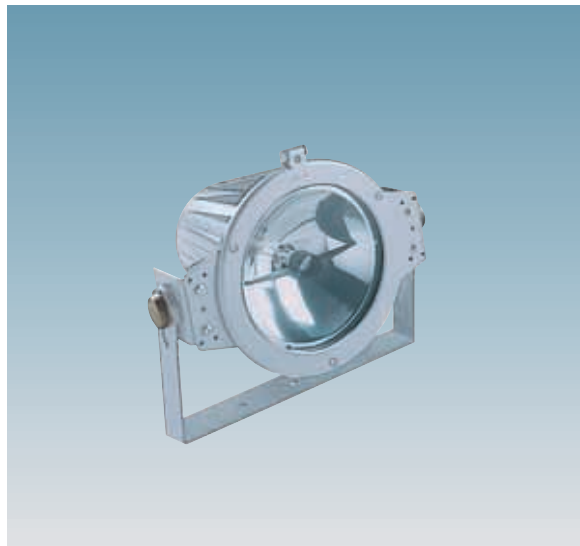


1147 Star - wide beam

		CNRL		CNRL - coloured lamps		Lamps (Ta=25°C)	
wattage	colour	weight	code	weight	code	Kelvin - ølm - Ra	
JM-TS 250	s. silver	12.20	412826-00			3000K - 20000 lm - Ra 1b	
SAP-TS 150	s. silver	12.50	412827-00			2000K - 15000 lm - Ra 4	
JM-TS 150	s. silver	10.70	412828-00			3000K - 11700 lm - Ra 1b	
JM-TS 150	s. silver			12.50	412828-96	blue	
JM-TS 150	s. silver			12.50	412828-97	green	
JM-TS 150	s. silver			10.00	412828-98	magenta	

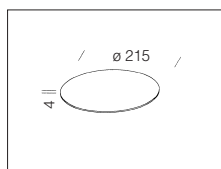


Reflector: narrow beam aluminium 99.85, anodised 3µ and polished.



1147 Star - narrow beam

		CNRL		Lamps (Ta=25°C)	
wattage	colour	weight	code	Kelvin - ølm - Ra	
JM-T 150	s. silver	10.60	412825-00	4200K - 13000lm - Ra 2a	



acc. 134 coloured filter	
blue	990001-00
red	990002-00
green	990003-00
yellow	990004-00

Coloured glass to create special light effects. For JM-T150-1147 version only.