

SQUARE CHASSIS IP44

0301-00-00 -

W  Z  C  NS

QR-CBC 51  
 COOL BEAM  
 NO ALU  
 GX-53  
 INCLUDED  
 MAX. 50W  
 12V



CE IP 44 0.5 m 960°C Ø85 44

SQUARE CHASSIS IP44 230V

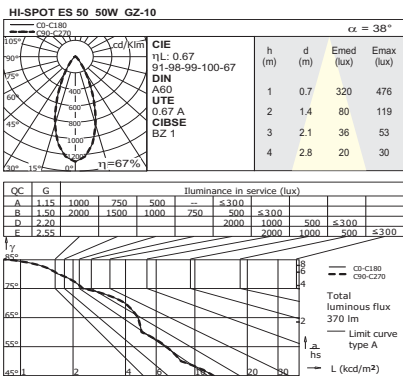
0331-00-00 -

W  Z  C  NS

HI-SPOT ES 50  
 FLUORESC. GU10  
 GZ-10 INCLUDED  
 MAX. 50W  
 230V/240V



CE IP 44 0.5 m 960°C Ø85 44



SQUARE KIT CHASSIS 12V

new

0379-20-00 -

W  Z  C  NS

SPOT + GX-53 + QR-CBC 51 + ELECTR. DIM  
 MAX. 50W | 220/240V | 12V | 50/60 Hz



CE IP 44 0.5 m 960°C Ø85 44

SQUARE KIT CHASSIS GZ 230V

new

0319-00-00 -

W  Z  C  NS

SPOT + GZ-10 + HI-SPOT ES 50 ALU  
 MAX. 50W | 230V | 0.5 m

0319-11 - LAMP - COLOR

SPOT + GZ-10 + FLUORESC. GU10  
 11W | 220V/240V |

0319-85 - LAMP - COLOR

SPOT + GZ-10 + LED 3W | 230V | 50 Hz |

CE IP 44 960°C



LAMP

[31] Con lámpara fluorescente cálida / With warm fluorescent lamp / Avec lampe fluorescente chaude / Con lampada fluorescente calda / Mit warm weissen Fluoreszenz leuchtmittel.

[41] Con lámpara fluorescente fría / With cool fluorescent lamp / Avec lampe fluorescente froide / Con lampada fluorescente fredda / Mit weissen Fluoreszenz leuchtmittel.

[33] Con led blanco cálido / with warm white led / avec led blanc chaude / con led bianco caldo / mit warm weissen led. 3000°K

[43] Con led blanco neutro / with neutral white led / avec led blanc neutre / con led bianco neutro / mit neutral weissen led. 4000°K

[W] Blanco mate / Matt white / Blanc mat / Bianco opaco / Weissmatt. [Z] Aluminio / Aluminium / Aluminium / Alluminio / Aluminium. [C] Cromo / Chrome / Chrome / Cromo / Chrome.

[NS] Niquel satinado / Brushed steel / Nickel satiné / Nichel spazzolato / Nickel satin.