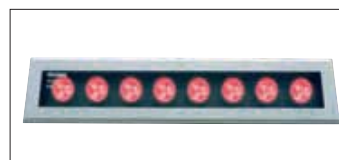
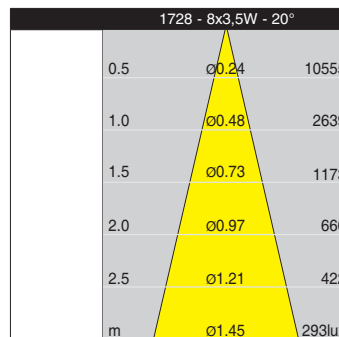
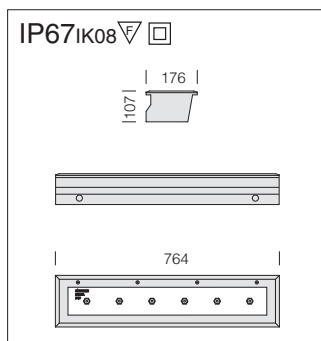


**Housing:** recessed stainless steel version with AISI 316L steel frame.  
**Diffuser:** satin tempered shock, resistant to impacts, thermal shocks and loads (max 2000 kg) 12 mm thick glass.

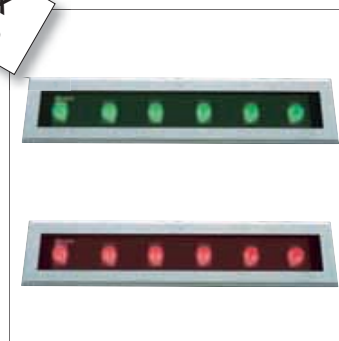
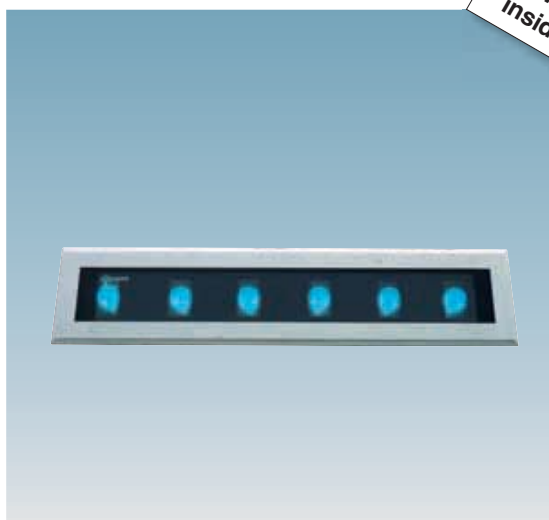


1728 Sicura recessed - Power LED												
wattage (350mA)	colour	CLD CTL		Beam angle	W tot	temperature and load				LED (Ta=25°C)		
		weight	code			Max T. on glass		max load kg	can be walked on	can bear vehicle loads	K	ølm 350 mA
						ta 25°	ta 15°					
3,5W LED white	s. steel	8,70	414475-00	20°	28W	40°	30°	2000	OK	OK	4000	2096lm
3,5W LED blue	s. steel	8,70	414475-71	20°	28W	40°	30°	2000	OK	OK		564lm
3,3W LED red	s. steel	8,70	414475-72	20°	28W	40°	30°	2000	OK	OK		734,4lm
3,3W LED yellow	s. steel	8,70	414475-73	20°	28W	40°	30°	2000	OK	OK		734,4lm
3,3W LED green	s. steel	8,70	414475-74	20°	28W	40°	30°	2000	OK	OK		1616lm

On request: 8° and 40°.  
 Incorporated power supply 220-240V 50/60 Hz.



**Housing:** recessed stainless steel version with AISI 316L steel frame.  
**Diffuser:** satin tempered shock, resistant to impacts, thermal shocks and loads (max 2000 kg) 12 mm thick glass.



DMX inside



1785 Sicura - Power LED RGB fullcolor												
wattage (350mA)	colour	CLD CTL		Beam angle	W tot	temperature and load				LED (Ta=25°C)		
		weight	code			Max T. on glass		max load kg	can be walked on	can bear vehicle loads	ølm 350 mA	
						ta 25°	ta 15°					
4,5 W LED Fullcolor	s. steel	8,70	414490-00	40°	27W	40	30	2000	OK	OK		6 x 105lm

DMX control inside.  
 Incorporated power supply 220-240V 50/60 Hz.