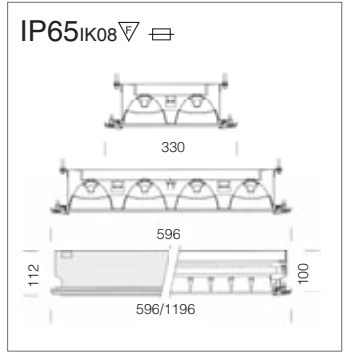


Interbalkan Medical Centre - Athens



Housing: pressed steel with anodized extruded aluminium frame.

Diffuser: protective 4-mm thick tempered glass or opal/frosted polycarbonate diffuser.

Coating: white epoxy-polyester powder, UV stabilized for aseptic environments.

Electric gear: 230V/240V-50Hz/60Hz power supply with electronic ballast.

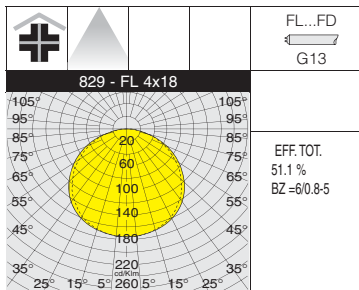
Equipment: 6.3A protection fuse. Supplied with frame and gasket.

Installation: unsuitable for mounting in non-inspectionable false ceilings.

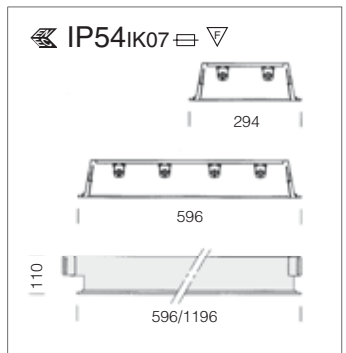
843 Ermetica - matt optics + glass

wattage	colour	CELL-F		CELL-E		Lamps (Ta=25°C)
		weight	code	weight	code	Kelvin - olm - Cd - Ra
FL 2x28	anodis.	12.00	152070-00	12.50	152070-07	4000K - 2650lm
FL 2x54	anodis.	12.00	152071-00	12.50	152071-07	4000K - 4450lm
FL 4x14	anodis.	11.00	152072-00	11.80	152072-07	4000K - 1250lm
FL 4x24	anodis.	11.00	152073-00	11.80	152073-07	4000K - 1750lm
FL 4x28	anodis.	21.00	152074-00			4000K - 2650lm
FL 4x54	anodis.	21.00	152075-00	19.70	152075-07	4000K - 4450lm

Dark light Optics: double parabolic louvres, in anodised 2mm thick matt aluminium. Anti-glare and anti-iridescence, very low luminance.



S. Elia Hospital - Caltanissetta (Italy)



Housing/frame: in steel sheet.

Diffuser: flat, prismatic glass.

Coating: white epoxy-polyester powder, UV stabilized for aseptic environments.

Optic unit: white reflective part.

829 Ermetica - with prismatic glass

wattage	colour	CEL-F		CEL-E	
		weight	code	weight	code
FL2x18	white	6.00	152180-08	7.00	152180-09
FL2x36	white	10.00	152181-08	10.50	152181-09
FL4x18	white	8.50	152182-08	9.50	152182-09